

PRODUCT INFORMATION PACKET

Model No: 184TCFR7726
Catalog No: I213
3,1800,TEFC,184T,1/60/115/208-230
Totally Enclosed Fan Cooled (TEFC)



Regal and Marathon are trademarks of Regal Beloit Corporation or one of its affiliated companies.
©2019 Regal Beloit Corporation, All Rights Reserved. MC017097E





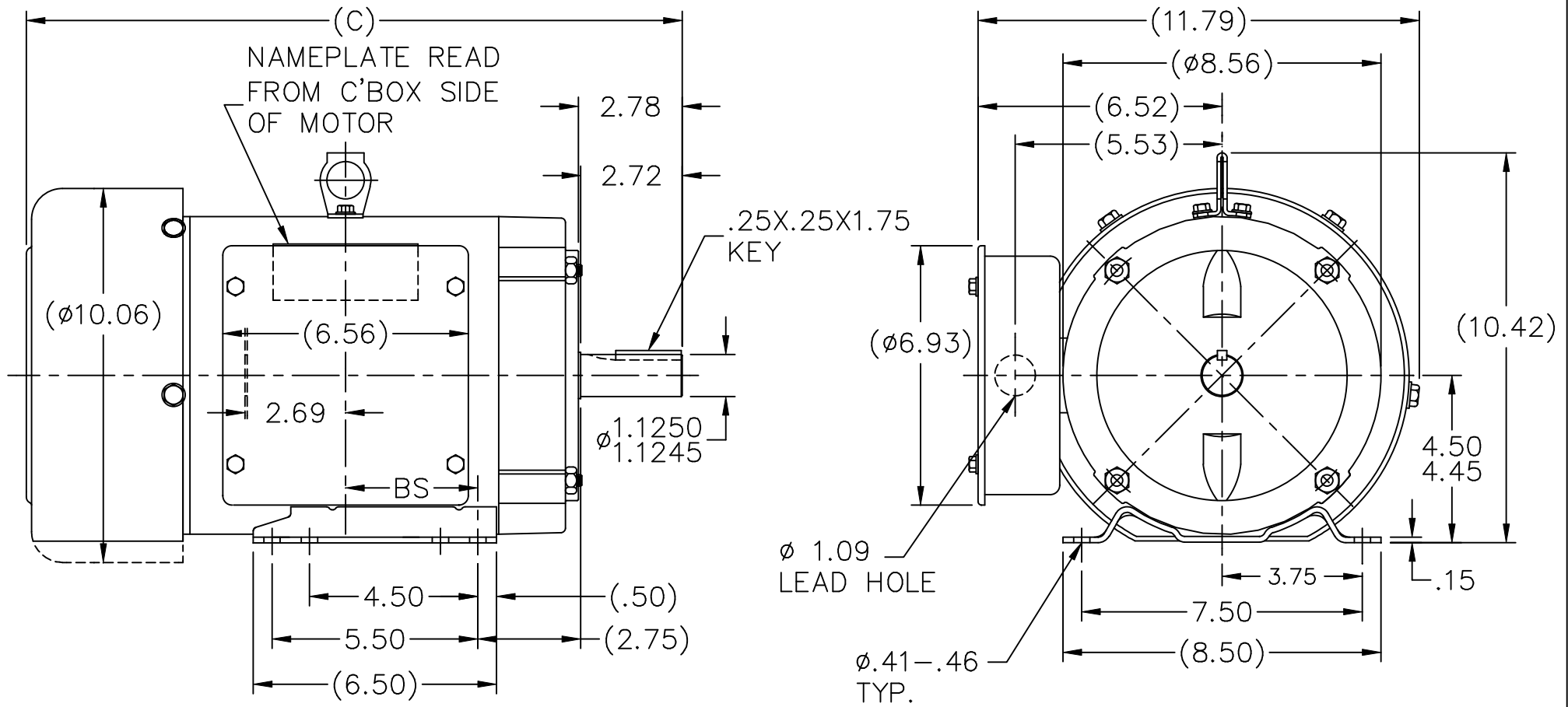
Nameplate Specifications

Output HP	3 HP	Output KW	2.24 kW
Frequency	60 Hz	Voltage	115/208-230 V
Current	34/17.6-17 A	Speed	1761 RPM
Service Factor	1	Phase	1
Efficiency	77 %	Duty	CONTINUOUS
Insulation Class	B	Design Code	L
KVA Code	J	Frame	184T
Enclosure	TEFC	Overload Protector	NOT
Ambient Temperature	40 °C	Drive End Bearing Size	6206
Opp Drive End Bearing Size	6205	UL	Recognized
CSA	Y	CE	Y
IP Code	43		

Technical Specifications

Electrical Type	CAP START IND RUN	Starting Method	ACROSS THE LINE
Poles	4	Rotation	SELECTIVE CCW
Mounting	RIGID	Motor Orientation	HORIZONTAL
Drive End Bearing	BALL	Opp Drive End Bearing	BALL
Frame Material	ROLLED STEEL	Shaft Type	T
Overall Length	18.03 in	Frame Length	8.75 in
Shaft Diameter	1.13 in	Shaft Extension	2.75 in
Assembly/Box Mounting	F1 ONLY		
Outline Drawing	A-SS65660-875	Connection Diagram	A-EE7085FR

This is an uncontrolled document once printed or downloaded and is subject to change without notice. Date Created: 09/23/2019

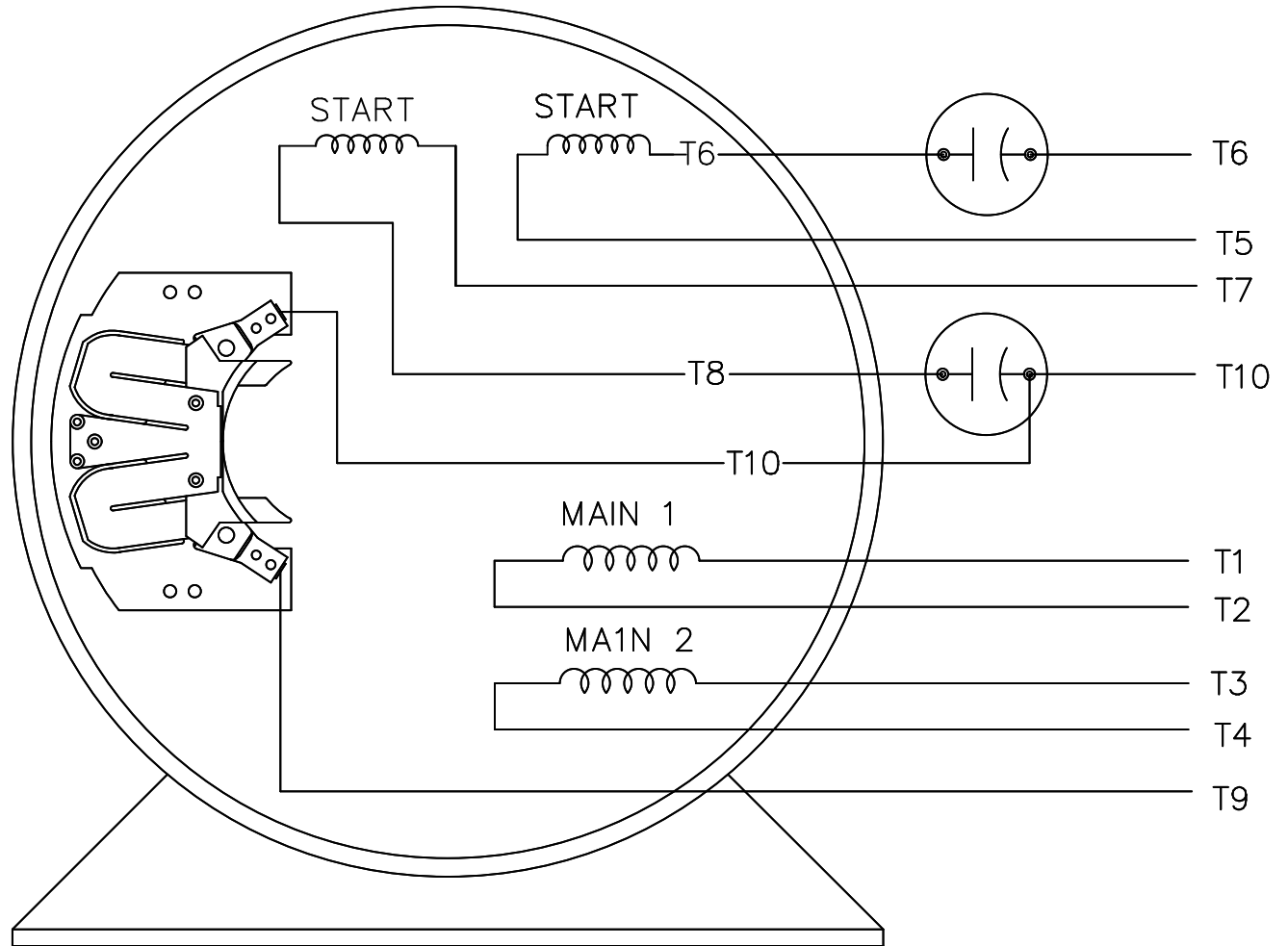
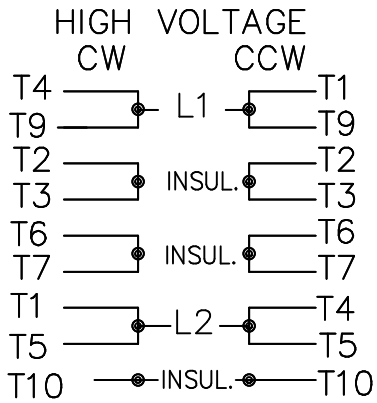
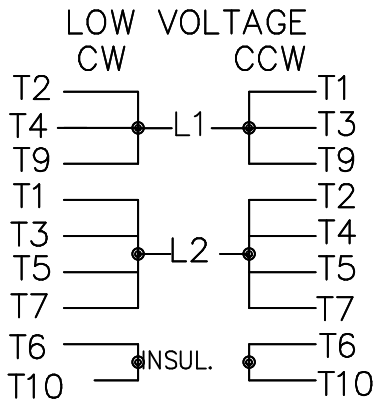


DASH	FR.	C	BS	DASH	FR.	C	BS
575	182T	15.03	2.25	675	184T	16.03	2.75
625	182T	15.53	2.50	775	184T	17.03	3.25
675	182T	16.03	2.75	825	184T	17.53	3.50
725	182T	16.53	3.00	875	184T	18.03	3.75

BOX CAN BE ROTATED IN 90° STEPS.

NO.	REVISION	BY & DATE	CHK	TOLERANCES UNLESS SPECIFIED	
				DEC.	INCHES
8	REDRAWN IN AUTOCAD	TAT 06-13-2005	ML	.X	$\pm .1$
7	ADDED LIFT LUG CN 34025	NJS 07-11-2001		.XX	$\pm .03$
6	CORRECTED 'C' DIMENSION CN 31178	TJB 06-18-2001		.XXX	$\pm .005$
5	REMOVED EYEBOLT	BLR 11-29-1995		.XXXX	$\pm .0005$
				ANG	$\pm 7'30''$

	DRAWN	KL 06-20-1994
	CHK	ML 06-24-1994
	APPD	GK 06-24-1994
TITLE	OUTLINE	SCALE 1=4
180T FR. - BB - SCS - TEFC		REF
MAT'L.		FMF
FINISH		PREV
RFP	CAD FILE ss65660	SIZE A
DIST LB		DRAWING NO. SS65660
		PAGE OF 8
		REV. 8



VIEW OF TERMINAL END

		TOLERANCES UNLESS SPECIFIED		MARATHON ELECTRIC		DRAWN GK 09-24-1986	
		DEC.	INCHES			CHK ML 09-24-1986	APPD FG 09-24-1986
			.X ± -	TITLE CONNECTION DIAGRAM		SCALE 1=1	
2	REDRAWN IN AUTOCAD	RWR 08-02-2004	.XXX ± -			MAT'L. 180-210 SWITCH	
1	NEW DRAWING CN7664C	GK 11-06-1986	.XXXX ± -	FINISH			
NO.	REVISION	BY & DATE	CHK ANG ± -			CAD FILE EE7085FR	
THIS DRAWING IN DESIGN AND DETAIL IS OUR PROPERTY AND MUST NOT BE USED EXCEPT IN CONNECTION WITH OUR WORK ALL RIGHTS OF DESIGN AND INVENTION ARE RESERVED THIS IS AN ELECTRONICALLY GENERATED DOCUMENT - DO NOT SCALE THIS PRINT				RFP	SIZE A		
				DIST LB			REV. 2