

PRODUCT INFORMATION PACKET

Model No: 184TBFR7070
Catalog No: Z114
5,1800,TEFC,184T,1/60/208-230
Single Phase



Regal and Marathon are trademarks of Regal Beloit Corporation or one of its affiliated companies.
©2019 Regal Beloit Corporation, All Rights Reserved. MC017097E





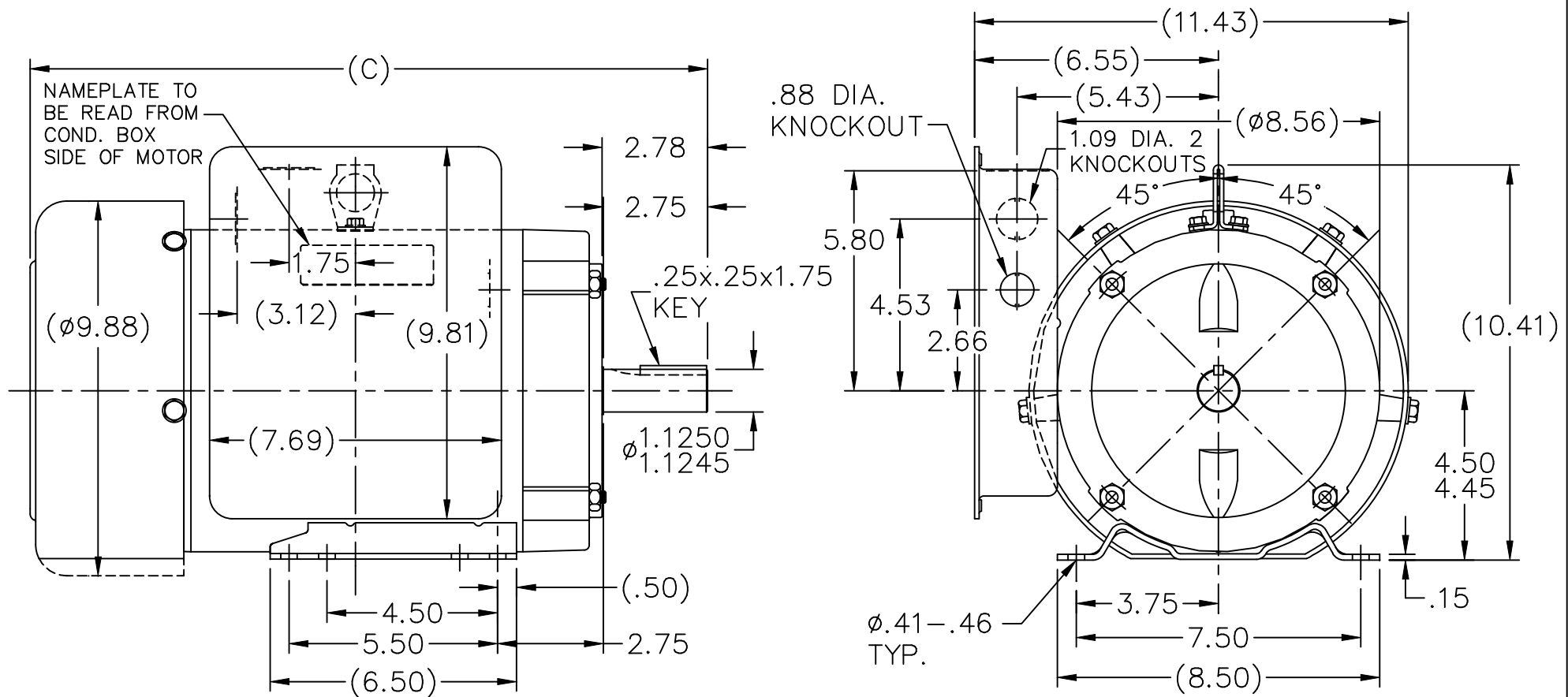
Nameplate Specifications

Output HP	5 HP	Output KW	3.70 kW
Frequency	60 Hz	Voltage	208-230 V
Current	23.5-22.5-22.5 A	Speed	1740 RPM
Service Factor	1.15	Phase	1
Efficiency	84 %	Duty	CONTINUOUS
Insulation Class	F	Design Code	NO DESIGN CODE
KVA Code	J	Frame	184T
Enclosure	TEFC	Overload Protector	MANUAL
Ambient Temperature	40 °C	Drive End Bearing Size	6206
Opp Drive End Bearing Size	6205	UL	Recognized (Not Protector)
CSA	Y	CE	Y
IP Code	43		

Technical Specifications

Electrical Type	CAP START CAP RUN	Starting Method	ACROSS THE LINE
Poles	4	Rotation	SELECTIVE CCW
Mounting	RIGID	Motor Orientation	HORIZONTAL
Drive End Bearing	BALL	Opp Drive End Bearing	BALL
Frame Material	ROLLED STEEL	Shaft Type	T
Overall Length	17.36 in	Frame Length	8.25 in
Shaft Diameter	1.13 in	Shaft Extension	2.75 in
Assembly/Box Mounting	F1 ONLY		
Outline Drawing	A-SS68062-825	Connection Diagram	A-EE9048LW

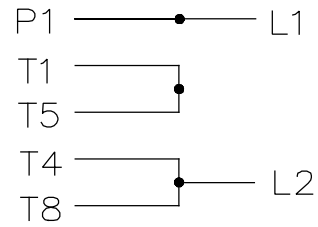
This is an uncontrolled document once printed or downloaded and is subject to change without notice. Date Created: 09/23/2019



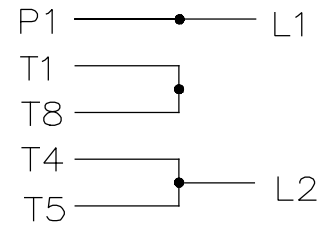
DASH	FR.	C	BS
825	184T	17.36	3.50

				TOLERANCES UNLESS SPECIFIED		MARATHON ELECTRIC	DRAWN KL 10-29-1993				
				DEC.	INCHES		CHK	ML 11-01-1993	APPD	CK 11-01-1993	
5	REDRAWN IN AUTOCAD	TAT 06-13-2005	ML	.X	$\pm .1$	TITLE OUTLINE 180 FR.	SCALE 1=4				
4	ADDED LIFT LUG CN 34025	NJS 07-11-2001		.XX	$\pm .03$		REF				
3	ADDED NEW BASE (68105-2) CN 14442	MRB 11-07-1995		.XXX	$\pm .005$		FMF				
2	RE-ISSUE STD. TOL. BLOCK	LZ 06-09-1994		.XXXX	$\pm .0005$		PREV				
NO.	REVISION	BY & DATE	CHK	ANG	$\pm 7'30''$						
THIS DRAWING IN DESIGN AND DETAIL IS OUR PROPERTY AND MUST NOT BE USED EXCEPT IN CONNECTION WITH OUR WORK ALL RIGHTS OF DESIGN AND INVENTION ARE RESERVED THIS IS AN ELECTRONICALLY GENERATED DOCUMENT - DO NOT SCALE THIS PRINT				RFP	CAD FILE ss68062		SIZE	DRAWING NO.	PAGE	OF	REV.
				DIST	LB	A	SS68062			5	

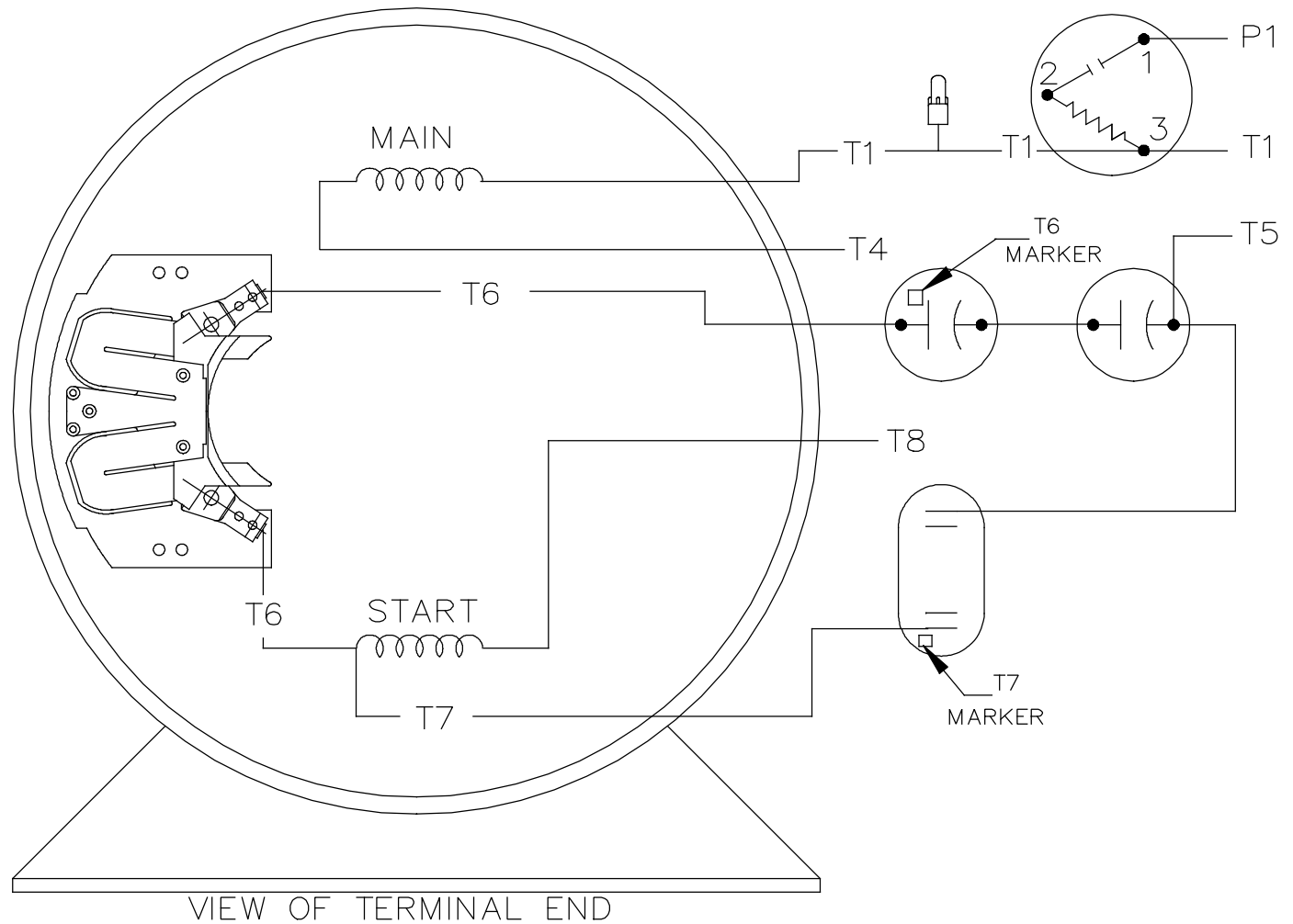
C.W. ROTATION



C.C.W. ROTATION



SINGLE VOLTAGE
CAPACITOR START
CAPACITOR RUN
REVERSIBLE



VIEW OF TERMINAL END

				TOLERANCES UNLESS SPECIFIED		REGAL TM Regal Beloit America, Inc.	DRAWN GK 11-05-1986		
				DEC.	INCHES		CHK ML 11-05-1986	APPD FG 11-06-1986	
				.X	±.1	TITLE CONNECTION DIAGRAM	SCALE 1=1		
2	LOGO CHANGED TO REGAL.	NK 11-29-2018	MSD .XXX	±.005			REF		
1	NEW DRAWING CN7664C	GK 11-06-1986	.XXXX	±.0005	MAT'L.		FMF		
NO.	REVISION	BY & DATE	CHK	ANG	±7'30"	FINISH	PREV		
THIS DRAWING IN DESIGN AND DETAIL IS OUR PROPERTY AND MUST NOT BE USED EXCEPT IN CONNECTION WITH OUR WORK ALL RIGHTS OF DESIGN AND INVENTION ARE RESERVED THIS IS AN ELECTRONICALLY GENERATED DOCUMENT - DO NOT SCALE THIS PRINT			RFP	CAD FILE EE9048LW		SIZE A	DRAWING NO. EE9048LW	PAGE OF 2	REV. 2
			DIST	WA					