

PRODUCT INFORMATION PACKET

Model No: 184TBDR7631
Catalog No: I128
3,1800,DP,184T,1/60/208-230
Pressure Washers



Regal and Marathon are trademarks of Regal Beloit Corporation or one of its affiliated companies.
©2019 Regal Beloit Corporation, All Rights Reserved. MC017097E





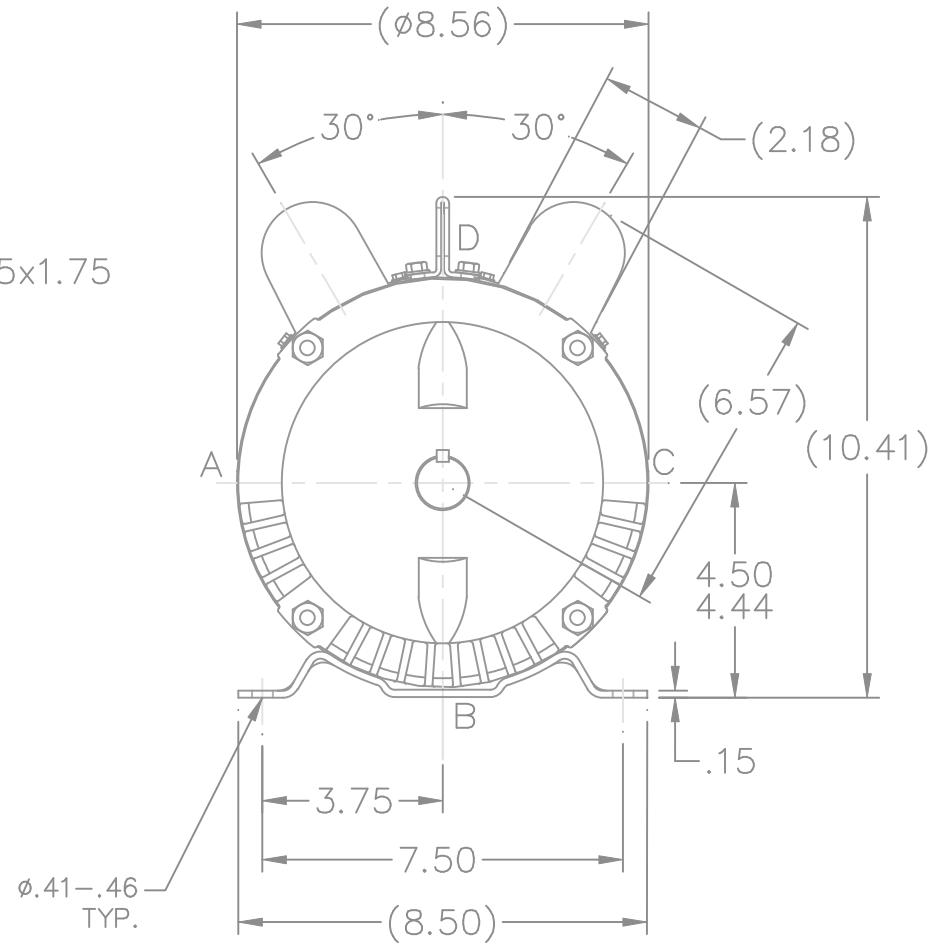
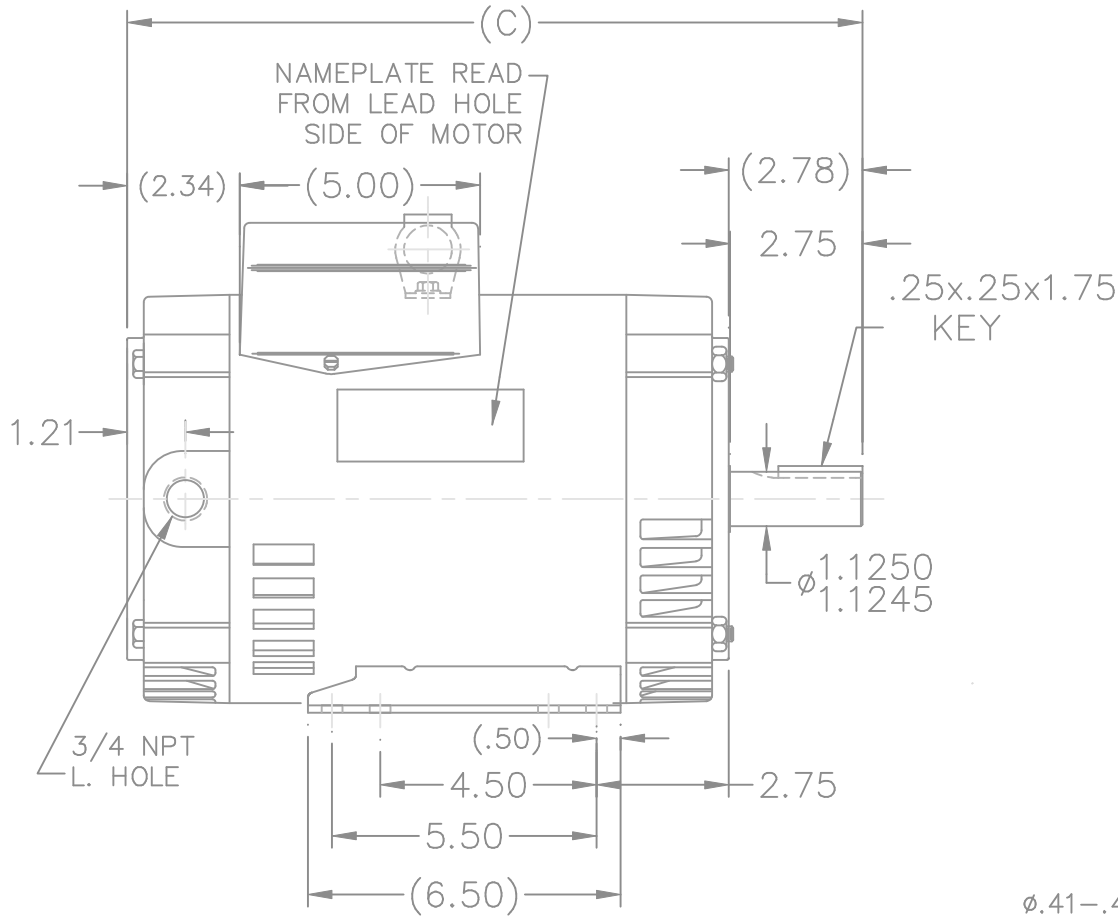
Nameplate Specifications

Output HP	3 HP	Output KW	2.24 kW
Frequency	60 Hz	Voltage	208-230 V
Current	15.4-13.7-13.7 A	Speed	1750 RPM
Service Factor	1.15	Phase	1
Efficiency	82.5 %	Duty	CONTINUOUS
Insulation Class	B	Design Code	NO DESIGN CODE
KVA Code	H	Frame	184T
Enclosure	DP	Overload Protector	NOT
Ambient Temperature	40 °C	Drive End Bearing Size	6206
Opp Drive End Bearing Size	6205	UL	Recognized
CSA	Y	CE	Y
IP Code	22		


Technical Specifications

Electrical Type	CAP START CAP RUN	Starting Method	ACROSS THE LINE
Poles	4	Rotation	SELECTIVE CW
Mounting	RIGID	Motor Orientation	HORIZONTAL
Drive End Bearing	BALL	Opp Drive End Bearing	BALL
Frame Material	ROLLED STEEL	Shaft Type	T
Overall Length	15.29 in	Frame Length	8.25 in
Shaft Diameter	1.13 in	Shaft Extension	2.75 in
Assembly/Box Mounting	F1 ONLY		
Outline Drawing	A-SS67836-825	Connection Diagram	A-EE9048MA

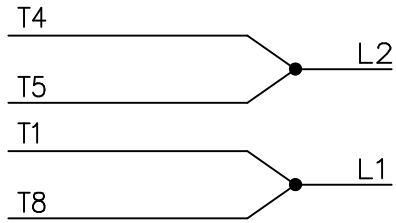
This is an uncontrolled document once printed or downloaded and is subject to change without notice. Date Created: 09/23/2019



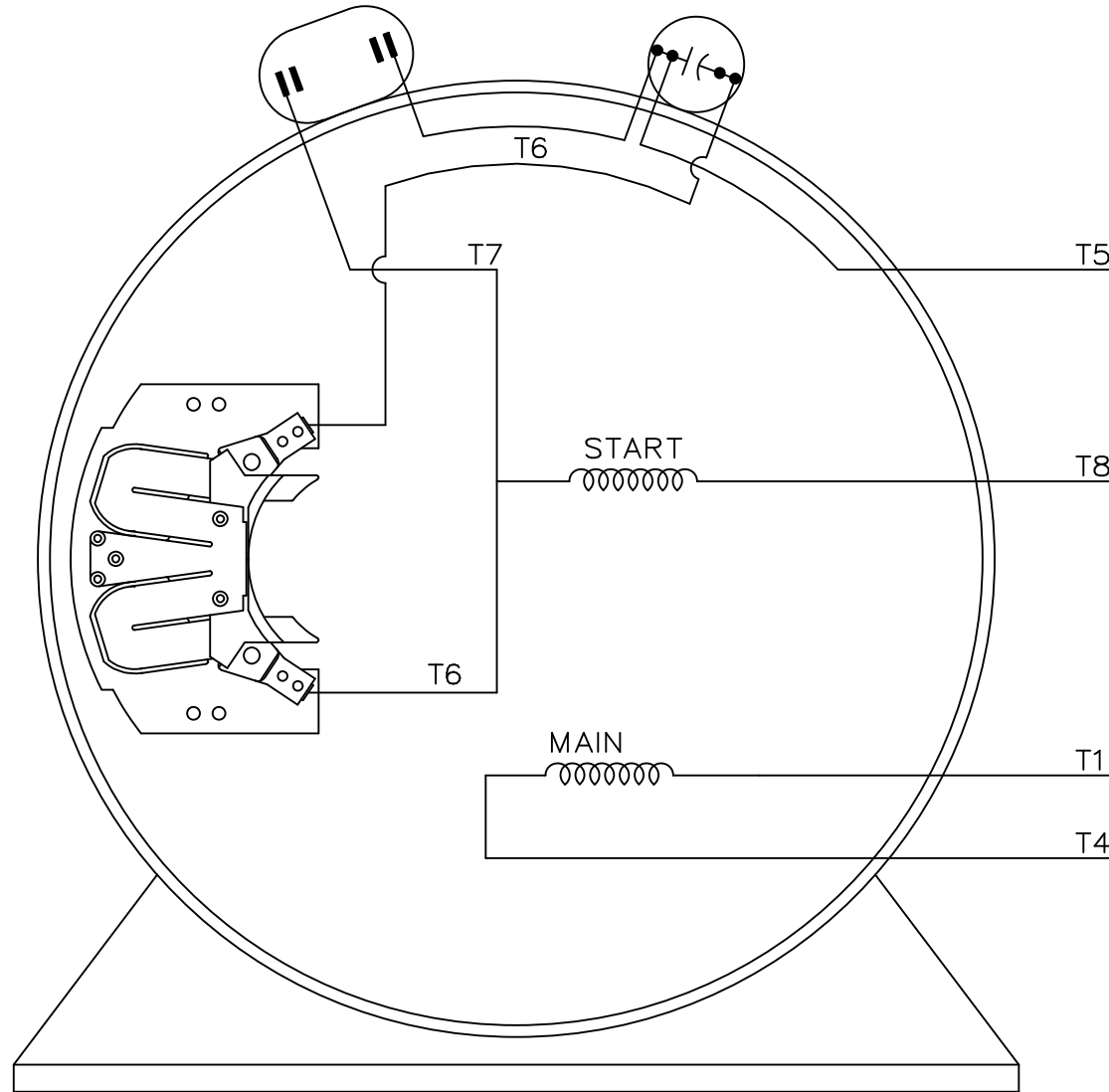
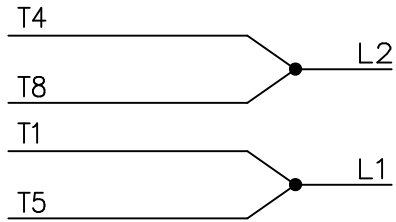
DASH	FR.	C
825	182T	15.29
825	184T	15.29
875	184T	15.79
925	184T	16.29

			TOLERANCES UNLESS SPECIFIED			DRAWN LZ 09-18-1994					
			DEC.	INCHES		CHK	ML	09-29-1994			
5	ADDED LIFT LUG	CN34025	HLB	07-19-2001	.X	±.1	APPD	GK	09-29-1994	SCALE	1=4
4	CLARIFIED REMOVAL OF EYEBOLT CLARIFIED SHAFT DIA.	CN23925-617	MRB	11-21-1997	.XX	±.03	REF	A-SS67836	FMF		
3	ADDED NEW BASE (68105-2)	CN14442	MRB	11-06-1995	.XXX	±.005	PREV				
NO.	REVISION	BY & DATE	CHK	ANG	±1/2'	FINISH					
THIS DRAWING IN DESIGN AND DETAIL IS OUR PROPERTY AND MUST NOT BE USED EXCEPT IN CONNECTION WITH OUR WORK ALL RIGHTS OF DESIGN AND INVENTION ARE RESERVED THIS IS AN ELECTRONICALLY GENERATED DOCUMENT - DO NOT SCALE THIS PRINT			RFP	09-29-1994	CAD FILE	SS67836	SIZE	DRAWING NO.	PAGE	OF	REV.
			DIST	LB			A	SS67836			5

C.C.W. ROTATION




C.W. ROTATION



SINGLE VOLTAGE
CAPACITOR START
CAPACITOR RUN
REVERSIBLE

VIEW OF TERMINAL END

				TOLERANCES UNLESS SPECIFIED			DRAWN GK 01-10-1987		
				DEC.	INCHES		CHK		
				.X	± -		APPD		
				.XX	± -		SCALE		
				.XXX	± -		REF		
1	NEW DRAWING	CN-7664C	GK 01-10-1987	.XXXX	± -	TITLE CONNECTION DIAGRAM 180 -210 SWITCH		FMF	
NO.	REVISION	BY & DATE	CHK	ANG	± -	FINISH		PREV	
THIS DRAWING IN DESIGN AND DETAIL IS OUR PROPERTY AND MUST NOT BE USED EXCEPT IN CONNECTION WITH OUR WORK ALL RIGHTS OF DESIGN AND INVENTION ARE RESERVED THIS IS AN ELECTRONICALLY GENERATED DOCUMENT - DO NOT SCALE THIS PRINT				RFP	CAD FILE EE9048MA		SIZE A	DRAWING NO. EE9048MA	REV. 1
				DIST					

ERROR: undefined
OFFENDING COMMAND: my

STACK:

/\$x