

PRODUCT INFORMATION PACKET

Model No: 182TTGS4001
Catalog No: U060
3,3600,EPFC,182T,3/60/230/460
Other Purpose



Regal and Marathon are trademarks of Regal Beloit Corporation or one of its affiliated companies.
©2019 Regal Beloit Corporation, All Rights Reserved. MC017097E



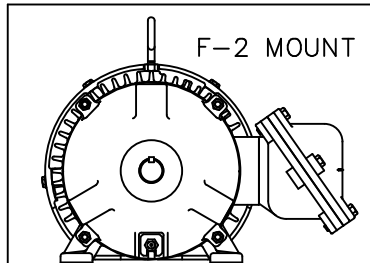
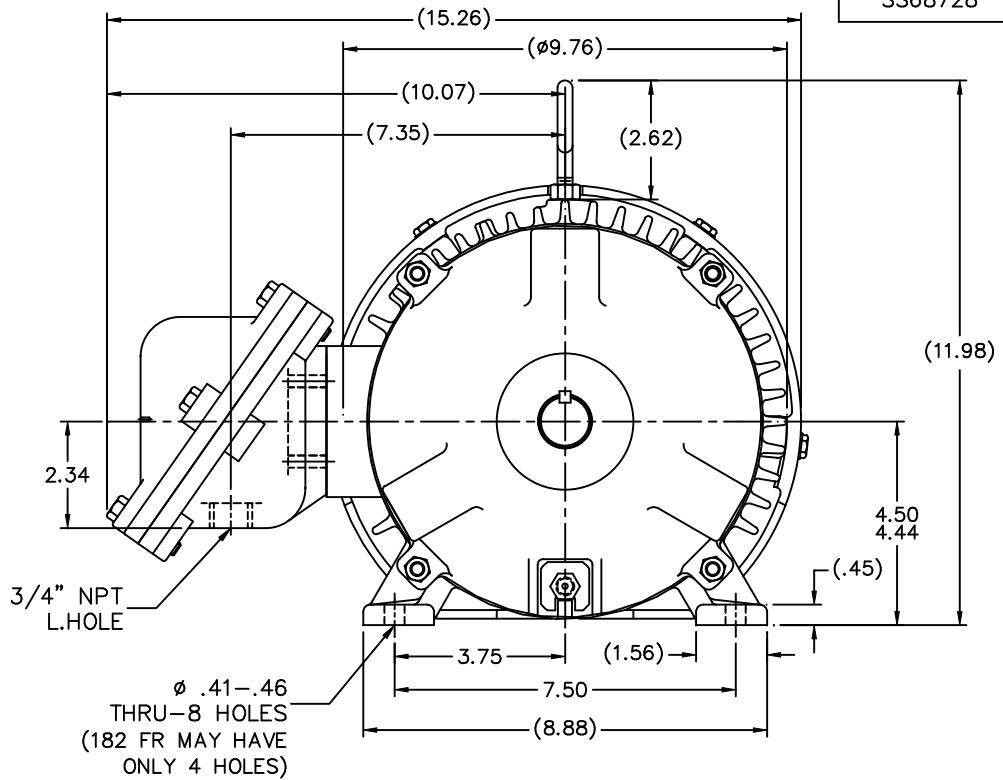
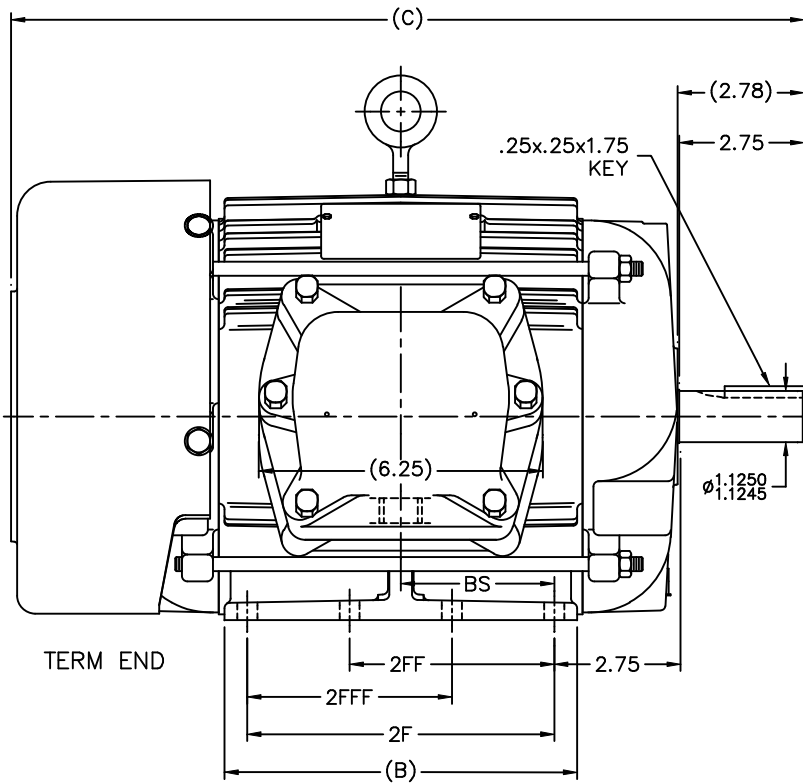
Nameplate Specifications

Output HP	3 HP	Output KW	2.2 kW
Frequency	60 Hz	Voltage	208-230/460 V
Current	8.4-7.4/3.7 A	Speed	3480 RPM
Service Factor	1.15	Phase	3
Efficiency	85.5 %	Duty	Continuous
Insulation Class	F	Design Code	B
KVA Code	J	Frame	182T
Enclosure	Explosion Proof Fan cooled	Overload Protector	No
Ambient Temperature	40 °C	Drive End Bearing Size	6206
Opp Drive End Bearing Size	6205	UL	Listed
CSA	Y	CE	N
IP Code	54		

Technical Specifications

Electrical Type	Squirrel Cage Inverter Rated	Starting Method	Line Or Inverter
Poles	2	Rotation	Reversible
Mounting	Rigid Base	Motor Orientation	Horizontal
Drive End Bearing	Ball	Opp Drive End Bearing	Ball
Frame Material	Cast Iron	Shaft Type	T
Overall Length	16.19 in	Frame Length	6.75 in
Shaft Diameter	1.125 in	Shaft Extension	2.78 in
Assembly/Box Mounting	F1 ONLY		
Outline Drawing	B-SS68728-675	Connection Diagram	A-EE7308T

This is an uncontrolled document once printed or downloaded and is subject to change without notice. Date Created: 10/17/2019



- NOTES:
 1- CONDUIT BOX CAN BE ROTATED IN 90° STEPS.
 2- CONDUIT BOX CAN BE MOUNTED ON OPPOSITE SIDE BY REMOVING BRACKETS AND TURNING FRAME 180°. THIS MODIFICATION CAN BE PERFORMED ONLY BY THE ORIGINAL EQUIPMENT MANUFACTURER, OR BY A FACILITY THAT IS COVERED UNDER UNDERWRITERS LABORATORIES INC. CATEGORY PTKQ, TITLED "MOTORS AND GENERATORS, REBUILT FOR USE IN HAZARDOUS LOCATIONS".
 3- NAMEPLATE TO BE READ FROM CONDUIT BOX SIDE OF MOTOR.

DASH	FRAME	B	2F	2FF	2FFF	BS	C CAST FAN GUARD	C STEEL FAN GUARD
575	182T	5.50	4.50	-	-	2.25	15.19	14.87
675	182T	6.50	5.50	-	-	2.75	16.19	15.87
675	182/4T	6.50	5.50	4.50	4.50	2.75	16.19	15.87
800	182T	7.75	6.75	4.50	4.50	3.37	17.44	17.12
800	184T	7.75	6.75	5.50	5.50	3.37	17.44	17.12

8	ADD EXPLOSION-PROOF NOTE AND ARRANGE TO STD.	RWR 11-20-2006	ML	DEC.	INCHES		DRAWN DRS 02-10-1999
	PER MU76518	CAV 11-14-2005	ML	.X	±.1		CHK ML 03-01-1999
7	ADDED F-2 VIEW MU69527	DRS 09-26-2002	ML	.XX	±.03	TITLE OUTLINE	APPD GK 03-01-1999
6	UPDATED C'BOX GEOMETRY CN 31842	CTO 01-17-2002	ML	.XXX	±.005	180-184T FR. - BB - TS - EPFC	SCALE 3=8
5	REMOVED HOLE FROM FAN GUARD	TJB 05-03-2001	ML	.XXXX	±.0005	MAT'L	REF
4	REVISED DASH 675 TO READ 182/4T CN 27451		CHK	ANG	±7'30"	FINISH	FMF
NO.	REVISION	BY & DATE					PREV
THIS DRAWING IN DESIGN AND DETAIL IS OUR PROPERTY AND MUST NOT BE USED EXCEPT IN CONNECTION WITH OUR WORK ALL RIGHTS OF DESIGN AND INVENTION ARE RESERVED THIS IS AN ELECTRONICALLY GENERATED DOCUMENT - DO NOT SCALE THIS PRINT						RFP	CAD FILE ss68728
						DIST LB	SIZE B
						DRAWING NO.	SS68728
						PAGE	8
						OF	
						REV.	

HIGH VOLTAGE



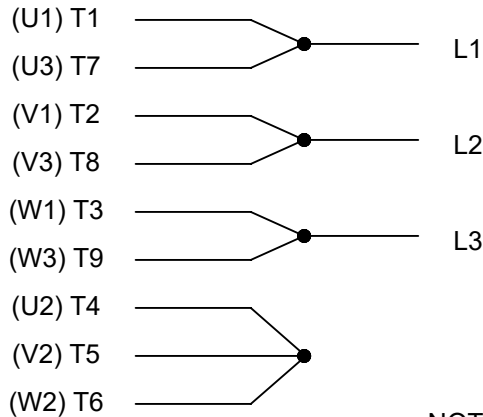
**THREE PHASE
DUAL VOLTAGE MOTOR**

THERMO-PROTECTORS
CONNECTED IN SERIES



**NOTE FOR FACTORY USE ONLY:
TO SURGE TEST FOR COMMON CONNECT:
HIGH VOLT: CONNECT P1 TO T1
THEN P2 TO L1
LOW VOLT: CONNECT P1 TO T1 & T7,
THEN P2 TO L1**

LOW VOLTAGE



VIEW OF TERMINAL END

NOTE: LEAD'S COLOR CAN BE YELLOW OR WHITE FOR MT2 PLANT

DRAWING REVISION T	REVISION BY ZR	DATE 01-14-2019		DRAWN BY SMC	Regal Beloit America, Inc.
ECO ECO-0159915	APPROVED BY DR	DATE 01-15-2019		DATE 05-13-1992	
ECO DESCRIPTION ADDED TERMINAL CONNECTION DIAGRAM				APPROVED BY TB	DESCRIPTION CONN DIAGRAM-INTERNAL 3 PHASE - DUAL VOLTAGE MOTOR
<small>COPYRIGHT REGAL BELOIT AMERICA, INC. ALL RIGHTS RESERVED. PROPRIETARY AND CONFIDENTIAL INFORMATION - THIS DOCUMENT IS THE PROPERTY OF REGAL BELOIT AMERICA, INC. ("OWNER") AND CONTAINS OWNER'S PROPRIETARY INFORMATION. ANY PERSON, CORPORATION OR OTHER FIRM RECEIVING IT IS DEEMED, BY RECEIVING IT, TO AGREE THAT IT, AND/OR ANY PART OF IT, SHALL NOT BE DISCLOSED TO ANY PERSON, CORPORATION OR OTHER ENTITY, DUPLICATED, AND/OR USED, EXCEPT AS EXPRESSLY APPROVED IN WRITING IN ADVANCE BY OWNER. THIS DOCUMENT SHALL BE RETURNED TO OWNER UPON REQUEST. IT MAY BE SUBJECT TO CERTAIN RESTRICTIONS UNDER APPLICABLE EXPORT CONTROL LAWS AND REGULATIONS.</small>			DATE 05-13-1992	MATERIAL	PROCESS/FINISH
			REFERENCE EE7308/EE7300	THIRD ANGLE PROJECTION	SIZE A