

# PRODUCT INFORMATION PACKET

Model No: 182TTGN4315  
Catalog No: C303A  
3,3600,EPFC,182TC,3/60/230/460  
Explosion Proof



Regal and Marathon are trademarks of Regal Beloit Corporation or one of its affiliated companies.  
©2019 Regal Beloit Corporation, All Rights Reserved. MC017097E



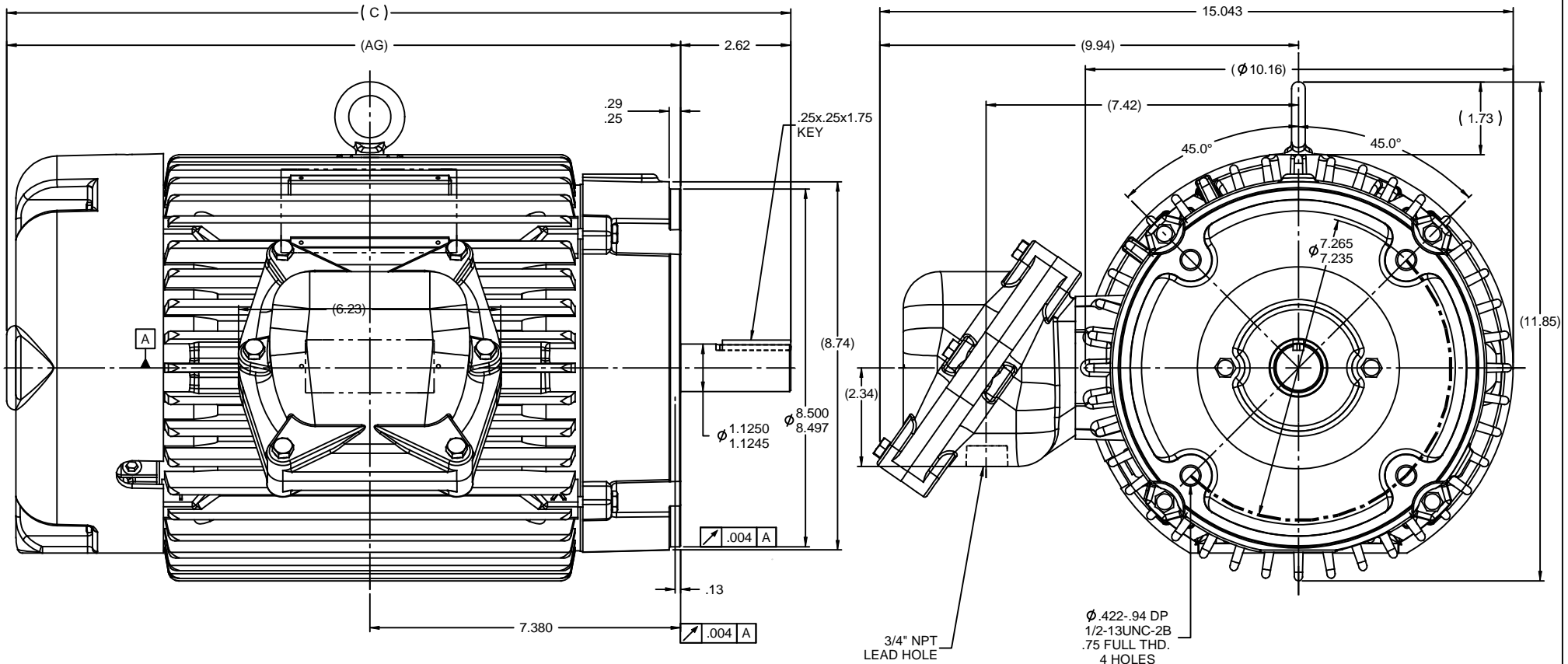
### Nameplate Specifications

Output HP	<b>3 HP</b>	Output KW	<b>2.2 kW</b>
Frequency	<b>60 Hz</b>	Voltage	<b>230/460 V</b>
Current	<b>7.4/3.7 A</b>	Speed	<b>3480 RPM</b>
Service Factor	<b>1</b>	Phase	<b>3</b>
Efficiency	<b>85.5 %</b>	Duty	<b>Continuous</b>
Insulation Class	<b>F</b>	Design Code	<b>B</b>
KVA Code	<b>J</b>	Frame	<b>182TC</b>
Enclosure	<b>Explosion Proof Fan cooled</b>	Overload Protector	<b>No</b>
Ambient Temperature	<b>40 °C</b>	Drive End Bearing Size	<b>6207</b>
Opp Drive End Bearing Size	<b>6206</b>	UL	<b>UL Listed; also, UL Certified for Canada</b>
CSA	<b>N</b>	CE	<b>N</b>
IP Code	<b>54</b>		

### Technical Specifications

Electrical Type	<b>Squirrel Cage Induction Run</b>	Starting Method	<b>Across The Line</b>
Poles	<b>2</b>	Rotation	<b>Reversible</b>
Mounting	<b>Round</b>	Motor Orientation	<b>Horizontal</b>
Drive End Bearing	<b>Ball</b>	Opp Drive End Bearing	<b>Ball</b>
Frame Material	<b>Cast Iron</b>	Shaft Type	<b>T</b>
Overall Length	<b>18.62 in</b>	Frame Length	<b>10.00 in</b>
Shaft Diameter	<b>1.125 in</b>	Shaft Extension	<b>2.62 in</b>
Assembly/Box Mounting	<b>F1 ONLY</b>		
Outline Drawing	<b>035694-1000</b>	Connection Diagram	<b>A-EE7308T</b>

This is an uncontrolled document once printed or downloaded and is subject to change without notice. Date Created: 09/23/2019



NOTES:

1. NAMEPLATE TO BE READ FROM CONDUIT BOX SIDE OF MOTOR.
2. CONDUIT BOX CAN ROTATED IN 90° STEPS.
3. CONDUIT BOX CAN BE MOUNTED ON OPPOSITE SIDE BY REMOVING BRACKETS AND TURNING FRAME 180° THIS MODIFICATION CAN BE PERFORMED ONLY BY MARATHON ELECTRIC OR BY A FACILITY THAT IS COVERED UNDER UNDERWRITERS LABORATORIES INC.PTKQ, TITLED " MOTOR AND GENERATORS, REBUILT FOR USE HAZARDOUS LOCATIONS".

1000	182/184	18.62	16.00	7.38
DASH	FRAME	C	AG	BV

		TOLERANCES UNLESS SPECIFIED			DRAWN ST 8-07-2008
	DEC	INCHES			CHK VV 8-07-2008
	X	±.1			APPR
	XX	±.03			SCALE 7:16
	XXX	±.005		REF 035673	
	XXXX	±.0005		MATL	
NO	REVISION	BY & DATE	CHK ANG ±7'30"	FINISH	PREV
THIS DRAWING IN DESIGN AND DETAIL IS OUR PROPERTY AND MUST NOT BE USED EXCEPT IN CONNECTION WITH OUR WORK. ALL RIGHTS OF DESIGN AND INVENTION ARE RESERVED. THIS IS AN ELECTRONICALLY GENERATED DOCUMENT - DO NOT SCALE THIS PRINT				RFP	CAD FILE 035694
				DIST WA - NLV	SIZE <b>B</b>
					DRAWING NO <b>035694</b>
					REV

**HIGH VOLTAGE**



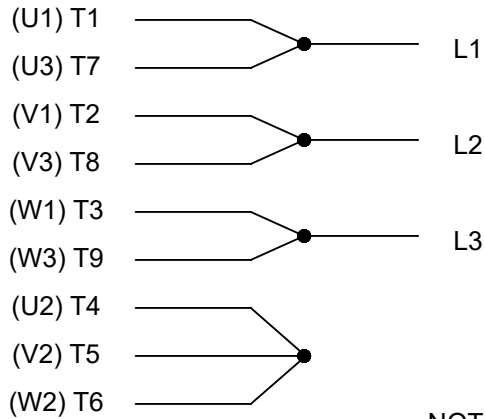
**THREE PHASE  
DUAL VOLTAGE MOTOR**

THERMO-PROTECTORS  
CONNECTED IN SERIES



**NOTE FOR FACTORY USE ONLY:  
TO SURGE TEST FOR COMMON CONNECT:  
HIGH VOLT: CONNECT P1 TO T1  
THEN P2 TO L1  
LOW VOLT: CONNECT P1 TO T1 & T7,  
THEN P2 TO L1**

**LOW VOLTAGE**



**VIEW OF TERMINAL END**

**NOTE: LEAD'S COLOR CAN BE YELLOW OR WHITE FOR MT2 PLANT**

DRAWING REVISION T	REVISION BY ZR	DATE 01-14-2019		DRAWN BY SMC	Regal Beloit America, Inc.
ECO ECO-0159915	APPROVED BY DR	DATE 01-15-2019		DATE 05-13-1992	
ECO DESCRIPTION <b>ADDED TERMINAL CONNECTION DIAGRAM</b>				APPROVED BY TB	DESCRIPTION <b>CONN DIAGRAM-INTERNAL</b> 3 PHASE - DUAL VOLTAGE MOTOR
<small>COPYRIGHT REGAL BELOIT AMERICA, INC. ALL RIGHTS RESERVED. PROPRIETARY AND CONFIDENTIAL INFORMATION - THIS DOCUMENT IS THE PROPERTY OF REGAL BELOIT AMERICA, INC. ("OWNER") AND CONTAINS OWNER'S PROPRIETARY INFORMATION. ANY PERSON, CORPORATION OR OTHER FIRM RECEIVING IT IS DEEMED, BY RECEIVING IT, TO AGREE THAT IT, AND/OR ANY PART OF IT, SHALL NOT BE DISCLOSED TO ANY PERSON, CORPORATION OR OTHER ENTITY, DUPLICATED, AND/OR USED, EXCEPT AS EXPRESSLY APPROVED IN WRITING IN ADVANCE BY OWNER. THIS DOCUMENT SHALL BE RETURNED TO OWNER UPON REQUEST. IT MAY BE SUBJECT TO CERTAIN RESTRICTIONS UNDER APPLICABLE EXPORT CONTROL LAWS AND REGULATIONS.</small>			DATE 05-13-1992	MATERIAL	PROCESS/FINISH
			REFERENCE EE7308/EE7300	SIZE A	DRAWING NUMBER EE7308T
			THIRD ANGLE PROJECTION		