

# PRODUCT INFORMATION PACKET

Model No: 182TTDW4036  
Catalog No: E147A  
3,1800,DP,182JMV,3/60/200  
JM



Regal and Marathon are trademarks of Regal Beloit Corporation or one of its affiliated companies.  
©2019 Regal Beloit Corporation, All Rights Reserved. MC017097E





### Nameplate Specifications

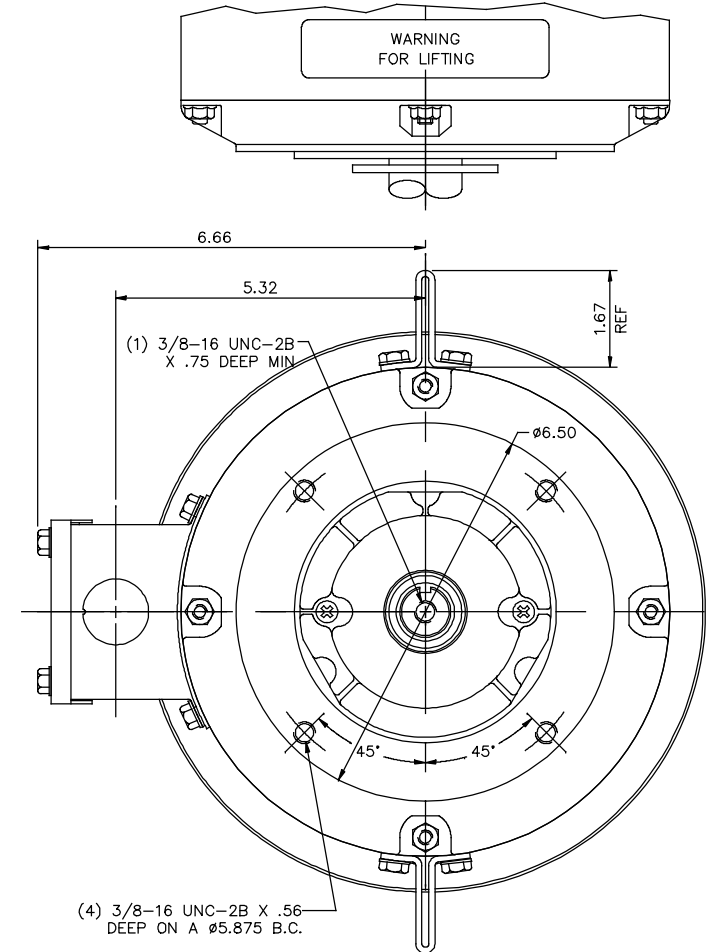
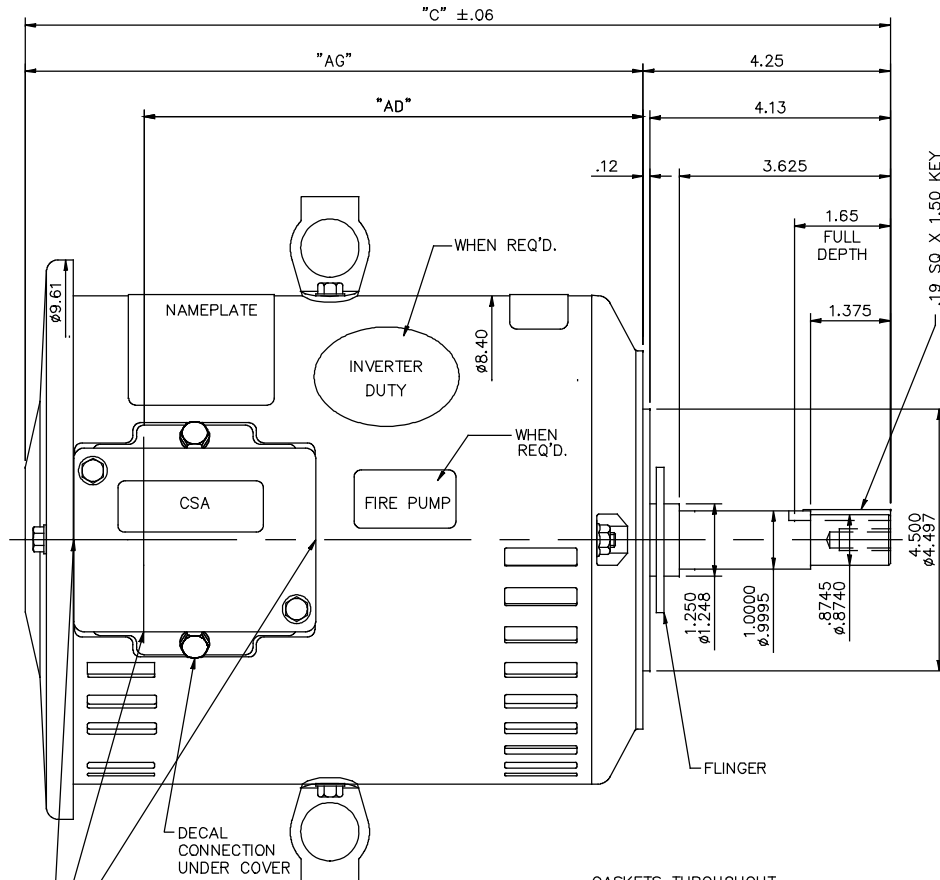
Output HP	<b>3 HP</b>	Output KW	<b>2.24 kW</b>
Frequency	<b>60 Hz</b>	Voltage	<b>200 V</b>
Current	<b>10.1 A</b>	Speed	<b>1765 RPM</b>
Service Factor	<b>1.15</b>	Phase	<b>3</b>
Efficiency	<b>86.5 %</b>	Duty	<b>CONTINUOUS</b>
Insulation Class	<b>F</b>	Design Code	<b>B</b>
KVA Code	<b>K</b>	Frame	<b>182JMV</b>
Enclosure	<b>DP</b>	Overload Protector	<b>NOT</b>
Ambient Temperature	<b>40 °C</b>	Drive End Bearing Size	<b>6207</b>
Opp Drive End Bearing Size	<b>6205</b>	UL	<b>Recognized</b>
CSA	<b>Y</b>	CE	<b>Y</b>
IP Code	<b>22</b>		

### Technical Specifications

Electrical Type	<b>SQ CAGE IND RUN</b>	Starting Method	<b>ACROSS THE LINE</b>
Poles	<b>4</b>	Rotation	<b>REV</b>
Mounting	<b>ROUND</b>	Motor Orientation	<b>SHAFT DOWN</b>
Drive End Bearing	<b>BALL</b>	Opp Drive End Bearing	<b>BALL</b>
Frame Material	<b>ROLLED STEEL</b>	Shaft Type	<b>JM</b>
Overall Length	<b>14.45 in</b>	Frame Length	<b>8.5 in</b>
Shaft Diameter	<b>.88 in</b>	Shaft Extension	<b>4.28 in</b>
Assembly/Box Mounting	<b>F1/F2 CAPABLE</b>		
Outline Drawing	<b>035547-850</b>	Connection Diagram	<b>005102.01ME</b>

This is an uncontrolled document once printed or downloaded and is subject to change without notice. Date Created: 11/18/2019

035547



MAXIMUM FACE RUNOUT TO BE .004 T.I.R.  
 MAXIMUM PILOT ECCENTRICITY TO BE .004 T.I.R.

DASH NO.	"C"	"AG"	"AD"
850	14.45	10.20	8.13
900	14.95	10.70	8.63
950	15.45	11.20	9.13
1000	15.95	11.70	9.63
1050	16.45	12.20	10.13
1100	16.95	12.70	10.63
1150	17.45	13.20	11.13

Ø1.13 KNOCKOUTS  
(3) REQUIRED

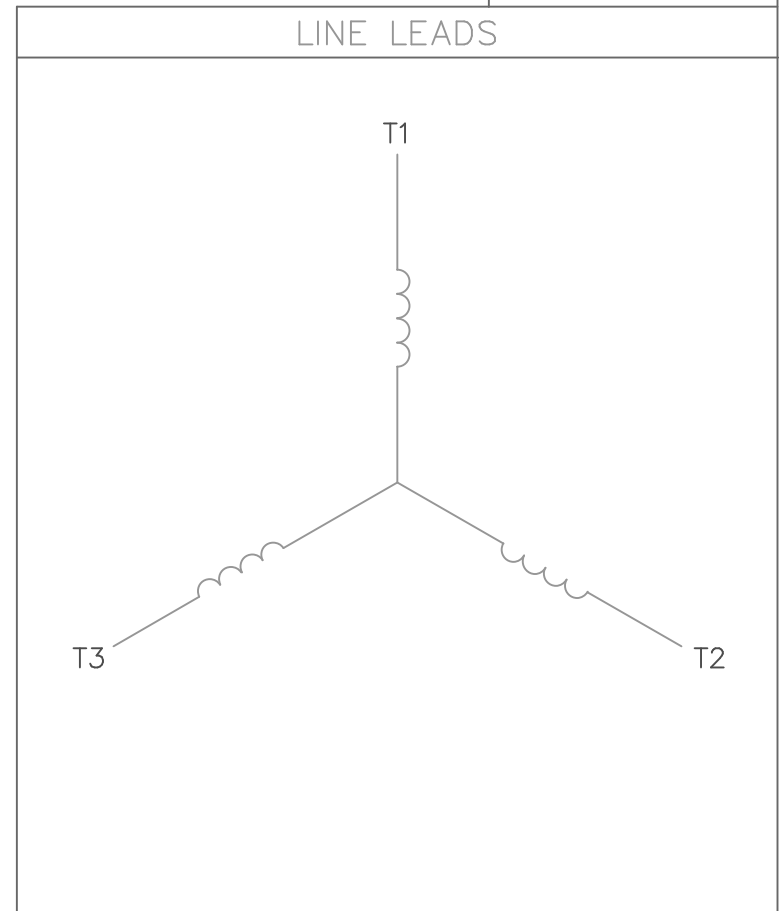
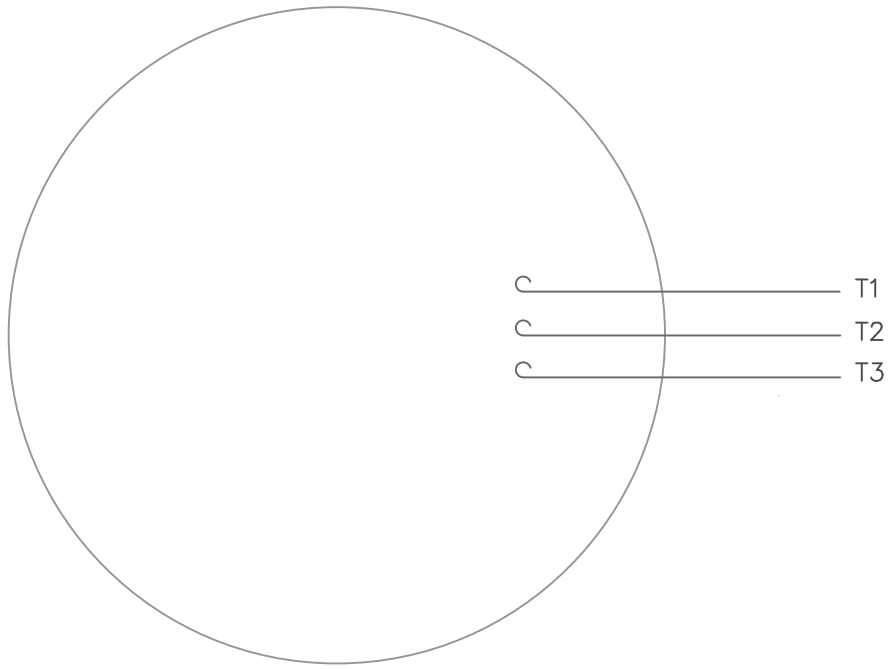
NO.	REVISION	BY & DATE	CHK	ANG	FINISH
05	UPDATED PER ECR-0141965	MVG 10/09/17	SR		
04	UPDATED REGAL LOGO	SS 05/17/16	SS	X	±.1
03	"C", "AG" & "AD" DIM. UPDATED ON DASH #TABLE	PVR 11/21/12	JD	XX	±.03
02	KEY WAS .19 SQ X 1.75	JD 7/15/2011	JD	XXX	±.005
01	ADD UL DECAL PER ISAAC 11-1098	LST 3/9/11	LST	XXXX	±.0005

TOLERANCES UNLESS SPECIFIED		Regal Beloit America, Inc.	DRAWN	VV 18/08/07	
DEC.	INCHES		CHK		
RFP		TITLE	OUTLINE- 180JM FRAME	APPD	YS 18/08/07
DIST			DRIP PROOF- "C" FACE- JM PUMP	SCALE	1=2
		MAT'L		REF	035486
		FINISH		FMF	184TIDW4135
				PREV	
		CAD FILE	035547	SIZE	DRAWING NO.
				B	035547
					REV.
					05

THIS DRAWING IN DESIGN AND DETAIL IS OUR PROPERTY AND MUST NOT BE USED EXCEPT IN CONNECTION WITH OUR WORK. ALL RIGHTS OF DESIGN AND INVENTION ARE RESERVED. THIS IS AN ELECTRONICALLY GENERATED DOCUMENT - DO NOT SCALE THIS PRINT

VIEW FROM OUTSIDE OF MOTOR AT SWITCH END.



CONNECT LEADS AS FOLLOWS  
FOR FOUR CONDUCTOR CORD ( )

CORD	L1 (RED)	L2 (WHITE)	L3 (BLACK)	(GREEN)
MOTOR	T1	T2	T3	GROUND

				TOLERANCES UNLESS SPECIFIED			DRAWN RDW 5/1/02		
				DEC.	INCHES		CHK		
				.X	±.1		APPD		
				.XX	±.01		SCALE 1=1		
				.XXX	±.005		REF		
				.XXXX	±.0005	MAT'L. DECAL - 004169	FMF		
NO.	REVISION	BY & DATE	CHK	ANG	±1/2'	FINISH	PREV		
THIS DRAWING IN DESIGN AND DETAIL IS OUR PROPERTY AND MUST NOT BE USED EXCEPT IN CONNECTION WITH OUR WORK ALL RIGHTS OF DESIGN AND INVENTION ARE RESERVED THIS IS AN ELECTRONICALLY GENERATED DOCUMENT - DO NOT SCALE THIS PRINT				RFP	5/1/02	CAD FILE 00510201ME	SIZE A	DRAWING NO. 005102-01ME	REV.
				DIST					