

PRODUCT INFORMATION PACKET

Model No: 182TTDR7413
Catalog No: Y453
2,18/12,DP,182T,3/60/SPL
Other Purpose



Regal and Marathon are trademarks of Regal Beloit Corporation or one of its affiliated companies.
©2019 Regal Beloit Corporation, All Rights Reserved. MC017097E





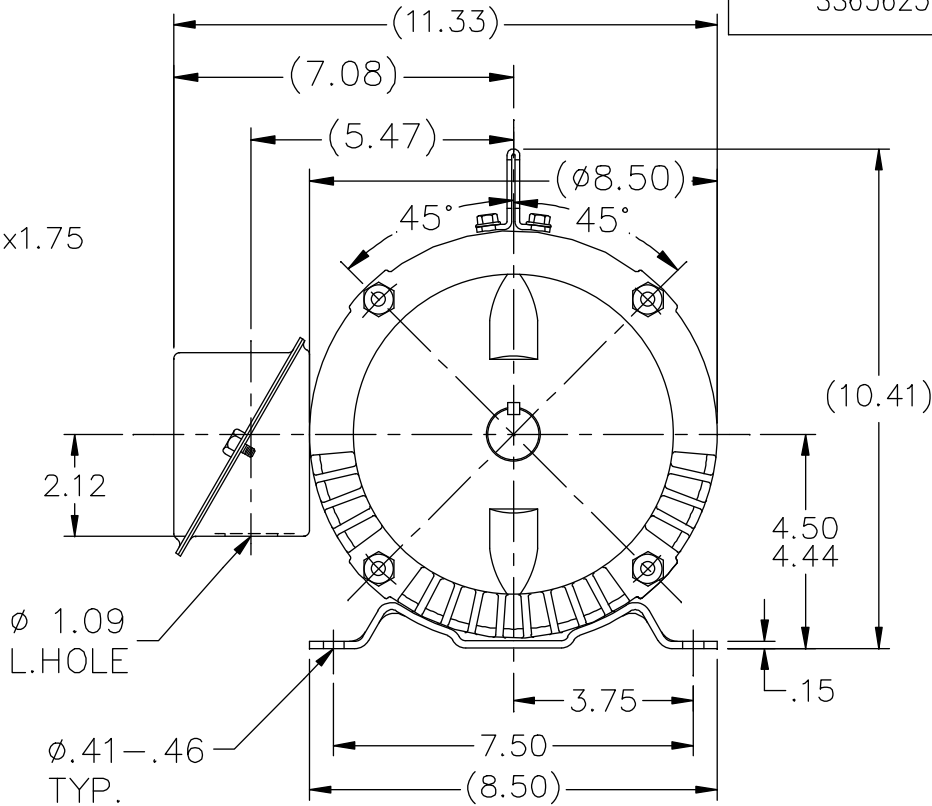
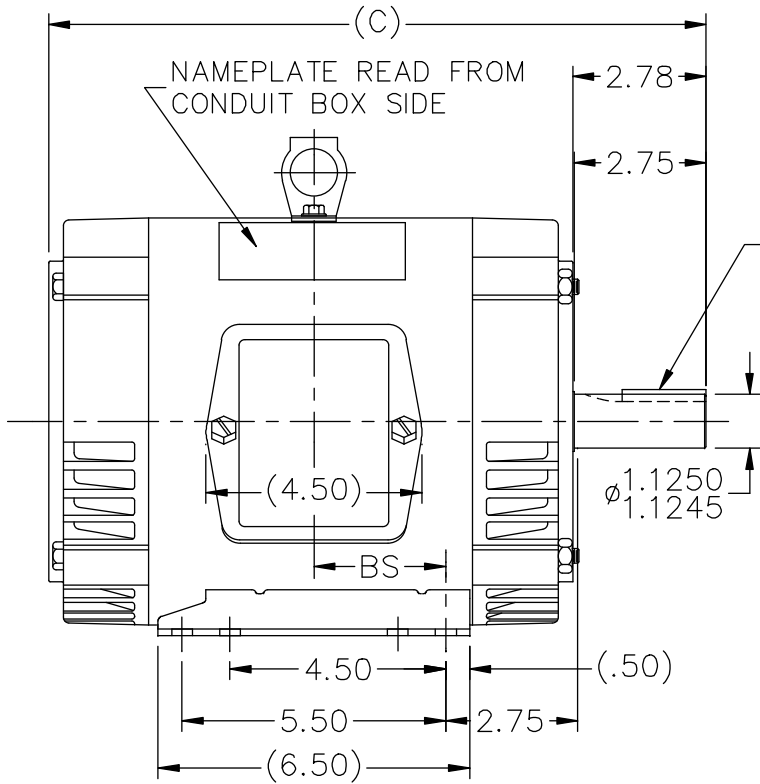
Nameplate Specifications

Output HP	2,0.89 HP	Output KW	1.5 kW
Frequency	60 Hz	Voltage	200-230 V
Current	6.5-6.3,3.5-3.5 A	Speed	1760,1155 RPM
Service Factor	1.15	Phase	3
Efficiency	81 %	Duty	Continuous
Insulation Class	B	Design Code	2VT
KVA Code	L	Frame	182T
Enclosure	Drip Proof	Overload Protector	No
Ambient Temperature	40 °C	Drive End Bearing Size	6206
Opp Drive End Bearing Size	6203	UL	Recognized
CSA	Y	CE	Y
IP Code	22		

Technical Specifications

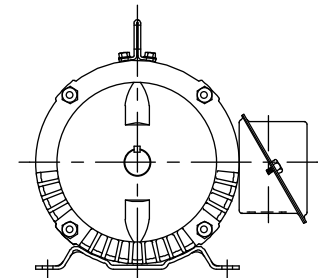
Electrical Type	Squirrel Cage Induction Run	Starting Method	Across The Line
Poles	4//6	Rotation	Reversible
Mounting	Rigid Base	Motor Orientation	Horizontal
Drive End Bearing	Ball	Opp Drive End Bearing	Ball
Frame Material	Rolled Steel	Shaft Type	T
Overall Length	13.72 in	Frame Length	6.75 in
Shaft Diameter	1.125 in	Shaft Extension	2.75 in
Assembly/Box Mounting	F1/F2 CAPABLE		
Outline Drawing	A-SS65625-675	Connection Diagram	A-EE7317

SS65625



BOX CAN BE ROTATED IN 90° STEPS.

DASH	FR.	C	BS	MOUNTING	DASH	FR.	C	BS	MOUNTING
575	182T	12.72	2.25	F1 OR F2	775	182T	14.72	3.25	F1 ONLY
625	182T	13.22	2.50	F1 OR F2	775	184T	14.72	3.25	F1 ONLY
675	182T	13.72	2.75	F1 OR F2	825	184T	15.22	3.50	F1 ONLY
675	184T	13.72	2.75	F1 OR F2	875	184T	15.72	3.75	F1 ONLY
725	182T	14.22	3.00	F1 ONLY	925	184T	16.22	4.00	F1 ONLY
725	184T	14.22	3.00	F1 ONLY					

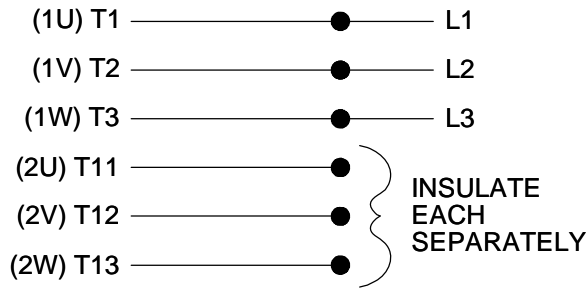


F2 VIEW (WHEN APPLICABLE)

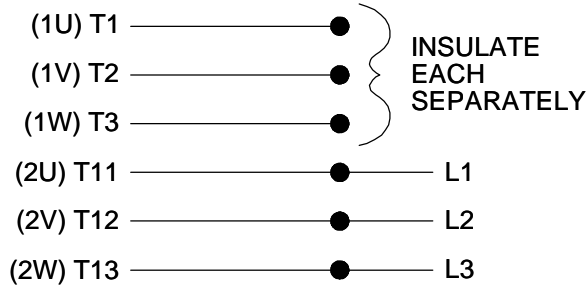
NO.	REVISION	BY & DATE	CHK	ANG	±'30"	TOLERANCES UNLESS SPECIFIED		MARATHON ELECTRIC	DRAWN ML 12-28-1987
						DEC.	INCHES		
14	UPDATED DRAWING	RJW 04-20-2007							CHK GK 12-28-1987
13	REDRAWN IN AUTOCAD	TAT 06-29-2004	ML	.X	±.1				APPD FG 12-28-1987
12	ADDED LIFT LUG	CN 34025 DRS 07-06-2001		.XX	±.03			TITLE OUTLINE	SCALE 1=4
11	ADDED MOUNTING TYPE	CN 27451 DRS 02-17-2000		.XXX	±.005			180T FR. - BB - TS - DR. PR.	REF
10	CORRECTED DASH 725 & 775	CN 21725-50 BLR 01-15-1996		.XXXX	±.0005			MAT'L.	FMF
								FINISH	PREV
			RFP					CAD FILE ss65625	SIZE A
			DIST LB						DRAWING NO. SS65625
									PAGE OF 14
									REV. 14

THIS DRAWING IN DESIGN AND DETAIL IS OUR PROPERTY AND MUST NOT BE USED EXCEPT IN CONNECTION WITH OUR WORK ALL RIGHTS OF DESIGN AND INVENTION ARE RESERVED THIS IS AN ELECTRONICALLY GENERATED DOCUMENT - DO NOT SCALE THIS PRINT

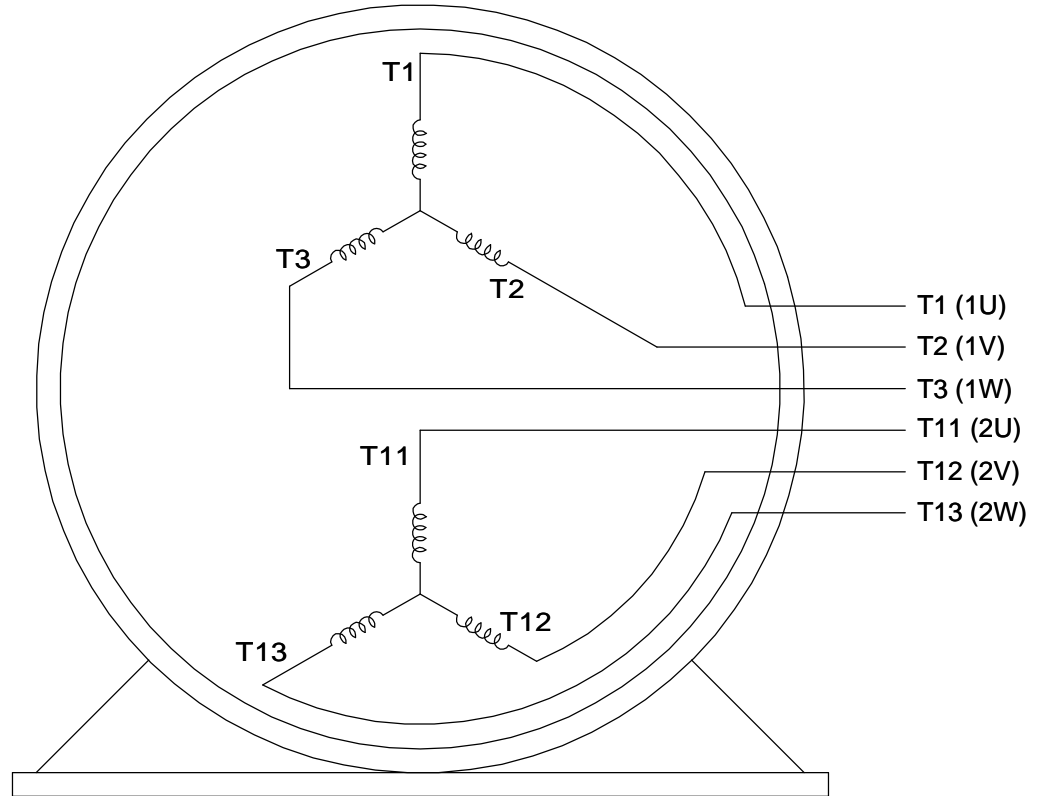
LOW SPEED



HIGHSPEED



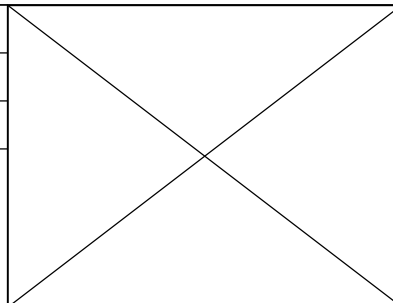
**THREE PHASE, SINGLE VOLT, 6 LEAD
2 SPEED REVERSIBLE MOTOR**


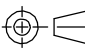


VIEW OF TERMINAL END

TO REVERSE ROTATION ON
EITHER SPEED: INTERCHANGE
ANY 2 LEADS ON THE
WINDING IN USE.

DRAWING REVISION C	REVISION BY JJB	DATE 10-25-2017
ECO ECO-0132917	APPROVED BY TLB	DATE 10-30-2017
ECO DESCRIPTION REVISED PER ECO & UPDATED TO STANDARDS		
<small>COPYRIGHT REGAL BELOIT AMERICA, INC. ALL RIGHTS RESERVED. PROPRIETARY AND CONFIDENTIAL INFORMATION - THIS DOCUMENT IS THE PROPERTY OF REGAL BELOIT AMERICA, INC. ("OWNER") AND CONTAINS OWNER'S PROPRIETARY INFORMATION. ANY PERSON, CORPORATION OR OTHER FIRM RECEIVING IT IS DEEMED, BY RECEIVING IT, TO AGREE THAT IT, AND/OR ANY PART OF IT, SHALL NOT BE DISCLOSED TO ANY PERSON, CORPORATION OR OTHER ENTITY, DUPLICATED, AND/OR USED, EXCEPT AS EXPRESSLY APPROVED IN WRITING IN ADVANCE BY OWNER. THIS DOCUMENT SHALL BE RETURNED TO OWNER UPON REQUEST. IT MAY BE SUBJECT TO CERTAIN RESTRICTIONS UNDER APPLICABLE EXPORT CONTROL LAWS AND REGULATIONS.</small>		



DRAWN BY LZ	 Regal Beloit America, Inc.	
DATE 01-05-1994		
APPROVED BY GK	DESCRIPTION CONN DIAGRAM-INTERNAL	
DATE 01-17-1994	3 PHASE - SINGLE - 2 SPEED REVERSIBLE	
REFERENCE	MATERIAL	PROCESS/FINISH
THIRD ANGLE PROJECTION 	SIZE A	DRAWING NUMBER EE7317
		SHEET 1 OF 1