

# PRODUCT INFORMATION PACKET

Model No: 182TTDR4122  
Catalog No: E151  
5,3600,DP,182JM,3/60/575  
JM



Regal and Marathon are trademarks of Regal Beloit Corporation or one of its affiliated companies.  
©2019 Regal Beloit Corporation, All Rights Reserved. MC017097E



### Nameplate Specifications

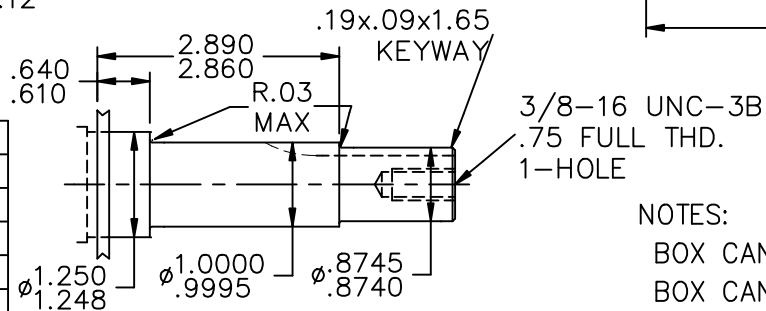
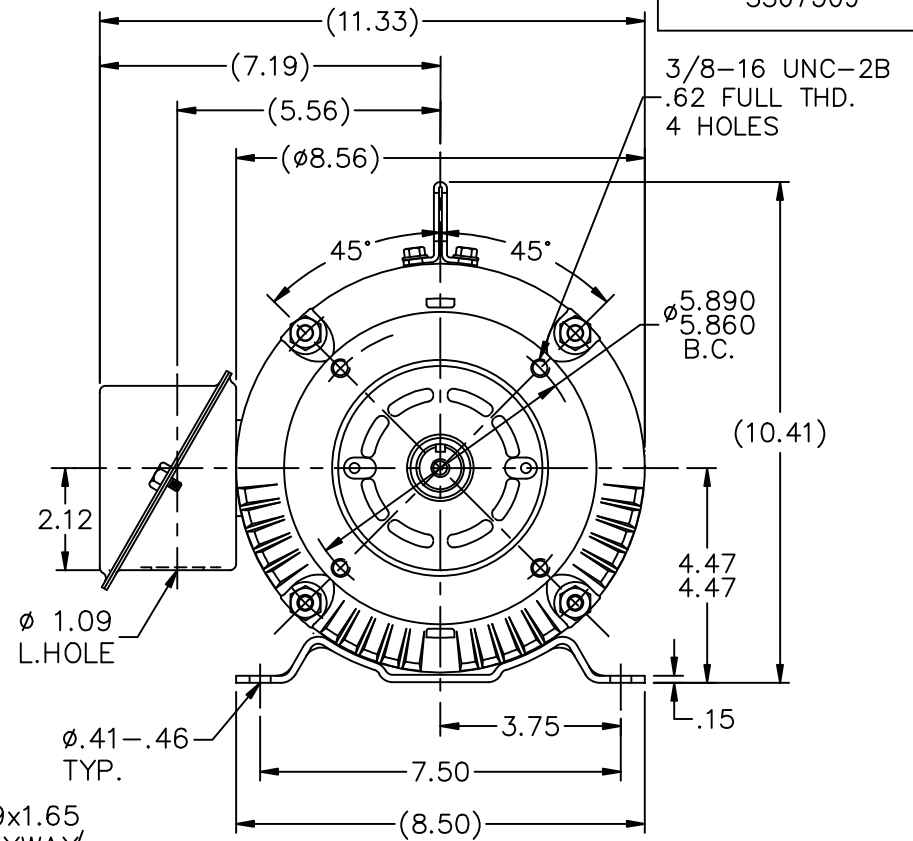
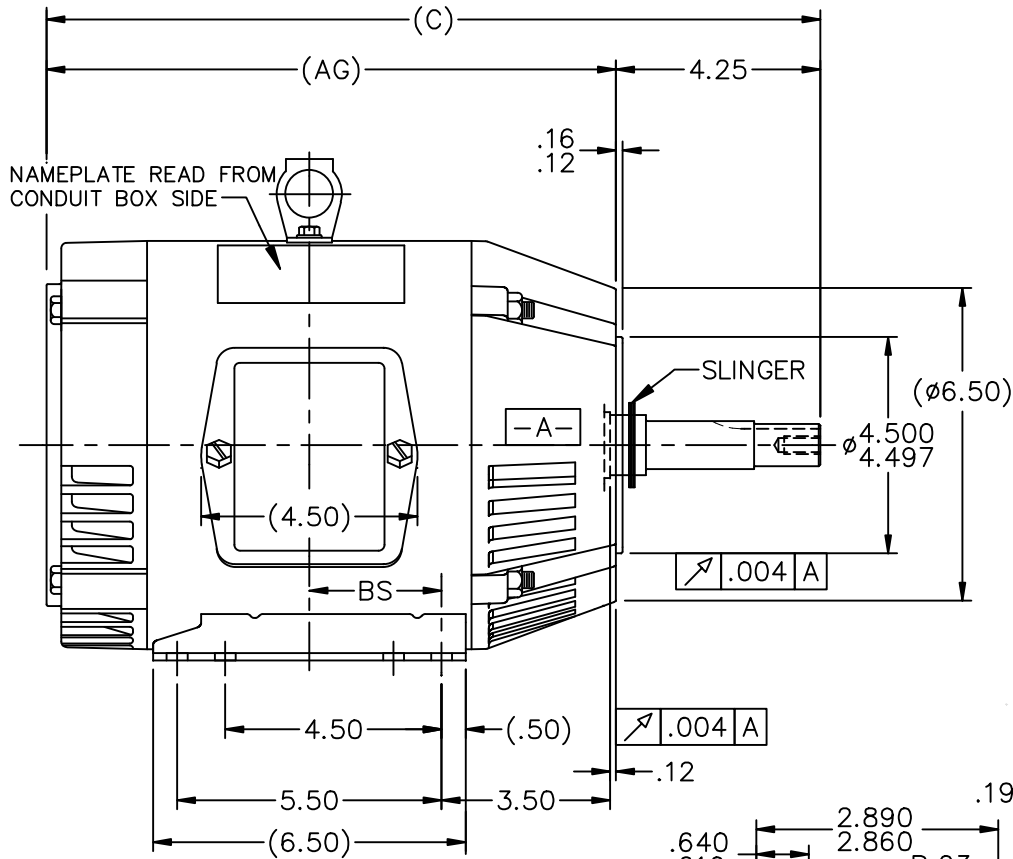
Output HP	<b>5 HP</b>	Output KW	<b>3.7 kW</b>
Frequency	<b>60 Hz</b>	Voltage	<b>575 V</b>
Current	<b>4.8 A</b>	Speed	<b>3475 RPM</b>
Service Factor	<b>1.15</b>	Phase	<b>3</b>
Efficiency	<b>86.5 %</b>	Duty	<b>Continuous</b>
Insulation Class	<b>B</b>	Design Code	<b>B</b>
KVA Code	<b>J</b>	Frame	<b>182JM</b>
Enclosure	<b>Drip Proof</b>	Overload Protector	<b>No</b>
Ambient Temperature	<b>40 °C</b>	Drive End Bearing Size	<b>6307</b>
Opp Drive End Bearing Size	<b>6205</b>	UL	<b>Recognized</b>
CSA	<b>Y</b>	CE	<b>Y</b>
IP Code	<b>22</b>		

### Technical Specifications

Electrical Type	<b>Squirrel Cage Induction Run</b>	Starting Method	<b>Across The Line</b>
Poles	<b>2</b>	Rotation	<b>Reversible</b>
Mounting	<b>Rigid Base</b>	Motor Orientation	<b>Horizontal</b>
Drive End Bearing	<b>Ball</b>	Opp Drive End Bearing	<b>Ball</b>
Frame Material	<b>Rolled Steel</b>	Shaft Type	<b>JM</b>
Overall Length	<b>16.09 in</b>	Frame Length	<b>6.75 in</b>
Shaft Diameter	<b>0.875 in</b>	Shaft Extension	<b>4.28 in</b>
Assembly/Box Mounting	<b>F1/F2 Capable</b>		
Outline Drawing	<b>A-SS67309-675</b>	Connection Diagram	<b>A-EE7300</b>

This is an uncontrolled document once printed or downloaded and is subject to change without notice. Date Created: 09/23/2019

SS67309



DETAIL OF SHAFT EXT.

NOTES:

- BOX CAN BE ROTATED IN 90° STEPS.
- BOX CAN BE MOUNTED ON OPPOSITE SIDE BY REMOVING BRACKETS AND TURNING FRAME 180°

DASH	FR	AG	C	BS	MOUNTING
575	182T	10.84	15.09	2.25	F1 OR F2
625	182T	11.34	15.59	2.50	F1 ONLY
675	182/4T	11.84	16.09	2.75	F1 OR F2
725	182/4T	12.34	16.59	3.00	F1 ONLY
775	182/4T	12.84	17.09	3.25	F1 ONLY
825	182/4T	13.34	17.59	3.50	F1 ONLY
875	182/4T	13.84	18.09	3.75	F1 ONLY

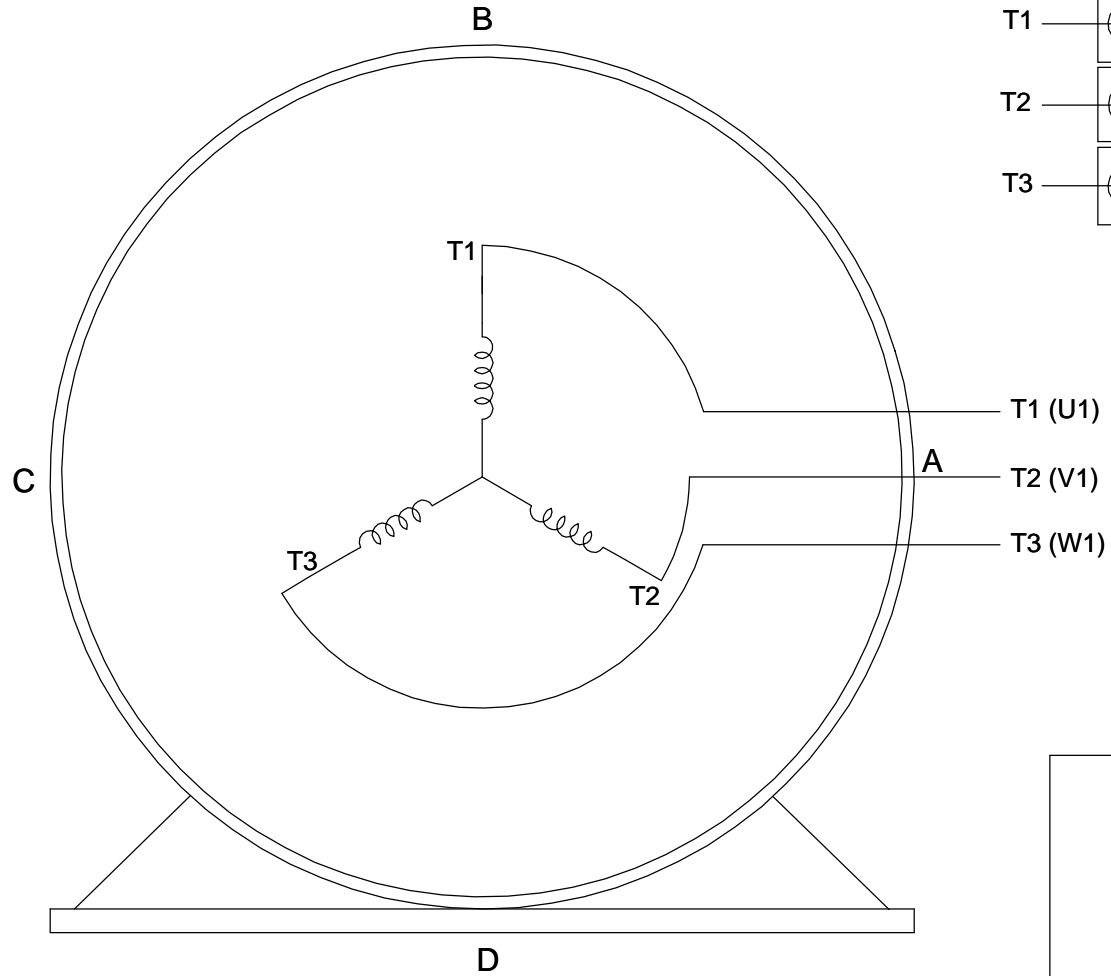
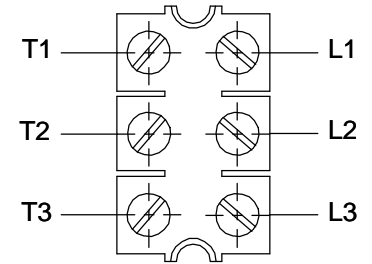
NO.	REVISION	BY & DATE	CHK	TOLERANCES UNLESS SPECIFIED	
				DEC.	INCHES
11	REDRAWN IN AUTOCAD	TAT 07-06-2004	ML	.X	±.1
10	ADDED LIFT LUG CN 34025	NJS 07-20-2001	.XX	±.03	
9	ADDED FRAME SIZE TO -825 & -875 CN 27400-320	CAE 11-03-1999	.XXX	±.005	
8	REVISED DASH TABLE CN 27451	MRB 05-11-1999	.XXXX	±.0005	
			ANG	±7'30"	

	DRAWN DJK 04-26-1993
	CHK ML 07-22-1993
APPD GK 07-22-1993	SCALE 1=4
TITLE OUTLINE - JM EXT. 180 FR. - BB - TS - DR.PR. - C' FACE	REF
MAT'L.	FMF
FINISH	PREV
RFP	CAD FILE ss67309
DIST LB	SIZE A
	DRAWING NO. SS67309
	PAGE OF 11
	REV. 11

**THREE PHASE - SINGLE VOLTAGE  
MOTOR - CONDUIT BOX @ 'A'**

**TO REVERSE ROTATION:  
INTERCHANGE ANY TWO  
LINE LEAD CONNECTIONS.**

**TERMINAL BLOCK WHEN SPECIFIED**



**VIEW OF TERMINAL END**

**IF MOTOR HAS  
6 LEADS**



A-9806 DECAL


**OPTIONAL CORD  
CONNECTION**

- L1 \_\_\_\_\_ WHITE \_\_\_\_\_
- L2 \_\_\_\_\_ RED \_\_\_\_\_
- L3 \_\_\_\_\_ BLACK \_\_\_\_\_

DRAWING REVISION AB	REVISION BY JJB	DATE 06-27-2017
ECO ECO-0125361	APPROVED BY TB	DATE 06-27-2017
ECO DESCRIPTION <b>UPDATED TO CURRENT STANDARDS</b>		
<small>COPYRIGHT REGAL BELOIT AMERICA, INC. ALL RIGHTS RESERVED.                  PROPRIETARY AND CONFIDENTIAL INFORMATION - THIS DOCUMENT IS THE PROPERTY OF                  REGAL BELOIT AMERICA, INC. ("OWNER") AND CONTAINS OWNER'S PROPRIETARY                  INFORMATION. ANY PERSON, CORPORATION OR OTHER FIRM RECEIVING IT IS DEEMED,                  BY RECEIVING IT, TO AGREE THAT IT, AND/OR ANY PART OF IT, SHALL NOT BE DISCLOSED                  TO ANY PERSON, CORPORATION OR OTHER ENTITY, DUPLICATED, AND/OR USED, EXCEPT                  AS EXPRESSLY APPROVED IN WRITING IN ADVANCE BY OWNER. THIS DOCUMENT SHALL                  BE RETURNED TO OWNER UPON REQUEST. IT MAY BE SUBJECT TO CERTAIN                  RESTRICTIONS UNDER APPLICABLE EXPORT CONTROL LAWS AND REGULATIONS.</small>		



DRAWN BY DA
DATE 03-26-1993
APPROVED BY TB
DATE 03-26-1993
REFERENCE
THIRD ANGLE PROJECTION

 <b>Regal Beloit America, Inc.</b>	
DESCRIPTION <b>CONNECTION DIAGRAM</b> EXTERNAL - SINGLE VOLTAGE - 3Ø MOTOR	
MATERIAL	PROCESS/FINISH
SIZE <b>A</b>	DRAWING NUMBER <b>EE7300</b>
SHEET <b>1 OF 1</b>	