

PRODUCT INFORMATION PACKET



Model No:
Catalog No: 170B
MODEL-RFHP-48FR
Fan Coil / Room Air Conditioner



Regal and Century are trademarks of Regal Beloit Corporation or one of its affiliated companies.
©2019 Regal Beloit Corporation, All Rights Reserved. MC017097E





Nameplate Specifications

Output HP	1/6,1/10,1/15 HP	Output KW	0.13 kW
Frequency	60 Hz	Voltage	208-230 V
Current	1.1,.54,.40 A	Speed	1625 RPM
Service Factor	1	Phase	1
Duty	Air Over	Insulation Class	B
Frame	F48Y	Enclosure	Semi Enclosed
Overload Protector	Automatic	Ambient Temperature	60 °C
UL	Recognized	CSA	Y
CE	N		

Technical Specifications

Electrical Type	Permanent Split Capacitor	Starting Method	Induction Run
Poles	4	Rotation	Counterclockwise Lead End
Mounting	Extended Studs	Motor Orientation	Horizontal
Drive End Bearing	Sleeve	Opp Drive End Bearing	Sleeve
Frame Material	Rolled Steel	Shaft Type	Flat
Overall Length	20.74 in	Frame Length	3.13 in
Shaft Diameter	0.500 in	Shaft Extension	8.50 in
Outline Drawing	F48Z28A01-S01	Connection Diagram	614131-296

This is an uncontrolled document once printed or downloaded and is subject to change without notice. Date Created: 12/12/2019

REV	REFERENCE ECN	REFERENCE PROJECT	REV BY	DATE	APPD	DATE
D		03840901	Aaron	02-04-2008	ABaugh	02-04-2008

GENERAL INFORMATION:

SHAFT RUNOUT: .001 [.03] T.I.R. PER INCH LENGTH OF EXTENSION

END PLAY: .010 TO .063 [.25 TO 1.60]

BEARINGS: SLEEVE

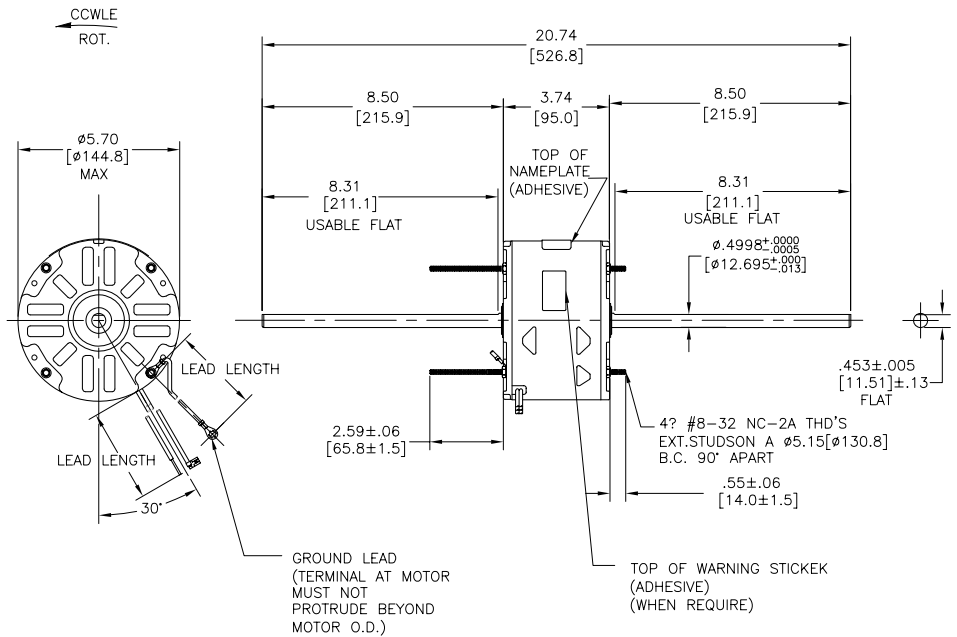
MOUNTING POSITION: HORIZONTAL

ELECTRICAL DATA:

OVERLOAD PROTECTOR: AUTOMATIC RESET (T.I. 7AM 036)

LEADS: NO. 18 GA., .06 [1.5] THK. PVC 105°C INSUL.

GROUND LEAD: NO. 18 GA., .03 [.8] THK. (GREEN/YELLOW) INSUL.



NAMEPLATE DATA:	EXTERNAL CONNECTION DIAGRAM
MODEL NO.: F48Z28A01 CUST. P/N: 170B HP: 1/6,1/10,1/15 ROT.: CCWLE RPM: 1625/3 SPD TYPE: UF FRAME: 48Y VOLTS: 208-230 PH: 1 AMPS: 1.1, .54, .40 HZ: 60 INS.: B AMB.: 60 °C DUTY: AIR OVER CAP.: 5 MFD/370V ENCL: SEMI-ENCL UL LOGO CSA LOGO THERMALLY PROTECTED	

COLOR	LENGTH	TERMINAL OR STRIP LENGTH
GRN/YEL(GRD)	11.0/13.0 [279/330]	#10 EYELET
BROWN	36.0/38.0 [914/965]	.25[6.4] FLAG
BROWN/WHITE	36.0/38.0 [914/965]	.25[6.4] FLAG
WHITE	36.0/38.0 [914/965]	.50[12.7] SKIN
BLACK	36.0/38.0 [914/965]	.50[12.7] SKIN
BLUE	36.0/38.0 [914/965]	.50[12.7] SKIN
RED	36.0/38.0 [914/965]	.50[12.7] SKIN

MAIN FRAME - OLE	SEMI-ENCLOSED
END FRAME - OLE	OPEN
MAIN FRAME - LE	SEMI-ENCLOSED
END FRAME - LE	OPEN

CUSTOMER	DISTRIBUTION SERVICES
----------	-----------------------

PERFORMANCE CURVE NO.	TORQUE @ 1625 RPM (25°C)	APPROVED SAMPLE	UL COMPONENT FILE #	GUIDE#	CSA FILE #	GUIDE #
C32698	9.4 OZ. FT.	0604269A	E46412	PRGY2	LR43341	4211-01

GEOMETRIC CHARACTERISTICS & SYMBOLS

- FLATNESS
- STRAIGHTNESS
- ANGULARITY
- PERPENDICULARITY (SQUARENESS)
- PARALLELISM
- ROUNDNESS (CIRCULARITY)
- CYLINDRICITY
- PROFILE OF ANY SURFACE
- PROFILE OF ANY LINE
- RUNOUT
- TRUE POSITION
- CONCENTRICITY
- SYMMETRY

A.O. SMITH PROVIDES TECHNICAL ASSISTANCE TO OUR CUSTOMERS IN SEVERAL AREAS. SINCE A.O. SMITH DOES NOT RECEIVE ALL DATA CONCERNING THE USE AND APPLICATION OF THE MOTOR, THE SUITABILITY OF THE MOTOR FOR THE APPLICATION MUST BE DETERMINED BY THE CUSTOMER.

DIMENSIONS WITHOUT TOLERANCES ARE FOR REFERENCE ONLY.

DR BY: ZHU HONG 05-21-2007

APPD:

THIRD ANGLE PROJECTION

EDS DATE 01-21-2007
FORMAT REV E

CONFIDENTIAL: THIS DRAWING AND ITS INFORMATION ARE THE EXCLUSIVE AND CONFIDENTIAL PROPERTY OF A.O. SMITH CORP. AND ARE NOT TO BE DISCLOSED, DUPLICATED, DISTRIBUTED OR OTHERWISE USED WITHOUT THE WRITTEN CONSENT OF A.O. SMITH CORP. -ALL RIGHTS RESERVED. ASME Y14.5M 1994

A.O. SMITH
ELECTRICAL PRODUCTS COMPANY
TIPPECANOE, IN 46183

A DIVISION OF A. O. SMITH CORPORATION
COPYRIGHT 1995

DESCRIPTION: **OUTLINE**

SIZE: C DWG NO: **F48Z28A01**

SCALE: NONE SHEET 1

4	3	2	1																						
INFORMACION GENERAL: OSCILACION DE FLECHA: .001 [.03] T.I.R. PER INCH LENGTH OF EXTENSION JUEGO AXIAL: .010 A .063 [.25 A 1.60] BALEROS: MANGA POSICION DEL MONTAJE: HORIZONTAL INFORMACION ELECTRICA: SOBRECARGA DEL PROTECTOR: REINICIO AUTOMATIC (T.I. 7AM 036) CABLES: NO. 18 GA., .06 [1.5] THK. PVC 105°C AISLAM. CABLE DE TIERRA: NO. 18 GA., .03 [.8] THK. (VERDE) AISLAM.		<table border="1" style="width:100%; border-collapse: collapse;"> <tr> <td>REVISION:</td> <td>ECN REFERENCIA:</td> <td>PROYECTO REFERENCIA:</td> <td>REVISADO POR:</td> <td>FECHA:</td> <td>APROBADO POR:</td> <td>FECHA:</td> </tr> <tr> <td>D</td> <td></td> <td>03840901</td> <td>Aaron</td> <td>02-04-2008</td> <td>ABaugh</td> <td>02-04-2008</td> </tr> </table>		REVISION:	ECN REFERENCIA:	PROYECTO REFERENCIA:	REVISADO POR:	FECHA:	APROBADO POR:	FECHA:	D		03840901	Aaron	02-04-2008	ABaugh	02-04-2008								
REVISION:	ECN REFERENCIA:	PROYECTO REFERENCIA:	REVISADO POR:	FECHA:	APROBADO POR:	FECHA:																			
D		03840901	Aaron	02-04-2008	ABaugh	02-04-2008																			
<table border="1" style="width:100%; border-collapse: collapse;"> <tr> <th style="width:50%;">INFORMACION DE ETIQUETA:</th> <th style="width:50%;">DIAGRAMA DE CONEXION EXTRNA</th> </tr> <tr> <td> MODEL NO.: F48Z28A01 CUST. P/N: 170B HP: 1/6,1/10,1/15 ROT.: CCWLE RPM: 1625/3 SPD TYPE: UF FRAME: 48Y VOLTS: 208-230 PH: 1 AMPS: 1.1, .54, .40 HZ: 60 INS.: B AMB.: 60 °C DUTY: AIR OVER CAP.: 5 MFD/370V ENCL: SEMI-ENCL UL LOGO CSA LOGO THERMALLY PROTECTED 614131-296 </td> <td> </td> </tr> </table>		INFORMACION DE ETIQUETA:	DIAGRAMA DE CONEXION EXTRNA	MODEL NO.: F48Z28A01 CUST. P/N: 170B HP: 1/6,1/10,1/15 ROT.: CCWLE RPM: 1625/3 SPD TYPE: UF FRAME: 48Y VOLTS: 208-230 PH: 1 AMPS: 1.1, .54, .40 HZ: 60 INS.: B AMB.: 60 °C DUTY: AIR OVER CAP.: 5 MFD/370V ENCL: SEMI-ENCL UL LOGO CSA LOGO THERMALLY PROTECTED 614131-296																					
		INFORMACION DE ETIQUETA:	DIAGRAMA DE CONEXION EXTRNA																						
MODEL NO.: F48Z28A01 CUST. P/N: 170B HP: 1/6,1/10,1/15 ROT.: CCWLE RPM: 1625/3 SPD TYPE: UF FRAME: 48Y VOLTS: 208-230 PH: 1 AMPS: 1.1, .54, .40 HZ: 60 INS.: B AMB.: 60 °C DUTY: AIR OVER CAP.: 5 MFD/370V ENCL: SEMI-ENCL UL LOGO CSA LOGO THERMALLY PROTECTED 614131-296																									
<table border="1" style="width:100%; border-collapse: collapse;"> <tr> <td></td> <td>11.0/13.0 [279/330]</td> <td>#10 EYELET</td> </tr> <tr> <td></td> <td>36.0/38.0 [914/965]</td> <td>.25[6.4] FLAG</td> </tr> <tr> <td></td> <td>36.0/38.0 [914/965]</td> <td>.25[6.4] FLAG</td> </tr> <tr> <td></td> <td>36.0/38.0 [914/965]</td> <td>.50[12.7] SKIN</td> </tr> <tr> <td></td> <td>36.0/38.0 [914/965]</td> <td>.50[12.7] SKIN</td> </tr> <tr> <td></td> <td>36.0/38.0 [914/965]</td> <td>.50[12.7] SKIN</td> </tr> <tr> <td></td> <td>36.0/38.0 [914/965]</td> <td>.50[12.7] SKIN</td> </tr> <tr> <td></td> <td>LONGITUD</td> <td>TERMINAL O LONGITUD DE DESFORRE</td> </tr> </table>			11.0/13.0 [279/330]	#10 EYELET		36.0/38.0 [914/965]	.25[6.4] FLAG		36.0/38.0 [914/965]	.25[6.4] FLAG		36.0/38.0 [914/965]	.50[12.7] SKIN		36.0/38.0 [914/965]	.50[12.7] SKIN		36.0/38.0 [914/965]	.50[12.7] SKIN		36.0/38.0 [914/965]	.50[12.7] SKIN		LONGITUD	TERMINAL O LONGITUD DE DESFORRE
	11.0/13.0 [279/330]	#10 EYELET																							
	36.0/38.0 [914/965]	.25[6.4] FLAG																							
	36.0/38.0 [914/965]	.25[6.4] FLAG																							
	36.0/38.0 [914/965]	.50[12.7] SKIN																							
	36.0/38.0 [914/965]	.50[12.7] SKIN																							
	36.0/38.0 [914/965]	.50[12.7] SKIN																							
	36.0/38.0 [914/965]	.50[12.7] SKIN																							
	LONGITUD	TERMINAL O LONGITUD DE DESFORRE																							
<table border="1" style="width:100%; border-collapse: collapse;"> <tr> <th>CURVAS DE FUNCIONAMIENTO</th> <th>TORSION @ RPM (25°C)</th> <th>MUESTRA APROBADA</th> <th>COMPONENTE UL</th> <th>CSA</th> </tr> <tr> <td>C32698</td> <td>9.4 OZ. FT.</td> <td>0604269A</td> <td>E46412 PRGY2</td> <td>LR43341 4211-01</td> </tr> </table>		CURVAS DE FUNCIONAMIENTO	TORSION @ RPM (25°C)	MUESTRA APROBADA	COMPONENTE UL	CSA	C32698	9.4 OZ. FT.	0604269A	E46412 PRGY2	LR43341 4211-01	<table border="1" style="width:100%; border-collapse: collapse;"> <tr> <td>DE CARCASA - OLE</td> <td></td> </tr> <tr> <td>DE TAPA - OLE</td> <td></td> </tr> <tr> <td>DE CARCASA - LE</td> <td></td> </tr> <tr> <td>DE TAPA - LE</td> <td></td> </tr> </table>		DE CARCASA - OLE		DE TAPA - OLE		DE CARCASA - LE		DE TAPA - LE					
CURVAS DE FUNCIONAMIENTO	TORSION @ RPM (25°C)	MUESTRA APROBADA	COMPONENTE UL	CSA																					
C32698	9.4 OZ. FT.	0604269A	E46412 PRGY2	LR43341 4211-01																					
DE CARCASA - OLE																									
DE TAPA - OLE																									
DE CARCASA - LE																									
DE TAPA - LE																									
<table border="1" style="width:100%; border-collapse: collapse;"> <tr> <td> CARACTERISTICAS DE GEOMETRIA Y SIMBOLOS ▽ PLANICIDAD ⊥ RECTITUD ∠ ANGULARIDAD ⊥ PERPENDICULARIDAD (A ESQUADRA) // PARALELISMO ○ REDONDEZ (CIRCULARIDAD) ∅ CILINDRICIDAD ~ PERFIL DE CUALQUIER SUPERFICIE ⊂ PERFIL DE CUALQUIER LINEA † VARIACION ⊕ POSICION REAL ⊙ CONCENRICIDAD = SIMETRIA </td> <td> A.O. SMITH PROVEE ASISTENCIA TECNICA A NUESTROS CLIENTES EN VARIAS AREAS. DESDE QUE A.O. SMITH NO RECIBE TODOS LOS DATOS EN RELACION AL USO Y A LA APLICACION DEL MOTOR, LA APLICACION ADECUADA DEL MOTOR DEBE SER DETERMINADA POR EL CLIENTE. DIMENSIONES SIN TOLERANCIA SON DE REFERENCIA SOLAMENTE </td> <td> DIBUJADO POR: ZHU HONG APROBADO POR: FECHA EDS: 01-21-2007 REV. FORMATO: E </td> <td> DESCRIPCION: TAMANO: C NUMERO DE DIBUJO: ESCALA: NONE HOJA: 1 </td> </tr> </table>		CARACTERISTICAS DE GEOMETRIA Y SIMBOLOS ▽ PLANICIDAD ⊥ RECTITUD ∠ ANGULARIDAD ⊥ PERPENDICULARIDAD (A ESQUADRA) // PARALELISMO ○ REDONDEZ (CIRCULARIDAD) ∅ CILINDRICIDAD ~ PERFIL DE CUALQUIER SUPERFICIE ⊂ PERFIL DE CUALQUIER LINEA † VARIACION ⊕ POSICION REAL ⊙ CONCENRICIDAD = SIMETRIA	A.O. SMITH PROVEE ASISTENCIA TECNICA A NUESTROS CLIENTES EN VARIAS AREAS. DESDE QUE A.O. SMITH NO RECIBE TODOS LOS DATOS EN RELACION AL USO Y A LA APLICACION DEL MOTOR, LA APLICACION ADECUADA DEL MOTOR DEBE SER DETERMINADA POR EL CLIENTE. DIMENSIONES SIN TOLERANCIA SON DE REFERENCIA SOLAMENTE	DIBUJADO POR: ZHU HONG APROBADO POR: FECHA EDS: 01-21-2007 REV. FORMATO: E	DESCRIPCION: TAMANO: C NUMERO DE DIBUJO: ESCALA: NONE HOJA: 1	<table border="1" style="width:100%; border-collapse: collapse;"> <tr> <td colspan="2" style="text-align: center;"> A.O. SMITH ELECTRICAL PRODUCTS COMPANY TYPH CITY, OHIO </td> <td colspan="2" style="text-align: center;"> A DIVISION OF A. O. SMITH CORPORATION COPYRIGHT 1995 </td> </tr> <tr> <td>CLIENTE</td> <td></td> <td>DISTRIBUTION SERVICES</td> <td></td> </tr> </table>		A.O. SMITH ELECTRICAL PRODUCTS COMPANY TYPH CITY, OHIO		A DIVISION OF A. O. SMITH CORPORATION COPYRIGHT 1995		CLIENTE		DISTRIBUTION SERVICES											
CARACTERISTICAS DE GEOMETRIA Y SIMBOLOS ▽ PLANICIDAD ⊥ RECTITUD ∠ ANGULARIDAD ⊥ PERPENDICULARIDAD (A ESQUADRA) // PARALELISMO ○ REDONDEZ (CIRCULARIDAD) ∅ CILINDRICIDAD ~ PERFIL DE CUALQUIER SUPERFICIE ⊂ PERFIL DE CUALQUIER LINEA † VARIACION ⊕ POSICION REAL ⊙ CONCENRICIDAD = SIMETRIA	A.O. SMITH PROVEE ASISTENCIA TECNICA A NUESTROS CLIENTES EN VARIAS AREAS. DESDE QUE A.O. SMITH NO RECIBE TODOS LOS DATOS EN RELACION AL USO Y A LA APLICACION DEL MOTOR, LA APLICACION ADECUADA DEL MOTOR DEBE SER DETERMINADA POR EL CLIENTE. DIMENSIONES SIN TOLERANCIA SON DE REFERENCIA SOLAMENTE	DIBUJADO POR: ZHU HONG APROBADO POR: FECHA EDS: 01-21-2007 REV. FORMATO: E	DESCRIPCION: TAMANO: C NUMERO DE DIBUJO: ESCALA: NONE HOJA: 1																						
A.O. SMITH ELECTRICAL PRODUCTS COMPANY TYPH CITY, OHIO		A DIVISION OF A. O. SMITH CORPORATION COPYRIGHT 1995																							
CLIENTE		DISTRIBUTION SERVICES																							

4	3	2	1																																	
<p>总要求:</p> <p>轴跳动: .001/1 [.03/25.4] (外伸轴)</p> <p>端部窜动量: .010 - .063 [.25 - 1.60]</p> <p>轴承: 含油轴承</p> <p>安装位置: 水平</p> <p>电气数据:</p> <p>过载保护: 自动复位 (T. I. 7AM 036)</p> <p>引线: 18GA, 厚.06[1.5] 125°C 绝缘</p> <p>接地线: 16GA, 厚.03[0.8] 绿色/黄色绝缘</p>		<table border="1" style="width:100%; border-collapse: collapse;"> <tr> <td>版本</td> <td>更改通知号</td> <td>项目号</td> <td>编制</td> <td>日期</td> <td>批准</td> <td>日期</td> </tr> <tr> <td>D</td> <td></td> <td>03840901</td> <td>Aaron</td> <td>02-04-2008</td> <td>ABaugh</td> <td>02-04-2008</td> </tr> </table>		版本	更改通知号	项目号	编制	日期	批准	日期	D		03840901	Aaron	02-04-2008	ABaugh	02-04-2008																			
版本	更改通知号	项目号	编制	日期	批准	日期																														
D		03840901	Aaron	02-04-2008	ABaugh	02-04-2008																														
<table border="1" style="width:100%; border-collapse: collapse;"> <tr> <th>铭牌数据</th> <th>外部连接详图</th> </tr> <tr> <td> MODEL NO.: F48Z28A01 CUST. P/N: 170B HP: 1/6,1/10,1/15 ROT.: CCWLE RPM: 1625/3 SPD TYPE: UF FRAME: 48Y VOLTS: 208-230 PH: 1 AMPS: 1.1, .54, .40 HZ: 60 INS.: B AMB.: 60 °C DUTY: AIR OVER CAP.: 5 MFD/370V ENCL: SEMI-ENCL UL LOGO CSA LOGO THERMALLY PROTECTED </td> <td> </td> </tr> <tr> <td colspan="2" style="text-align: center;">614131-296</td> </tr> </table>		铭牌数据	外部连接详图	MODEL NO.: F48Z28A01 CUST. P/N: 170B HP: 1/6,1/10,1/15 ROT.: CCWLE RPM: 1625/3 SPD TYPE: UF FRAME: 48Y VOLTS: 208-230 PH: 1 AMPS: 1.1, .54, .40 HZ: 60 INS.: B AMB.: 60 °C DUTY: AIR OVER CAP.: 5 MFD/370V ENCL: SEMI-ENCL UL LOGO CSA LOGO THERMALLY PROTECTED		614131-296		<table border="1" style="width:100%; border-collapse: collapse;"> <tr> <td></td> <td>11.0/13.0 [279/330]</td> <td>#10 EYELET</td> </tr> <tr> <td></td> <td>36.0/38.0 [914/965]</td> <td>.25[6.4] FLAG</td> </tr> <tr> <td></td> <td>36.0/38.0 [914/965]</td> <td>.25[6.4] FLAG</td> </tr> <tr> <td></td> <td>36.0/38.0 [914/965]</td> <td>.50[12.7] SKIN</td> </tr> <tr> <td></td> <td>36.0/38.0 [914/965]</td> <td>.50[12.7] SKIN</td> </tr> <tr> <td></td> <td>36.0/38.0 [914/965]</td> <td>.50[12.7] SKIN</td> </tr> <tr> <td></td> <td>36.0/38.0 [914/965]</td> <td>.50[12.7] SKIN</td> </tr> <tr> <td>颜色</td> <td>长度</td> <td>端子或剥线长度</td> </tr> </table>			11.0/13.0 [279/330]	#10 EYELET		36.0/38.0 [914/965]	.25[6.4] FLAG		36.0/38.0 [914/965]	.25[6.4] FLAG		36.0/38.0 [914/965]	.50[12.7] SKIN		36.0/38.0 [914/965]	.50[12.7] SKIN		36.0/38.0 [914/965]	.50[12.7] SKIN		36.0/38.0 [914/965]	.50[12.7] SKIN	颜色	长度	端子或剥线长度			
铭牌数据	外部连接详图																																			
MODEL NO.: F48Z28A01 CUST. P/N: 170B HP: 1/6,1/10,1/15 ROT.: CCWLE RPM: 1625/3 SPD TYPE: UF FRAME: 48Y VOLTS: 208-230 PH: 1 AMPS: 1.1, .54, .40 HZ: 60 INS.: B AMB.: 60 °C DUTY: AIR OVER CAP.: 5 MFD/370V ENCL: SEMI-ENCL UL LOGO CSA LOGO THERMALLY PROTECTED																																				
614131-296																																				
	11.0/13.0 [279/330]	#10 EYELET																																		
	36.0/38.0 [914/965]	.25[6.4] FLAG																																		
	36.0/38.0 [914/965]	.25[6.4] FLAG																																		
	36.0/38.0 [914/965]	.50[12.7] SKIN																																		
	36.0/38.0 [914/965]	.50[12.7] SKIN																																		
	36.0/38.0 [914/965]	.50[12.7] SKIN																																		
	36.0/38.0 [914/965]	.50[12.7] SKIN																																		
颜色	长度	端子或剥线长度																																		
<table border="1" style="width:100%; border-collapse: collapse;"> <tr> <th>性能曲线编号</th> <th>转矩在---RPM (25° C)</th> <th>批准样品</th> <th colspan="4">UL部件</th> <th colspan="2">CSA</th> </tr> <tr> <td>C32698</td> <td>9.4 OZ. FT.</td> <td>0604269A</td> <td>E46412</td> <td>PRGY2</td> <td>LR43341</td> <td>4211-01</td> <td></td> <td></td> </tr> </table>		性能曲线编号	转矩在---RPM (25° C)	批准样品	UL部件				CSA		C32698	9.4 OZ. FT.	0604269A	E46412	PRGY2	LR43341	4211-01			<table border="1" style="width:100%; border-collapse: collapse;"> <tr> <td colspan="2" style="text-align: center;">非引线端机壳</td> <td></td> </tr> <tr> <td colspan="2" style="text-align: center;">非引线端端盖</td> <td></td> </tr> <tr> <td colspan="2" style="text-align: center;">引线端机壳</td> <td></td> </tr> <tr> <td colspan="2" style="text-align: center;">引线端端盖</td> <td></td> </tr> <tr> <td style="text-align: center;">用户</td> <td colspan="2" style="text-align: center;">DISTRIBUTION SERVICES</td> </tr> </table>		非引线端机壳			非引线端端盖			引线端机壳			引线端端盖			用户	DISTRIBUTION SERVICES	
性能曲线编号	转矩在---RPM (25° C)	批准样品	UL部件				CSA																													
C32698	9.4 OZ. FT.	0604269A	E46412	PRGY2	LR43341	4211-01																														
非引线端机壳																																				
非引线端端盖																																				
引线端机壳																																				
引线端端盖																																				
用户	DISTRIBUTION SERVICES																																			
<p>形位公差</p> <ul style="list-style-type: none"> □ 平面度 — 直线度 ∠ 倾斜度 ⊥ 垂直度 // 平行度 ○ 圆度 ⌀ 圆跳动 ⊖ 面轮廓度 ⊕ 线轮廓度 ↻ 圆跳动 ⊕ 位置度 ⊙ 同轴度 ⇄ 对称度 		<p>A. O. SMITH在个别领域为客户提供技术支持。鉴于A. O. SMITH未收到任何涉及电机使用和应用环境的数据，电机的适用性由客户自己决定。</p> <p>未注公差尺寸仅供参考。</p>																																		
<table border="1" style="width:100%; border-collapse: collapse;"> <tr> <td>绘图:</td> <td>ZHU HONG</td> <td>05-21-2007</td> </tr> <tr> <td>批准:</td> <td colspan="2"></td> </tr> <tr> <td>第三角投影</td> <td colspan="2"> </td> </tr> <tr> <td colspan="3"> 图框格式发布日期 01-21-2007 图框格式版本 E </td> </tr> <tr> <td colspan="3"> 机密: 本图纸及相关信息所有权归A. O. SMITH公司所有。未经A. O. SMITH公司书面授权, 不得泄露、复制、传播或作其他用途。一版权所有 </td> </tr> <tr> <td colspan="3" style="text-align: center;">ASME Y14.5M 1994</td> </tr> </table>		绘图:	ZHU HONG	05-21-2007	批准:			第三角投影			图框格式发布日期 01-21-2007 图框格式版本 E			机密: 本图纸及相关信息所有权归A. O. SMITH公司所有。未经A. O. SMITH公司书面授权, 不得泄露、复制、传播或作其他用途。一版权所有			ASME Y14.5M 1994			<table border="1" style="width:100%; border-collapse: collapse;"> <tr> <td colspan="2" style="text-align: center;"> </td> </tr> <tr> <td colspan="2" style="text-align: center;"> A DIVISION OF A. O. SMITH CORPORATION ELECTRICAL PRODUCTS COMPANY TYPING CITY, OHIO </td> </tr> <tr> <td colspan="2" style="text-align: center;"> 名称: _____ 图号: _____ 比例: NONE 页号: 1 </td> </tr> </table>				A DIVISION OF A. O. SMITH CORPORATION ELECTRICAL PRODUCTS COMPANY TYPING CITY, OHIO		名称: _____ 图号: _____ 比例: NONE 页号: 1										
绘图:	ZHU HONG	05-21-2007																																		
批准:																																				
第三角投影																																				
图框格式发布日期 01-21-2007 图框格式版本 E																																				
机密: 本图纸及相关信息所有权归A. O. SMITH公司所有。未经A. O. SMITH公司书面授权, 不得泄露、复制、传播或作其他用途。一版权所有																																				
ASME Y14.5M 1994																																				
A DIVISION OF A. O. SMITH CORPORATION ELECTRICAL PRODUCTS COMPANY TYPING CITY, OHIO																																				
名称: _____ 图号: _____ 比例: NONE 页号: 1																																				
4	3	2	1																																	