

# PRODUCT INFORMATION PACKET



Model No:  
Catalog No: 149A  
MODEL-RFHP-48FR  
Direct Drive



Regal and Century are trademarks of Regal Beloit Corporation or one of its affiliated companies.  
©2019 Regal Beloit Corporation, All Rights Reserved. MC017097E





**Nameplate Specifications**

Output HP	<b>1/2,1/3,1/4 HP</b>	Output KW	<b>0.37 kW</b>
Frequency	<b>60 Hz</b>	Voltage	<b>208-230 V</b>
Current	<b>3.0,2.0,1.5 A</b>	Speed	<b>1075 RPM</b>
Service Factor	<b>1</b>	Phase	<b>1</b>
Duty	<b>Air Over</b>	Insulation Class	<b>B</b>
Frame	<b>48Y</b>	Enclosure	<b>Semi Enclosed</b>
Overload Protector	<b>Automatic</b>	Ambient Temperature	<b>60 °C</b>
UL	<b>Recognized</b>	CSA	<b>Y</b>
CE	<b>N</b>		

**Technical Specifications**

Electrical Type	<b>Permanent Split Capacitor</b>	Starting Method	<b>Induction Run</b>
Poles	<b>6</b>	Rotation	<b>Reversible</b>
Mounting	<b>Resilient Rings</b>	Motor Orientation	<b>Horizontal</b>
Drive End Bearing	<b>Ball</b>	Opp Drive End Bearing	<b>Ball</b>
Frame Material	<b>Rolled Steel</b>	Shaft Type	<b>Flat</b>
Overall Length	<b>10.47 in</b>	Frame Length	<b>4.38 in</b>
Shaft Diameter	<b>0.500 in</b>	Shaft Extension	<b>4.98 in</b>
Outline Drawing	<b>F48Z03A01</b>	Connection Diagram	<b>614131-351</b>

**This is an uncontrolled document once printed or downloaded and is subject to change without notice. Date Created: 12/12/2019**

REV	ECO	REV BY	DATE	APPD	DATE
C	0025525	E.SINECIO	04-23-2012	R.RASCON	04-23-2012

**GENERAL INFORMATION:**

SHAFT RUNOUT: .001 [.03] T.I.R. PER INCH LENGTH OF EXTENSION

BEARINGS: 203 BALL

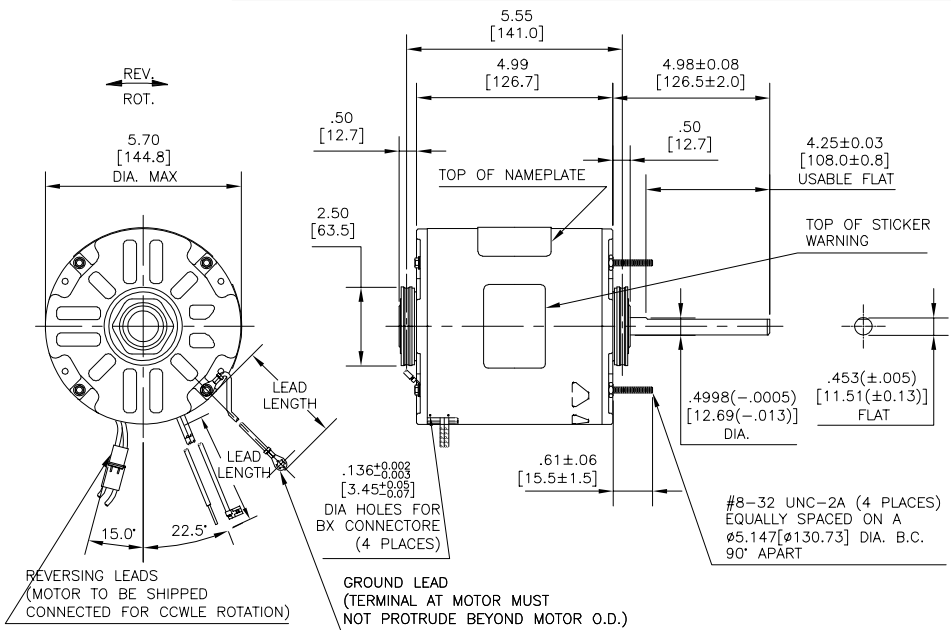
MOUNTING POSITION: HORIZONTAL

**ELECTRICAL DATA:**

OVERLOAD PROTECTOR: AUTOMATIC RESET (T.I. 7AM 036)

LEADS: NO. 18 GA., .06 [1.5] THK. 105°C PVC INSUL.

GROUND LEAD: NO. 18 GA., .03 [.8] THK. (GRN/YEL) INSUL.



NAMEPLATE DATA:	EXTERNAL CONNECTION DIAGRAM
MODEL NO.: F48Z03A01 CUST. P/N: 149A HP: 1/2,1/3,1/4 ROT.: REVERSIBLE RPM: 1075 TYPE: UF FRAME: 48Y VOLTS: 208-230 PH: 1 AMPS: 3.0/2.0/1.5 HZ: 60 INS.: B AMB.: 60°C DUTY: AIR OVER CAP.: 7.5MFD/370V ENCL: SEMI-ENCL. UL LOGO CSA LOGO THERMALLY PROTECTED	

GRN/YEL(GRD)	11/13 [279/330]	#10 EYELET
BLACK/WHITE	3/5 [76/127]	REVERSING PLUG(MALE)
BLACK/WHITE	3/5 [76/127]	REVERSING PLUG(FEMALE)
BROWN	24/22 [610/559]	.25[6.35] FLAG
BROWN/WHITE	24/22 [610/559]	.25[6.35] FLAG
WHITE	24/22 [610/559]	.50[12.7] SKIN
BLACK	24/22 [610/559]	.50[12.7] SKIN
BLUE	24/22 [610/559]	.50[12.7] SKIN
RED	24/22 [610/559]	.50[12.7] SKIN
COLOR	LENGTH	TERMINAL OR STRIP LENGTH

MAIN FRAME - OLE	SEMI-ENCLOSED
END FRAME - OLE	OPEN
MAIN FRAME - LE	ENCLOSED
END FRAME - LE	OPEN

CUSTOMER	DISTRIBUTION
----------	--------------

PERFORMANCE CURVE NO.	TORQUE @ 1075 RPM (25°C)	APPROVED SAMPLE	UL COMPONENT FILE #	CCN #	CSA FILE #	CLASS #
C32662	43.48 OZ. FT.	0603111B	E46412	PRGY2	LR43341	4211-01

**GEOMETRIC CHARACTERISTICS & SYMBOLS**

- FLATNESS
- STRAIGHTNESS
- ANGULARITY
- PERPENDICULARITY (SQUARENESS)
- PARALLELISM
- ROUNDNESS (CIRCULARITY)
- CYLINDRICITY
- PROFILE OF ANY SURFACE
- PROFILE OF ANY LINE
- RUNOUT
- TRUE POSITION
- CONCENTRICITY
- SYMMETRY

ASME Y14.5M 1994

REGAL-BELOIT CORPORATION (RBC) PROVIDES TECHNICAL ASSISTANCE TO OUR CUSTOMERS IN SEVERAL AREAS. SINCE RBC DOES NOT RECEIVE ALL DATA CONCERNING THE USE AND APPLICATION OF THE MOTOR, THE SUITABILITY OF THE MOTOR FOR THE APPLICATION MUST BE DETERMINED BY THE CUSTOMER.

DIMENSIONS WITHOUT TOLERANCES ARE FOR REFERENCE ONLY.

DR BY: AMY 03-16-2007

APPD:

THIRD ANGLE PROJECTION

EDS DATE 02-22-2008  
FORMAT REV C

CONFIDENTIAL: THIS DRAWING AND ITS INFORMATION ARE THE EXCLUSIVE AND CONFIDENTIAL PROPERTY OF REGAL-BELOIT CORPORATION AND ARE NOT TO BE DISCLOSED, DUPLICATED, DISTRIBUTED OR OTHERWISE USED WITHOUT THE WRITTEN CONSENT OF REGAL-BELOIT CORPORATION. -ALL RIGHTS RESERVED.

REGAL-BELOIT CORPORATION

DESCRIPTION: MODEL-RFHP-48FR OUTLINE

SIZE: C DWG NO: F48Z03A01

SCALE: NONE SHEET 1



