

# PRODUCT INFORMATION PACKET



Model No:  
Catalog No: 146A  
MODEL-RFHP-48FR  
Direct Drive



Regal and Century are trademarks of Regal Beloit Corporation or one of its affiliated companies.  
©2019 Regal Beloit Corporation, All Rights Reserved. MC017097E





**Nameplate Specifications**

Output HP	<b>1/6 HP</b>	Output KW	<b>0.13 kW</b>
Frequency	<b>60 Hz</b>	Voltage	<b>115 V</b>
Current	<b>3.3 A</b>	Speed	<b>1050 RPM</b>
Service Factor	<b>1</b>	Phase	<b>1</b>
Duty	<b>Air Over</b>	Insulation Class	<b>B</b>
Frame	<b>48Y</b>	Enclosure	<b>Semi Enclosed</b>
Overload Protector	<b>Automatic</b>	Ambient Temperature	<b>40 °C</b>
UL	<b>Recognized</b>	CSA	<b>Y</b>
CE	<b>N</b>		

**Technical Specifications**

Electrical Type	<b>Permanent Split Capacitor</b>	Starting Method	<b>Induction Run</b>
Poles	<b>6</b>	Rotation	<b>Counterclockwise Lead End</b>
Mounting	<b>Resilient Rings</b>	Motor Orientation	<b>Horizontal</b>
Drive End Bearing	<b>Sleeve</b>	Opp Drive End Bearing	<b>Sleeve</b>
Frame Material	<b>Rolled Steel</b>	Shaft Type	<b>Flat</b>
Overall Length	<b>8.70 in</b>	Frame Length	<b>3.38 in</b>
Shaft Diameter	<b>0.500 in</b>	Shaft Extension	<b>4.05 in</b>
Outline Drawing	<b>F48AA03A01</b>	Connection Diagram	<b>614131-373</b>

**This is an uncontrolled document once printed or downloaded and is subject to change without notice. Date Created: 12/12/2019**

REV	ECO	REV BY	DATE	APPD	DATE
B	0025525	E.SINECIO	04-23-2012	R.RASCON	04-23-2012

**GENERAL INFORMATION:**

SHAFT RUNOUT: .001 [.03] T.I.R. PER INCH LENGTH OF EXTENSION

END PLAY: .010 TO .063 [.25 TO 1.60]

BEARINGS: SLEEVE

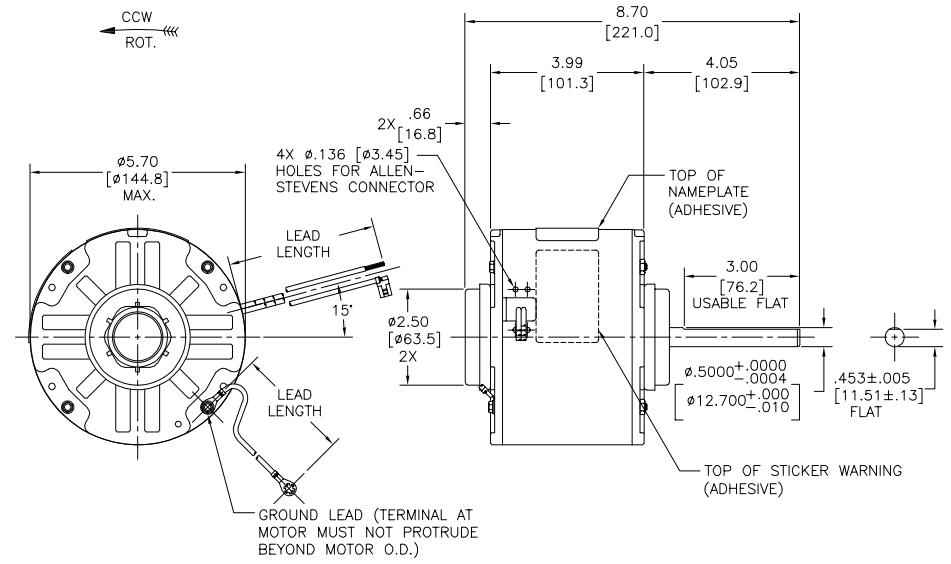
MOUNTING POSITION: HORIZONTAL

**ELECTRICAL DATA:**

OVERLOAD PROTECTOR: AUTOMATIC RESET (T.I. 7AM 036)

LEADS: NO. 18 GA., .03 [.8] THK. XLP 125°C INSUL.

GROUND LEAD: NO. 16 GA., .03 [.8] THK. (GREEN/YELLOW) INSUL.



NAMEPLATE DATA:	EXTERNAL CONNECTION DIAGRAM
MODEL NO.: F48AA03A01 CUST. P/N: 146A HP: 1/6 ROT.: CCWLE RPM: 1050 TYPE: UF FRAME: 48Y VOLTS: 115 PH: 1 AMPS: 3.3 HZ: 60 INS.: B AMB.: 40° C DUTY: AIR OVER CAP.: 5 MFD/370 V ENCL: SEMI-ENCL. UL LOGO CSA LOGO THERMALLY PROTECTED	SEP. CAP. → BROWN BRN/WHT BLACK WHITE LINE

COLOR	LENGTH	TERMINAL OR STRIP LENGTH
GREEN/YELLOW (GROUND)	11.0/13.0 [279/330]	#10 EYELET
BROWN	29.0/31.0 [737/787]	.25 [6.4] FLAG
BROWN/WHITE	29.0/31.0 [737/787]	.25 [6.4] FLAG
BLACK	29.0/31.0 [737/787]	.50 [12.7] SKIN
WHITE	29.0/31.0 [737/787]	.50 [12.7] SKIN

MAIN FRAME - OLE	ENCLOSED
END FRAME - OLE	OPEN
MAIN FRAME - LE	ENCLOSED
END FRAME - LE	OPEN

CUSTOMER	DISTRIBUTION SERVICE
----------	----------------------

PERFORMANCE CURVE NO.	TORQUE @ 1050 RPM (25°C)	APPROVED SAMPLE	UL COMPONENT	CSA
C32746A	18.9 OZ. FT.	0701092A	MODEL 12-FR-036	LR43341 4211-01

**GEOMETRIC CHARACTERISTICS & SYMBOLS**

- FLATNESS
- STRAIGHTNESS
- ∠ ANGULARITY
- ⊥ PERPENDICULARITY (SQUARENESS)
- ∥ PARALLELISM
- ROUNDNESS (CIRCULARITY)
- ⊘ CYLINDRICITY
- ⌒ PROFILE OF ANY SURFACE
- ⌒ PROFILE OF ANY LINE
- ↑ RUNOUT
- ⊕ TRUE POSITION
- ⊙ CONCENTRICITY
- ≡ SYMMETRY

ASME Y14.5M 1994

REGAL-BELOIT CORPORATION (RBC) PROVIDES TECHNICAL ASSISTANCE TO OUR CUSTOMERS IN SEVERAL AREAS. SINCE RBC DOES NOT RECEIVE ALL DATA CONCERNING THE USE AND APPLICATION OF THE MOTOR, THE SUITABILITY OF THE MOTOR FOR THE APPLICATION MUST BE DETERMINED BY THE CUSTOMER.

DIMENSIONS WITHOUT TOLERANCES ARE FOR REFERENCE ONLY.

DR BY: J.RUPERT 08-24-2007

APPD: C.BRANH 08-24-2007

THIRD ANGLE PROJECTION

EDS DATE 02-22-2008  
FORMAT REV C

CONFIDENTIAL: THIS DRAWING AND ITS INFORMATION ARE THE EXCLUSIVE AND CONFIDENTIAL PROPERTY OF REGAL-BELOIT CORPORATION AND ARE NOT TO BE DISCLOSED, DUPLICATED, DISTRIBUTED OR OTHERWISE USED WITHOUT THE WRITTEN CONSENT OF REGAL-BELOIT CORPORATION. -ALL RIGHTS RESERVED.

REGAL-BELOIT CORPORATION

DESCRIPTION: MODEL-RFHP-48FR OUTLINE

SIZE: C DWG NO: F48AA03A01

SCALE: NONE SHEET 1

REVISION: ECO	REVISADO POR: E.SINECIO	FECHA: 04-23-2012	APROBADO POR: R.RASCON	FECHA: 04-23-2012
B	0025525			

**INFORMACION GENERAL:**

OSCILACION DE FLECHA: .001 [.03] T.I.R. PER INCH LENGTH OF EXTENSION

JUEGO AXIAL: .010 A .063 [.25 A 1.60]

BALEROS: CHUMACERA RIGIDA

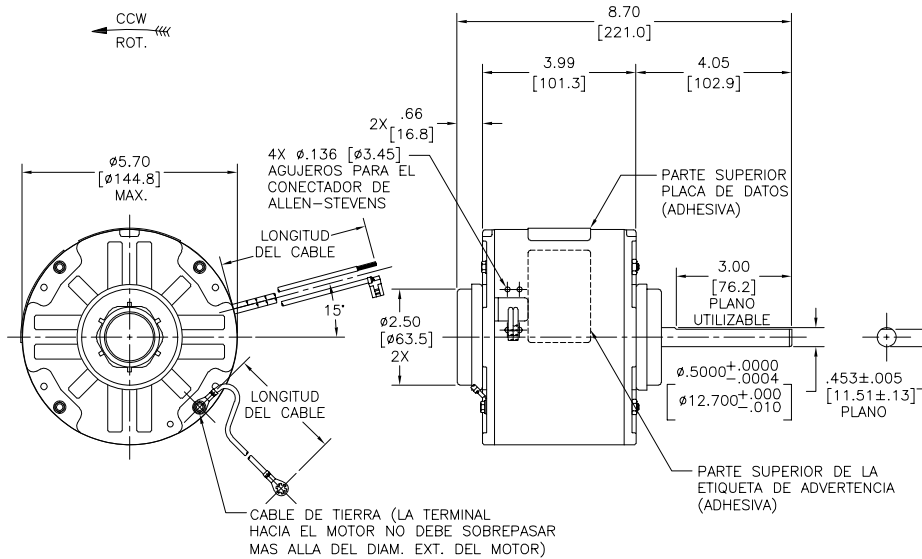
POSICION DEL MONTAJE: HORIZONTAL

**INFORMACION ELECTRICA:**

PROTECTOR DE SOBRECARGA: REINICIO AUTOMATIC (T.I. 7AM 036)

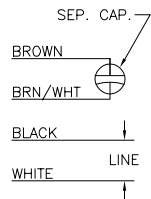
CABLES: NO. 18 GA., .03 [.8] THK. XLP 125°C AISLAM.

CABLE DE TIERRA: NO. 16 GA., .03 [.8] THK. (VERDE/AMARILLO) AISLAM.



INFORMACION DE ETIQUETA:	DIAGRAMA DE CONEXION EXTRNA
--------------------------	-----------------------------

MODEL NO.: F48AA03A01  
 CUST. P/N: 146A  
 HP: 1/6  
 ROT.: CCWLE  
 RPM: 1050  
 TYPE: UF  
 FRAME: 48Y  
 VOLTS: 115  
 PH: 1  
 AMPS: 3.3  
 HZ: 60  
 INS.: B  
 AMB.: 40° C  
 DUTY: AIR OVER  
 CAP.: 5 MFD/370 V  
 ENCL: SEMI-ENCL.  
 UL LOGO  
 CSA LOGO  
 THERMALLY PROTECTED



614131-373

VERDE/AMARILLO (TIERRA)	11.0/13.0 [279/330]	OJAL #10
CAFE	29.0/31.0 [737/787]	.25 [6.4] BANDERA
CAFE/BLANCO	29.0/31.0 [737/787]	.25 [6.4] BANDERA
NEGRO	29.0/31.0 [737/787]	.50 [12.7] DEL PIEL
BLANCO	29.0/31.0 [737/787]	.50 [12.7] DEL PIEL
COLOR	LONGITUD	TERMINAL O LONGITUD DE DESFORRE

CARCASA - LOC	ENCERRADO
TAPA - LOC	ABIERTA
CARCASA - LC	ENCERRADO
TAPA - LC	ABIERTA

CLIENTE	DISTRIBUTION SERVICE
---------	----------------------

CURVAS DE FUNCIONAMIENTO	TORSION @ 1050 RPM (25°C)	MUESTRA APROBADA	COMPONENTE UL	CSA
C32746A	18.9 OZ. FT.	0701092A	E46412 PRGY2	LR43341 4211-01

CARACTERISTICAS DE GEOMETRIA Y SIMBOLOS ▽ PLANICIDAD - RECTITUD ∠ ANGULARIDAD ⊥ PERPENDICULARIDAD (A ESQUADRA) // PARALELISMO ○ REDONDEZ (CIRCULARIDAD) A CILINDRICIDAD ⊖ PERFIL DE CUALQUIER SUPERFICIE ⊖ PERFIL DE CUALQUIER LINEA † VARIACION ⊕ POSICION REAL ⊕ CONCENTRICIDAD = SIMETRIA	REGAL-BELOIT CORPORATION (RBC) PROVEE ASISTENCIA TECNICA A NUESTROS CLIENTES EN VARIAS AREAS DESDE QUE RBC NO RECIBE TODOS LOS DATOS EN RELACION AL USO Y A LA APLICACION DEL MOTOR, LA APLICACION ADECUADA DEL MOTOR DEBE SER DETERMINADA POR EL CLIENTE. DIMENSIONES SIN TOLERANCIA SON DE REFERENCIA SOLAMENTE	DIBUJADO POR: J.RUPERT 08-24-2007 APROBADO POR: C.BRANH 08-24-2007 TERCER ANGULO DE PROYECCION FECHA EDS: 02-22-2008 REV. FORMATO: G CONFIDENCIAL: ESTE DIBUJO Y SU INFORMACION SON PROPIEDAD DE USO EXCLUSIVO Y CONFIDENCIAL DE REGAL-BELOIT CORPORATION. Y NO DEBERAN SER REVELADOS, DUPLICADOS, DISTRIBUIDOS O USARSE DE OTRA MANERA SIN EL CONSENTIMIENTO ESCRITO DE REGAL-BELOIT CORPORATION. -TODOS LOS DERECHOS RESERVADOS.
---	---	---

DESCRIPCION: MODEL-RFHP-48FR OUTLINE TAMAÑO: C NUMERO DE DIBUJO: F48AA03A01 ESCALA: NONE HOJA: 1
--

REGAL-BELOIT CORPORATION MODEL-RFHP-48FR OUTLINE TAMAÑO: C NUMERO DE DIBUJO: F48AA03A01 ESCALA: NONE HOJA: 1
--

版本	ECO	编制	日期	批准	日期
B	0025525	E.SINECIO	04-23-2012	R.RASCON	04-23-2012

总技术要求:

轴跳动: .001[.03]/1[25.4]外伸轴

端部窜动量: .010 到 .063 [1.25 到 1.60]

轴承: 含油轴承

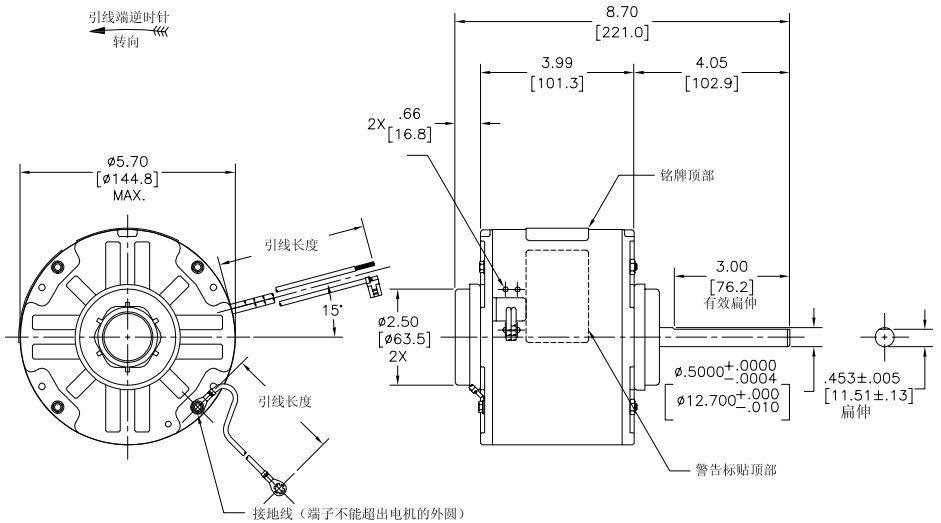
安装位置: 水平

电气数据:

过载保护: 自动复位 (T.I. 7AM 036)

引线: 18# (美制标准), 厚.03[0.8] XLP 125° C 绝缘

接地线: 16# (美制标准), 厚.03[0.8]绿色绝缘



铭牌数据	外部数据线
MODEL NO.: F48AA03A01 CUST. P/N: 146A HP: 1/6 ROT.: CCWLE RPM: 1050 TYPE: UF FRAME: 48Y VOLTS: 115 PH: 1 AMPS: 3.3 HZ: 60 INS.: B AMB.: 40° C DUTY: AIR OVER CAP.: 5 MFD/370 V ENCL: SEMI-ENCL. UL LOGO CSA LOGO THERMALLY PROTECTED	SEP. CAP. BROWN BRN/WHT BLACK WHITE LINE

颜色 (接地线)	长度	端子或剥线长度
绿色 (接地线)	11.0/13.0 [279/330]	#10金属圈
棕	29.0/31.0 [737/787]	.25 [6.4] 旗形插
棕/白	29.0/31.0 [737/787]	.25 [6.4] 旗形插
黑	29.0/31.0 [737/787]	.50 [12.7] 剥皮
白	29.0/31.0 [737/787]	.50 [12.7] 剥皮
颜色	长度	端子或剥线长度

密封性	用户	DISTRIBUTION SERVICE
无引线端机壳	密封	
无引线端端盖	开放	
有引线端机壳	密封	
有引线端端盖	开放	

性能曲线编号	转矩在 1050 RPM 25° C	批准样品	UL部件				CSA	
C32746A	18.9 OZ. FT.	0701092A	文件号	指南	文件号	指南		
			E46412	PRGY2	LR43341	4211-01		

形位公差 □ 平面度 — 直线度 ∠ 倾斜度 ⊥ 垂直度 // 平行度 ○ 圆度 ⊙ 圆跳动 ⊖ 面轮廓度 ⊖ 线轮廓度 ⊕ 圆跳动 ⊕ 位置度 ⊕ 同轴度 ⊕ 对称度	ASME Y14.5M 1994
---	------------------

REGAL-BELOIT CORPORATION (RBC) 在个别领域为客户 提供技术支持。鉴于RBC 未收到任何涉及电机使用和 应用环境的数据，电机的适用性 由客户自己决定。

未注公差尺寸仅供参考。

绘图: J.RUPERT 批准: C.BRANH 第三角投影 机密: 本图纸及相关信息所有权归REGAL-BELOIT CORPORATION 未经REGAL-BELOIT CORPORATION书面授权, 不得泄露、 复制或传播作其他用途。--版权所有	08-24-2007 08-24-2007 02-22-2008 G	名称 MODEL-RFHP-48FR OUTLINE 图幅 C 图号 F48AA03A01 比例 NONE 版号 1
--	---	--