

PRODUCT INFORMATION PACKET

Model No: 145TTDR5337
Catalog No: H681
3,1800,DP,145T,3/60/200-208
Open Drip Proof (ODP)



Regal and Marathon are trademarks of Regal Beloit Corporation or one of its affiliated companies.
©2019 Regal Beloit Corporation, All Rights Reserved. MC017097E



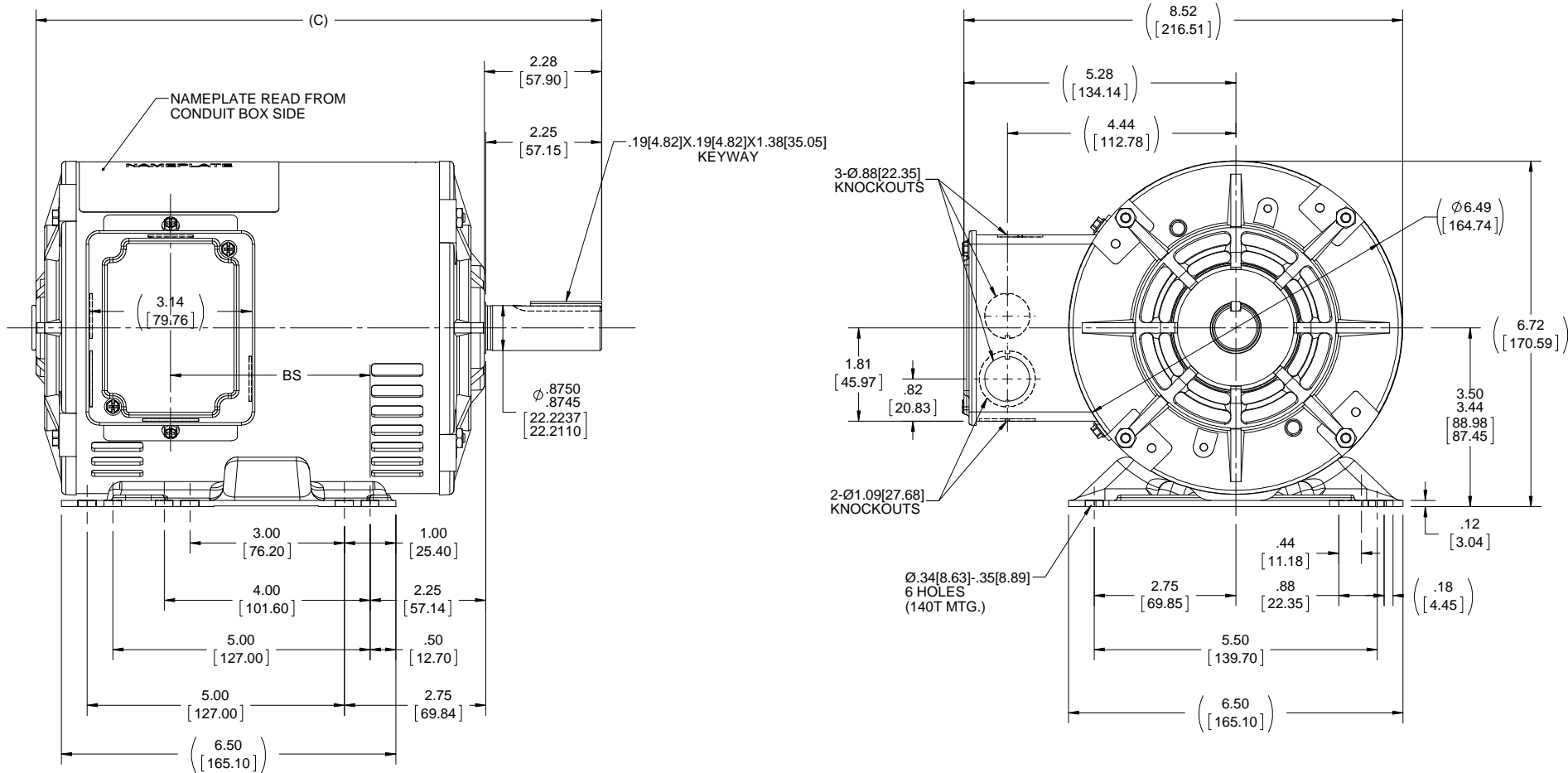
Nameplate Specifications

Output HP	3 HP	Output KW	2.24 kW
Frequency	60 Hz	Voltage	200-208 V
Current	9.9-9.7 A	Speed	1730 RPM
Service Factor	1.15	Phase	3
Efficiency	84 %	Duty	CONTINUOUS
Insulation Class	B	Design Code	B
KVA Code	K	Frame	145T
Enclosure	DP	Overload Protector	NOT
Ambient Temperature	40 °C	Drive End Bearing Size	6205
Opp Drive End Bearing Size	6203	UL	Recognized
CSA	Y	CE	Y
IP Code	22		

Technical Specifications

Electrical Type	SQ CAGE IND RUN	Starting Method	ACROSS THE LINE
Poles	4	Rotation	REV
Mounting	RIGID	Motor Orientation	HORIZONTAL
Drive End Bearing	BALL	Opp Drive End Bearing	BALL
Frame Material	ROLLED STEEL	Shaft Type	T
Overall Length	13.49 in	Frame Length	9.56 in
Shaft Diameter	.88 in	Shaft Extension	2.28 in
Assembly/Box Mounting	F1 ONLY		
Outline Drawing	A-100085-956	Connection Diagram	A-EE7300

This is an uncontrolled document once printed or downloaded and is subject to change without notice. Date Created: 09/22/2019



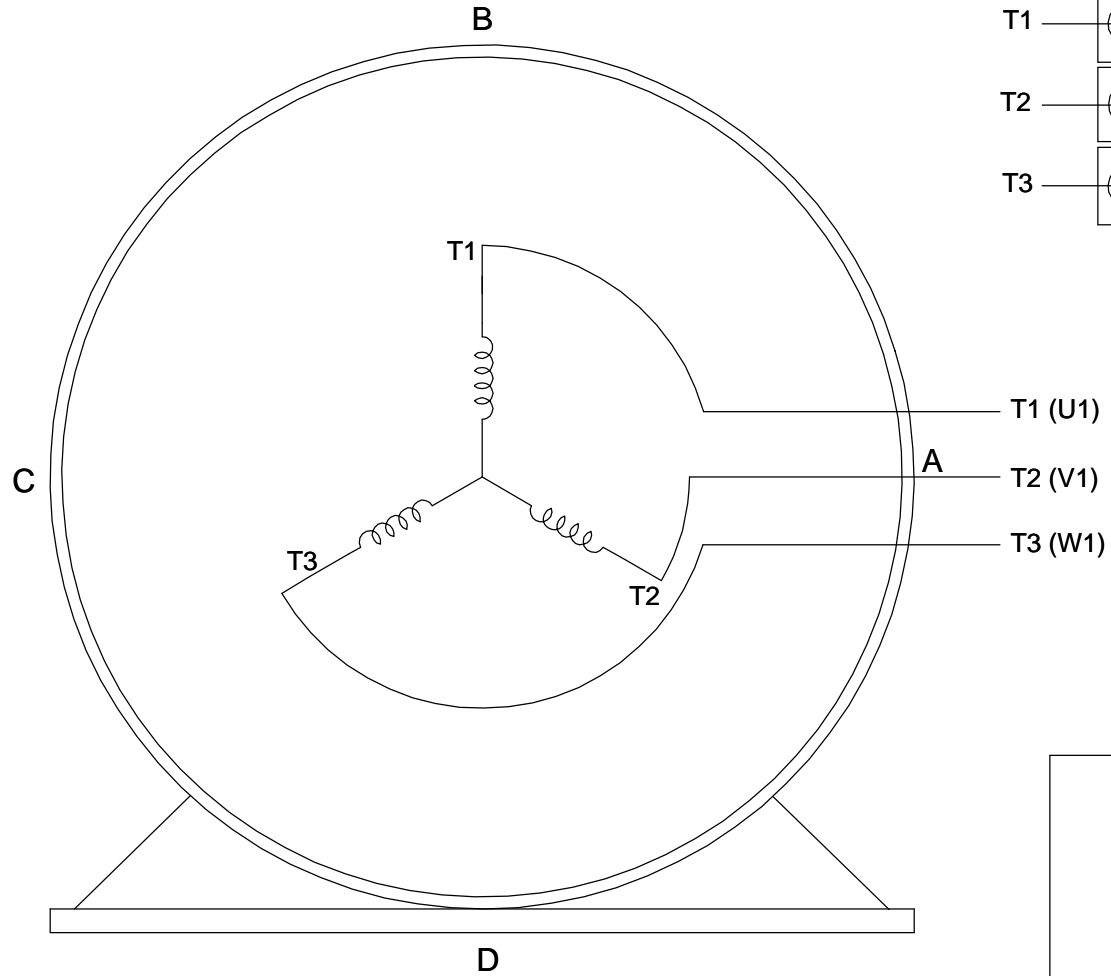
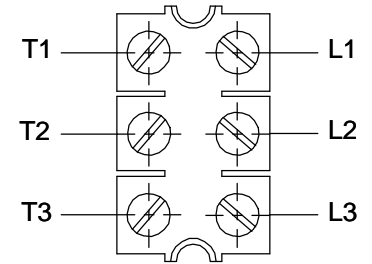
NOTES:
1.CONDUIT BOX CAN BE ROTATED 180°.

DASH NO.	"C"	"BS"	DRAWING REVISION E	REVISION BY A. KEETHA	DATE 01-09-2018	TOLERANCES UNLESS OTHERWISE SPECIFIED: DEC. INCH mm ANGLE -X ±0.1 [+2.5] ±7-30° .XX ±0.03 [+0.76] .XXX ±0.005 [+0.127] .XXXX ±0.0005 [+0.0127]	DRAWN BY GK	Regal Beloit America, Inc.		
706	10.99[279.14]	3.87[98.29]	ECO ECO-0143026	APPROVED BY PST	DATE 04/11/2018	REMOVE BURRS & BREAK SHARP EDGES: .003/.015 [.076/.381] X 45° CORNER FILLETS: R.02 [.51]	DATE 02-04-1988		DESCRIPTION OUTLINE 140T & 56HZ - DR.PR.	
756	11.49[291.84]	4.37[110.99]	ECO DESCRIPTION OUTLINE CONVERSION PROJECT			PROPRIETARY AND CONFIDENTIAL INFORMATION - THIS DOCUMENT IS THE PROPERTY OF REGAL BELOIT AMERICA, INC. ("OWNER") AND CONTAINS OWNER'S PROPRIETARY INFORMATION. ANY PERSON, CORPORATION OR OTHER FIRM RECEIVING IT IS DEEMED, BY RECEIVING IT, TO AGREE THAT IT, AND/OR ANY PART OF IT, SHALL NOT BE DISCLOSED TO ANY PERSON, CORPORATION OR OTHER ENTITY, DUPLICATED, AND/OR USED, EXCEPT AS EXPRESSLY APPROVED IN WRITING IN ADVANCE BY OWNER. THIS DOCUMENT SHALL BE RETURNED TO OWNER UPON REQUEST. IT MAY BE SUBJECT TO CERTAIN RESTRICTIONS UNDER APPLICABLE EXPORT CONTROL LAWS AND REGULATIONS.	APPROVED BY FG	MATERIAL	PROCESS/FINISH	
806	11.99[304.54]	4.87[123.69]	COPYRIGHT REGAL BELOIT AMERICA, INC. ALL RIGHTS RESERVED.			MACHINED SURFACES: 200 5.1 INCH mm	DATE 02-04-1998	REFERENCE 100085	DRAWING NUMBER 100085	SHEET 1 OF 1
906	12.99[329.94]	5.87[149.09]					THIRD ANGLE PROJECTION	SIZE B		
956	13.49[342.64]	6.37[161.79]								

**THREE PHASE - SINGLE VOLTAGE
MOTOR - CONDUIT BOX @ 'A'**

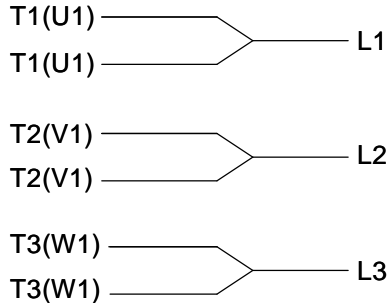
**TO REVERSE ROTATION:
INTERCHANGE ANY TWO
LINE LEAD CONNECTIONS.**

TERMINAL BLOCK WHEN SPECIFIED



VIEW OF TERMINAL END

**IF MOTOR HAS
6 LEADS**



A-9806 DECAL

**OPTIONAL CORD
CONNECTION**

- L1 WHITE
- L2 RED
- L3 BLACK

DRAWING REVISION AB	REVISION BY JJB	DATE 06-27-2017
ECO ECO-0125361	APPROVED BY TB	DATE 06-27-2017
ECO DESCRIPTION UPDATED TO CURRENT STANDARDS		
<small>COPYRIGHT REGAL BELOIT AMERICA, INC. ALL RIGHTS RESERVED. PROPRIETARY AND CONFIDENTIAL INFORMATION - THIS DOCUMENT IS THE PROPERTY OF REGAL BELOIT AMERICA, INC. ("OWNER") AND CONTAINS OWNER'S PROPRIETARY INFORMATION. ANY PERSON, CORPORATION OR OTHER FIRM RECEIVING IT IS DEEMED, BY RECEIVING IT, TO AGREE THAT IT, AND/OR ANY PART OF IT, SHALL NOT BE DISCLOSED TO ANY PERSON, CORPORATION OR OTHER ENTITY, DUPLICATED, AND/OR USED, EXCEPT AS EXPRESSLY APPROVED IN WRITING IN ADVANCE BY OWNER. THIS DOCUMENT SHALL BE RETURNED TO OWNER UPON REQUEST. IT MAY BE SUBJECT TO CERTAIN RESTRICTIONS UNDER APPLICABLE EXPORT CONTROL LAWS AND REGULATIONS.</small>		



DRAWN BY DA
DATE 03-26-1993
APPROVED BY TB
DATE 03-26-1993
REFERENCE
THIRD ANGLE PROJECTION

Regal Beloit America, Inc.	
MATERIAL	PROCESS/FINISH
SIZE A	DRAWING NUMBER EE7300
SHEET 1 OF 1	