

# PRODUCT INFORMATION PACKET

Model No: 145TTDR5311  
Catalog No: C102  
2,3600,DP,145TC,3/60/208-230/460  
Other Purpose



Regal and Marathon are trademarks of Regal Beloit Corporation or one of its affiliated companies.  
©2019 Regal Beloit Corporation, All Rights Reserved. MC017097E



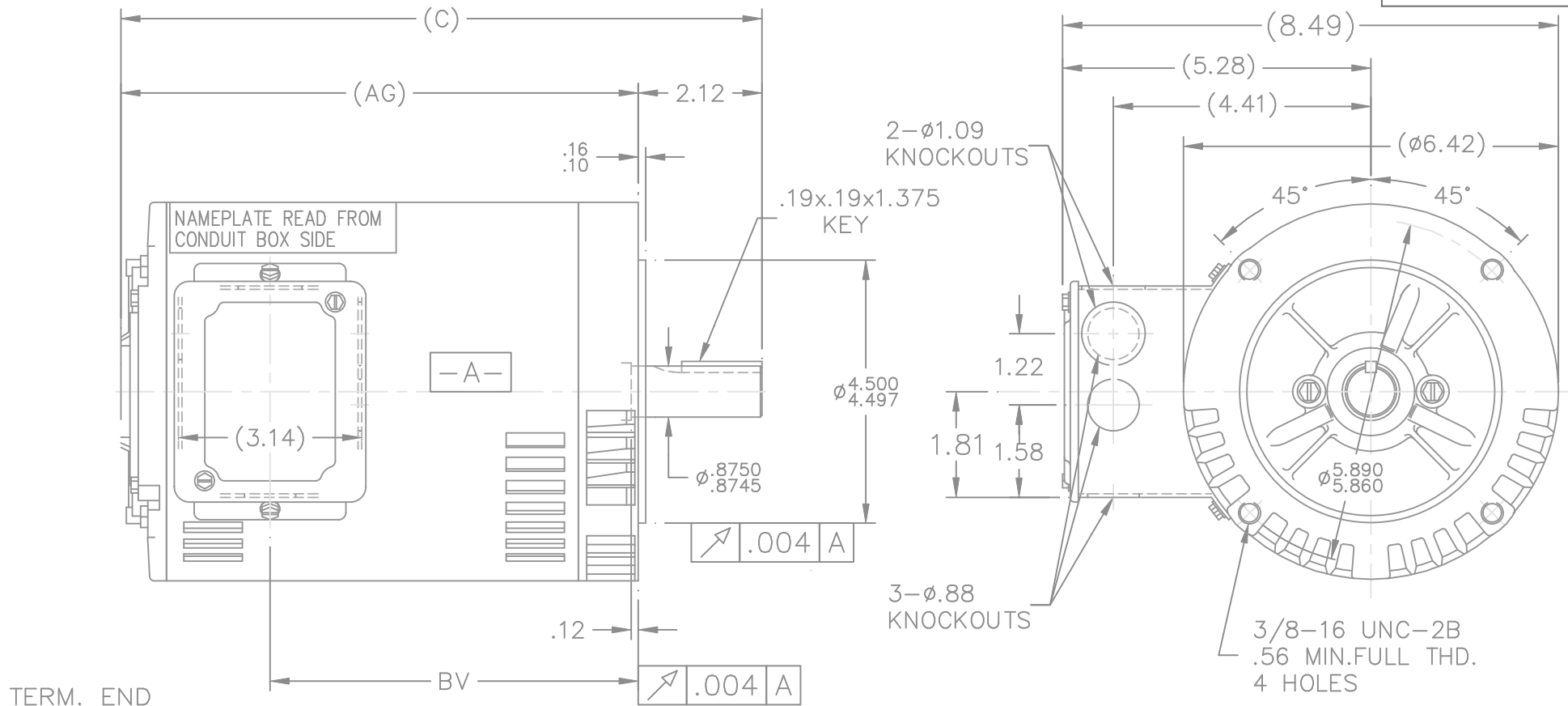
### Nameplate Specifications

Output HP	<b>2 HP</b>	Output KW	<b>1.5 kW</b>
Frequency	<b>60 Hz</b>	Voltage	<b>208-230/460 V</b>
Current	<b>6.4-6.2/3.1 A</b>	Speed	<b>3480 RPM</b>
Service Factor	<b>1.15</b>	Phase	<b>3</b>
Efficiency	<b>80 %</b>	Duty	<b>Continuous</b>
Insulation Class	<b>B</b>	Design Code	<b>B</b>
KVA Code	<b>J</b>	Frame	<b>145TC</b>
Enclosure	<b>Drip Proof</b>	Overload Protector	<b>No</b>
Ambient Temperature	<b>40 °C</b>	Drive End Bearing Size	<b>6205</b>
Opp Drive End Bearing Size	<b>6203</b>	UL	<b>Recognized</b>
CSA	<b>Y</b>	CE	<b>Y</b>
IP Code	<b>22</b>		

### Technical Specifications

Electrical Type	<b>Squirrel Cage Induction Run</b>	Starting Method	<b>Across The Line</b>
Poles	<b>2</b>	Rotation	<b>Reversible</b>
Mounting	<b>Round</b>	Motor Orientation	<b>Horizontal</b>
Drive End Bearing	<b>Ball</b>	Opp Drive End Bearing	<b>Ball</b>
Frame Material	<b>Rolled Steel</b>	Shaft Type	<b>T</b>
Overall Length	<b>10.49 in</b>	Frame Length	<b>6.56 in</b>
Shaft Diameter	<b>0.880 in</b>	Shaft Extension	<b>2.12 in</b>
Assembly/Box Mounting	<b>F1 Only</b>		
Outline Drawing	<b>A-100097-656</b>	Connection Diagram	<b>A-EE7308</b>

This is an uncontrolled document once printed or downloaded and is subject to change without notice. Date Created: 11/12/2019



TERM. END

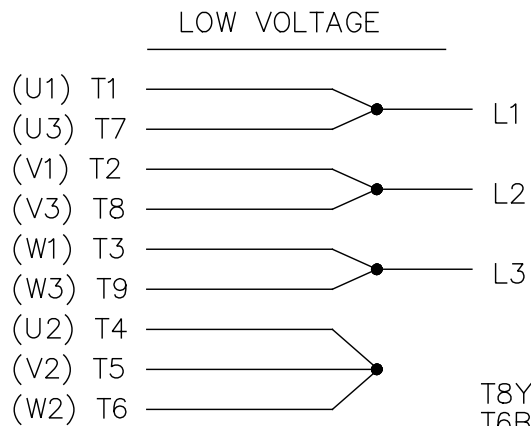
DASH	FR.	C	AG	BV	DASH	FR.	C	AG	BV
					806	140TC	11.99	9.87	7.31
656	140TC	10.49	8.37	5.81	856	140TC	12.49	10.37	7.81
706	140TC	10.99	8.87	6.31	906	140TC	12.99	10.87	8.31
756	140TC	11.49	9.37	6.81	956	140TC	13.49	11.37	8.81

NOTES:  
1. CONDUIT BOX CAN BE ROTATED 180°

				TOLERANCES UNLESS SPECIFIED		MARATHON ELECTRIC	DRAWN SMC 04-24-1991			
				DEC.	INCHES		CHK	ML	APPD	GK
7	FRAME WAS 140TCZ	CN 31509	TJB	03-30-2001	.X	$\pm .1$	TITLE OUTLINE 140TC FR. DR.PR. - C'FACE	SCALE	3=8	
6	ADDED SHAFT KEY NOTE: .19X.19X1.375	CN29200-1254	MSG	01-06-2001	.XX	$\pm .03$		REF		
5	REVISED 'C' DIMENSION	CN 29200-1189	MSG	12-11-2000	.XXX	$\pm .005$		FMF		
4	REDRAWN ON CADD		SMC	04-24-1991	.XXXX	$\pm .0005$		PREV		
NO.	REVISION		BY & DATE		CHK	ANG		FINISH		
THIS DRAWING IN DESIGN AND DETAIL IS OUR PROPERTY AND MUST NOT BE USED EXCEPT IN CONNECTION WITH OUR WORK ALL RIGHTS OF DESIGN AND INVENTION ARE RESERVED THIS IS AN ELECTRONICALLY GENERATED DOCUMENT - DO NOT SCALE THIS PRINT					RFP		CAD FILE 100097	SIZE	DRAWING NO. PAGE OF REV.	
					DIST	WP		A	100097 7	

EE7308

THREE PHASE  
DUAL VOLTAGE MOTOR



VIEW OF TERMINAL END

REF.  
WINDING DIAGRAM

T8Y, T2Y, T2BL, T4BX, T2EC, T2G  
T6BZ, T2B, T6BL, T4AV, T6B, T4B

OPTIONAL CORD  
CONNECTION

L1 — WHITE  
L2 — RED  
L3 — BLACK

NO.	REVISION	BY & DATE	CHK	ANG	TOLERANCES UNLESS SPECIFIED		FINISH	DRAWN RM 11/20/1990				
					DEC.	INCHES						
5	CHG TO REGAL LOGO	SL 09/10/2015	AB					CHK ML 11/21/1990				
4	REVISED IEC NOTATIONS	MSG 11/15/2011	CMN	.X	±.1			APPD SAS 04/24/2003				
3	ADDED IEC NOTATIONS... (U1), (V1) ETC. MU95194	MSG 5/10/2010	MJS	.XX	±.02			SCALE 1=1				
2	ADDED THE OPTIONAL CORD CONNECTION MU46318	RDH 04/24/2003	DRS	.XXX	±.005		TITLE CONNECTION DIAGRAM 3Ø - DUAL VOLTAGE MOTOR	REF				
1	REDRAWN	RM 11/20/1990		.XXXX	±.0005		MAT'L.	FMF				
					±7'30"			PREV				
THIS DRAWING IN DESIGN AND DETAIL IS OUR PROPERTY AND MUST NOT BE USED EXCEPT IN CONNECTION WITH OUR WORK ALL RIGHTS OF DESIGN AND INVENTION ARE RESERVED THIS IS AN ELECTRONICALLY GENERATED DOCUMENT - DO NOT SCALE THIS PRINT							RFP	CAD FILE ee7308	SIZE A	DRAWING NO. EE7308	PAGE OF 5	REV. 5
							DIST WP					

