

PRODUCT INFORMATION PACKET

Model No: 145TTDR4016
Catalog No: E132
2,3600,DP,145JMV,3/60/200
JM



Regal and Marathon are trademarks of Regal Beloit Corporation or one of its affiliated companies.

©2019 Regal Beloit Corporation, All Rights Reserved. MC017097E





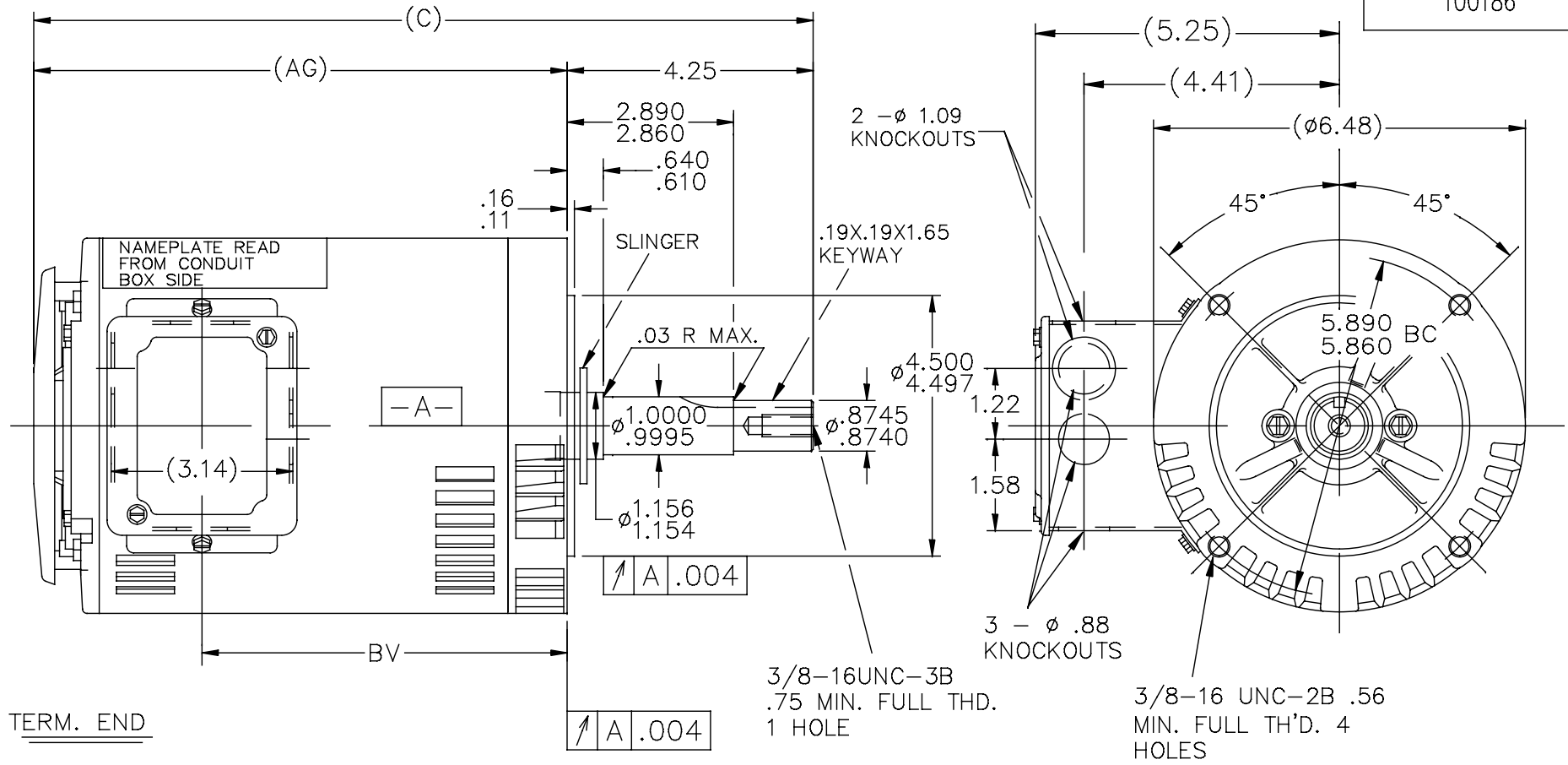
Nameplate Specifications

Output HP	2 HP	Output KW	1.49 kW
Frequency	60 Hz	Voltage	200 V
Current	6.2 A	Speed	3510 RPM
Service Factor	1.15	Phase	3
Efficiency	84 %	Duty	CONTINUOUS
Insulation Class	B	Design Code	B
KVA Code	K	Frame	145JMV
Enclosure	DP	Overload Protector	NOT
Ambient Temperature	40 °C	Drive End Bearing Size	6206
Opp Drive End Bearing Size	6203	UL	Recognized
CSA	Y	CE	Y
IP Code	22		

Technical Specifications

Electrical Type	SQ CAGE IND RUN	Starting Method	ACROSS THE LINE
Poles	2	Rotation	REV
Mounting	ROUND	Motor Orientation	SHAFT DOWN
Drive End Bearing	BALL	Opp Drive End Bearing	BALL
Frame Material	ROLLED STEEL	Shaft Type	JM
Overall Length	13.42 in	Frame Length	7.06 in
Shaft Diameter	.88 in	Shaft Extension	4.25 in
Assembly/Box Mounting	F1 ONLY		
Outline Drawing	A-100186-706	Connection Diagram	A-EE7300

100186



TERM. END

DASH	FRAME	C	AG	BV	DASH	FRAME	C	AG	BV
					806	140	14.42	10.17	7.31
656	140	12.92	8.67	5.81	856	"	14.92	10.67	7.81
706	140	13.42	9.17	6.31	906	"	15.42	11.17	8.31
756	140	13.92	9.67	6.81	956	"	15.92	11.67	8.81

NOTE: CONDUIT BOX CAN BE ROTATED 180°

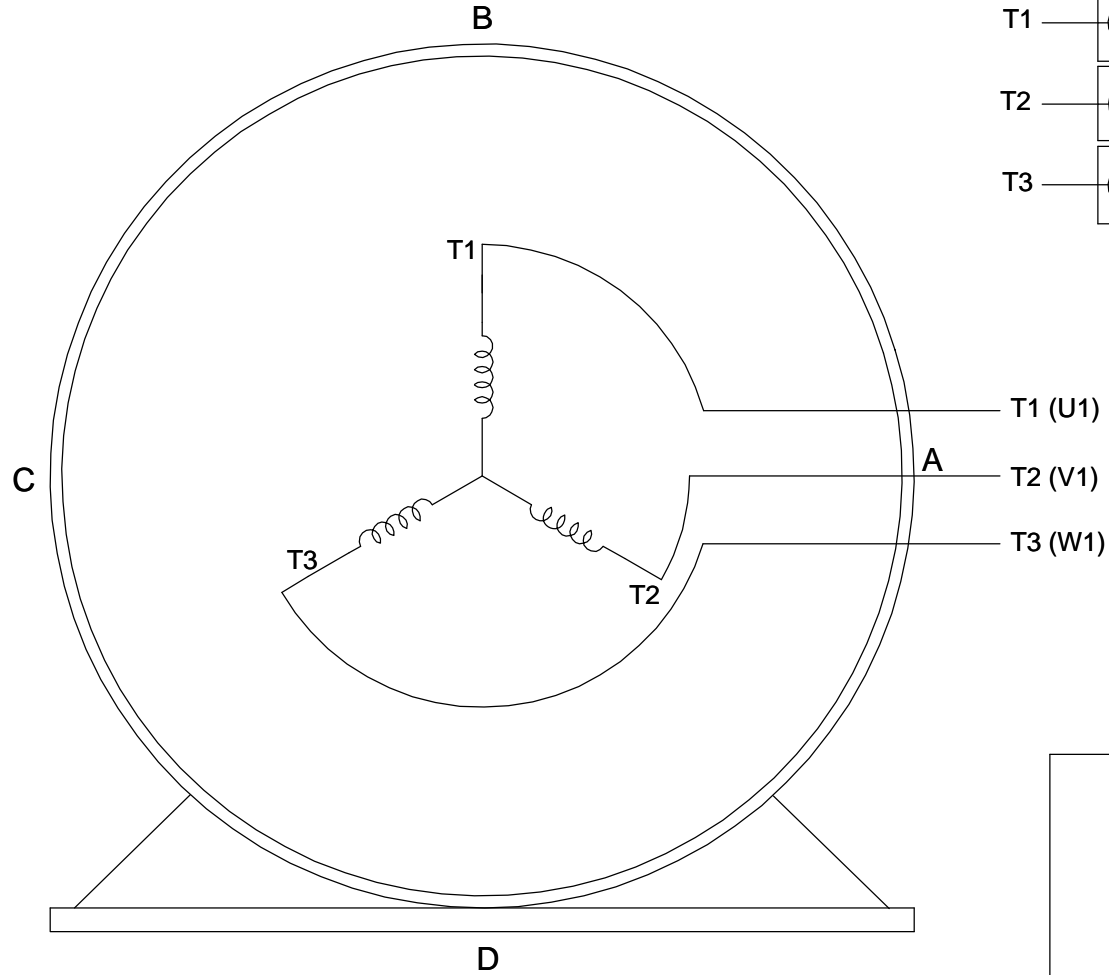
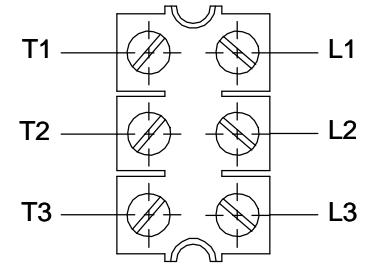
NO.	REVISION	BY & DATE	CHK	ANG	TOLERANCES UNLESS SPECIFIED		FINISH	DRAWN SMC 10-30-1990			
					DEC.	INCHES					
6	UPDATED TO REGAL LOGO	SAJ 07-06-2015	VS					CHK ML 10-31-1990			
5	REVISED AK DIA ECR-0044440	SVL 11-06-2013		.X	±.1			APPD			
4	REDRAWN IN AUTOCAD	TAT 07-06-2004	ML	.XX	±.03		TITLE OUTLINE	SCALE 3=8			
3	.75 FULL THD. WAS .88	CN 13229 RM 04-26-1991		.XXX	±.005		140T FR.-BB-DR.PR-C FACE-3 ϕ -JM. EXT.	REF			
2	REDRAWN ON CADD	SMC 10-30-1990		.XXXX	±.0005		MAT'L	FMF			
					±7'30"			PREV			
THIS DRAWING IN DESIGN AND DETAIL IS OUR PROPERTY AND MUST NOT BE USED EXCEPT IN CONNECTION WITH OUR WORK ALL RIGHTS OF DESIGN AND INVENTION ARE RESERVED THIS IS AN ELECTRONICALLY GENERATED DOCUMENT - DO NOT SCALE THIS PRINT				RFP	CAD FILE 100186			SIZE A	DRAWING NO. 100186	PAGE OF 6	REV. 6
				DIST	WP						



**THREE PHASE - SINGLE VOLTAGE
MOTOR - CONDUIT BOX @ 'A'**

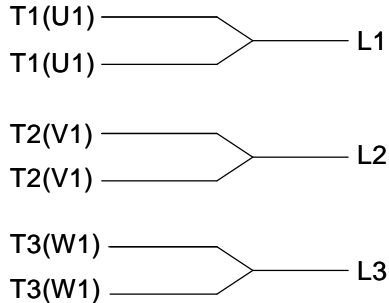
**TO REVERSE ROTATION:
INTERCHANGE ANY TWO
LINE LEAD CONNECTIONS.**

TERMINAL BLOCK WHEN SPECIFIED



VIEW OF TERMINAL END

**IF MOTOR HAS
6 LEADS**



A-9806 DECAL

**OPTIONAL CORD
CONNECTION**

- L1 _____ WHITE _____
- L2 _____ RED _____
- L3 _____ BLACK _____

DRAWING REVISION AB	REVISION BY JJB	DATE 06-27-2017
ECO ECO-0125361	APPROVED BY TB	DATE 06-27-2017
ECO DESCRIPTION UPDATED TO CURRENT STANDARDS		
<small>COPYRIGHT REGAL BELOIT AMERICA, INC. ALL RIGHTS RESERVED. PROPRIETARY AND CONFIDENTIAL INFORMATION - THIS DOCUMENT IS THE PROPERTY OF REGAL BELOIT AMERICA, INC. ("OWNER") AND CONTAINS OWNER'S PROPRIETARY INFORMATION. ANY PERSON, CORPORATION OR OTHER FIRM RECEIVING IT IS DEEMED, BY RECEIVING IT, TO AGREE THAT IT, AND/OR ANY PART OF IT, SHALL NOT BE DISCLOSED TO ANY PERSON, CORPORATION OR OTHER ENTITY, DUPLICATED, AND/OR USED, EXCEPT AS EXPRESSLY APPROVED IN WRITING IN ADVANCE BY OWNER. THIS DOCUMENT SHALL BE RETURNED TO OWNER UPON REQUEST. IT MAY BE SUBJECT TO CERTAIN RESTRICTIONS UNDER APPLICABLE EXPORT CONTROL LAWS AND REGULATIONS.</small>		



DRAWN BY DA
DATE 03-26-1993
APPROVED BY TB
DATE 03-26-1993
REFERENCE
THIRD ANGLE PROJECTION

Regal Beloit America, Inc.		
		DESCRIPTION CONNECTION DIAGRAM EXTERNAL - SINGLE VOLTAGE - 3Ø MOTOR
MATERIAL	PROCESS/FINISH	
SIZE A	DRAWING NUMBER EE7300	SHEET 1 OF 1