

PRODUCT INFORMATION PACKET

Model No: 143TTDR5338
Catalog No: M101
1,1800,DP,143JP,3/60/208-230/460
Other Purpose



Regal and Marathon are trademarks of Regal Beloit Corporation or one of its affiliated companies.
©2019 Regal Beloit Corporation, All Rights Reserved. MC017097E



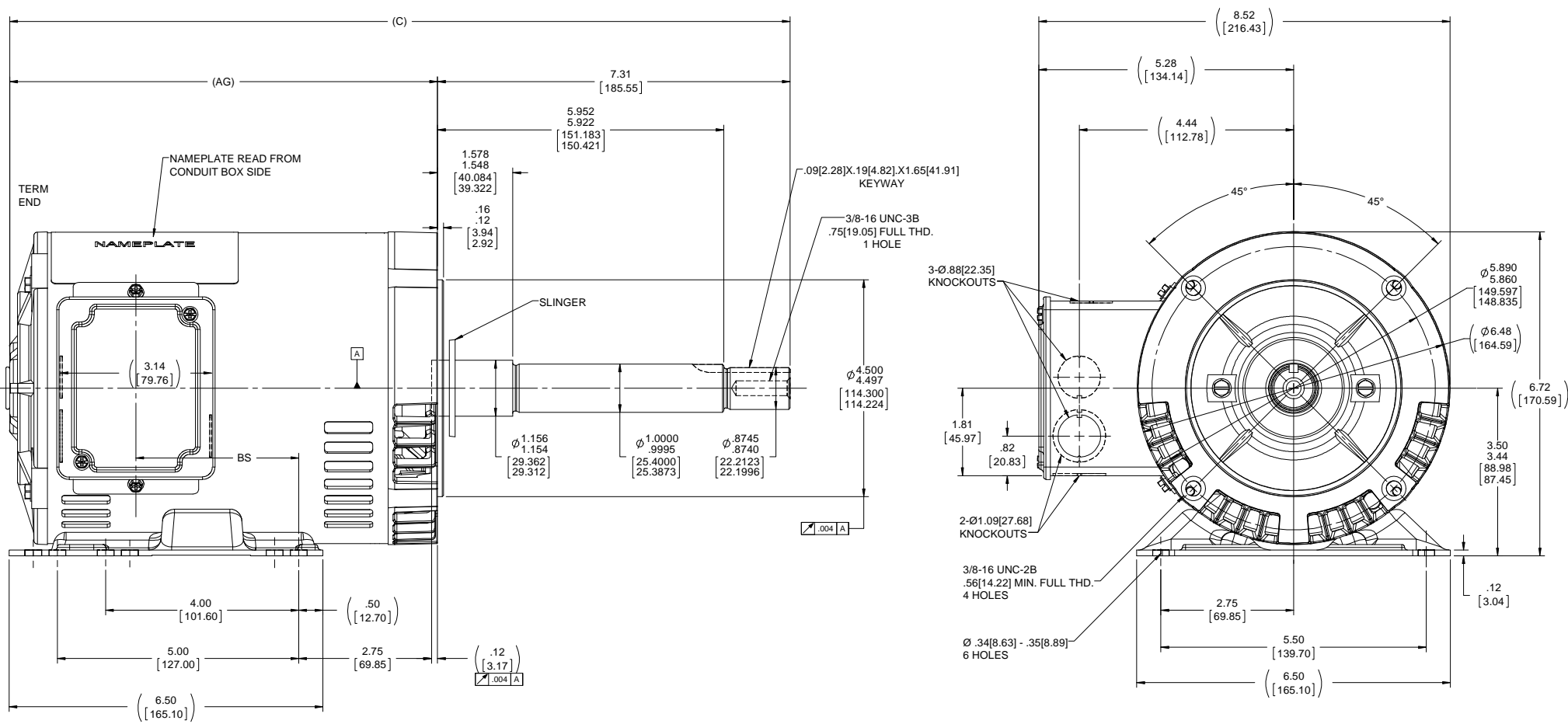


Nameplate Specifications

Output HP	1 HP	Output KW	0.75 kW
Frequency	60 Hz	Voltage	208-230/460 V
Current	3.4-3.6/1.8 A	Speed	1730 RPM
Service Factor	1.15	Phase	3
Efficiency	77 %	Duty	Continuous
Insulation Class	B	Design Code	B
KVA Code	L	Frame	143JP
Enclosure	Drip Proof	Overload Protector	No
Ambient Temperature	40 °C	Drive End Bearing Size	6206
Opp Drive End Bearing Size	6203	UL	Recognized
CSA	Y	CE	N
IP Code	22		

Technical Specifications

Electrical Type	Squirrel Cage Induction Run	Starting Method	Across The Line
Poles	4	Rotation	Reversible
Mounting	Rigid Base	Motor Orientation	Horizontal
Drive End Bearing	Ball	Opp Drive End Bearing	Ball
Frame Material	Rolled Steel	Shaft Type	JP
Overall Length	16.18 in	Frame Length	7.06 in
Shaft Diameter	0.875 in	Shaft Extension	7.31 in
Assembly/Box Mounting	F1 ONLY		
Outline Drawing	A-100132-706	Connection Diagram	A-EE7308



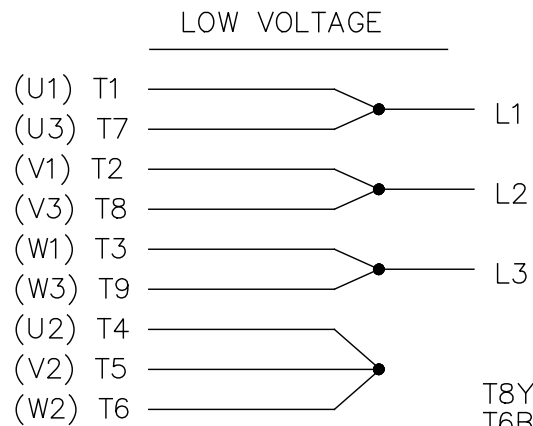
DASH NO.	"C"	"AG"	"BS"
706	16.17[410.71]	8.87[225.29]	3.37[85.59]
756	16.67[423.41]	9.37[237.99]	3.87[98.29]
806	17.17[436.11]	9.87[250.69]	4.37[110.99]
856	17.67[448.81]	10.37[263.39]	4.87[123.69]
906	18.17[461.51]	10.87[276.09]	5.37[136.39]

NOTES:
CONDUIT BOX CAN BE ROTATED IN 180° STEPS.

DRAWING REVISION ECO-0143026	REVISION BY A. KEETHA PST	DATE 04/11/2018	TOLERANCES UNLESS OTHERWISE SPECIFIED: FRACTIONS: .001, .002, .003, .005, .010, .015, .020, .030, .040, .050, .060, .070, .080, .090, .100, .125, .150, .175, .200, .250, .300, .375, .450, .500, .625, .750, .875, 1.000, 1.250, 1.500, 2.000, 2.500, 3.000, 3.750, 4.500, 5.000, 6.000, 7.000, 8.000, 9.000, 10.000 DECIMALS: .001, .002, .003, .005, .010, .015, .020, .030, .040, .050, .060, .070, .080, .090, .100, .125, .150, .175, .200, .250, .300, .375, .450, .500, .625, .750, .875, 1.000, 1.250, 1.500, 2.000, 2.500, 3.000, 3.750, 4.500, 5.000, 6.000, 7.000, 8.000, 9.000, 10.000 ANGLES: 15, 30, 45, 60, 75, 90, 105, 120, 135, 150, 165, 180	DRAWN BY BRH	DATE 11/02/1995	APPROVED BY GK	DESCRIPTION 140 FR. 88-DR-PR-.38-C FACE-3P EXT.
OUTLINE CONVERSION PROJECT			REGAL BELLOIT AMERICA, INC. COMPANY AND CUSTOMER PROPERTY INFORMATION IS UNCLASSIFIED AND PUBLIC RELEASE IS UNLIMITED. THIS INFORMATION IS UNCLASSIFIED EXCEPT WHERE SHOWN OTHERWISE.	DATE 11/02/1995	MATERIAL 140 FR. 88-DR-PR-.38-C FACE-3P EXT.	PROCESSING	THIRD ANGLE PROJECTION
REGAL BELLOIT AMERICA, INC. COMPANY AND CUSTOMER PROPERTY INFORMATION IS UNCLASSIFIED AND PUBLIC RELEASE IS UNLIMITED. THIS INFORMATION IS UNCLASSIFIED EXCEPT WHERE SHOWN OTHERWISE.				SIZE D	DRAWING NUMBER 100132	SHEET 1 OF 1	

EE7308

THREE PHASE
DUAL VOLTAGE MOTOR



VIEW OF TERMINAL END

REF.
WINDING DIAGRAM

T8Y, T2Y, T2BL, T4BX, T2EC, T2G
T6BZ, T2B, T6BL, T4AV, T6B, T4B

OPTIONAL CORD
CONNECTION

L1 — WHITE
L2 — RED
L3 — BLACK

NO.	REVISION	BY & DATE	CHK	ANG	TOLERANCES UNLESS SPECIFIED		FINISH	DRAWN RM 11/20/1990				
					DEC.	INCHES						
5	CHG TO REGAL LOGO	SL 09/10/2015	AB					CHK ML 11/21/1990				
4	REVISED IEC NOTATIONS	MSG 11/15/2011	CMN	.X	±.1			APPD SAS 04/24/2003				
3	ADDED IEC NOTATIONS... (U1), (V1) ETC. MU95194	MSG 5/10/2010	MJS	.XX	±.02		TITLE CONNECTION DIAGRAM	SCALE 1=1				
2	ADDED THE OPTIONAL CORD CONNECTION MU46318	RDH 04/24/2003	DRS	.XXX	±.005		3Ø - DUAL VOLTAGE MOTOR	REF				
1	REDRAWN	RM 11/20/1990		.XXXX	±.0005		MAT'L.	FMF				
					±7'30"			PREV				
THIS DRAWING IN DESIGN AND DETAIL IS OUR PROPERTY AND MUST NOT BE USED EXCEPT IN CONNECTION WITH OUR WORK ALL RIGHTS OF DESIGN AND INVENTION ARE RESERVED THIS IS AN ELECTRONICALLY GENERATED DOCUMENT - DO NOT SCALE THIS PRINT							RFP	CAD FILE ee7308	SIZE A	DRAWING NO. EE7308	PAGE OF 5	REV. 5
							DIST WP					

