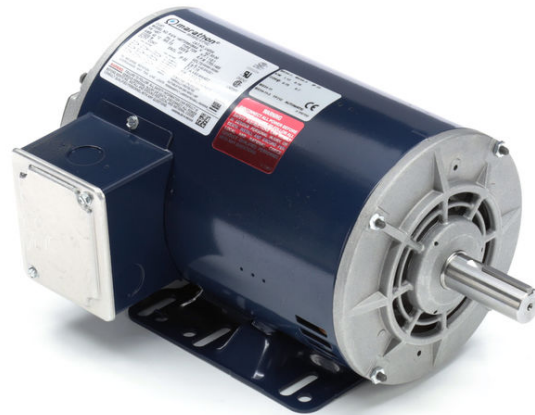


PRODUCT INFORMATION PACKET

Model No: 143TTDR4061
Catalog No: U416
1,1800,DP,143T,3/60/200-208
Open Drip Proof (ODP)



Regal and Marathon are trademarks of Regal Beloit Corporation or one of its affiliated companies.
©2019 Regal Beloit Corporation, All Rights Reserved. MC017097E





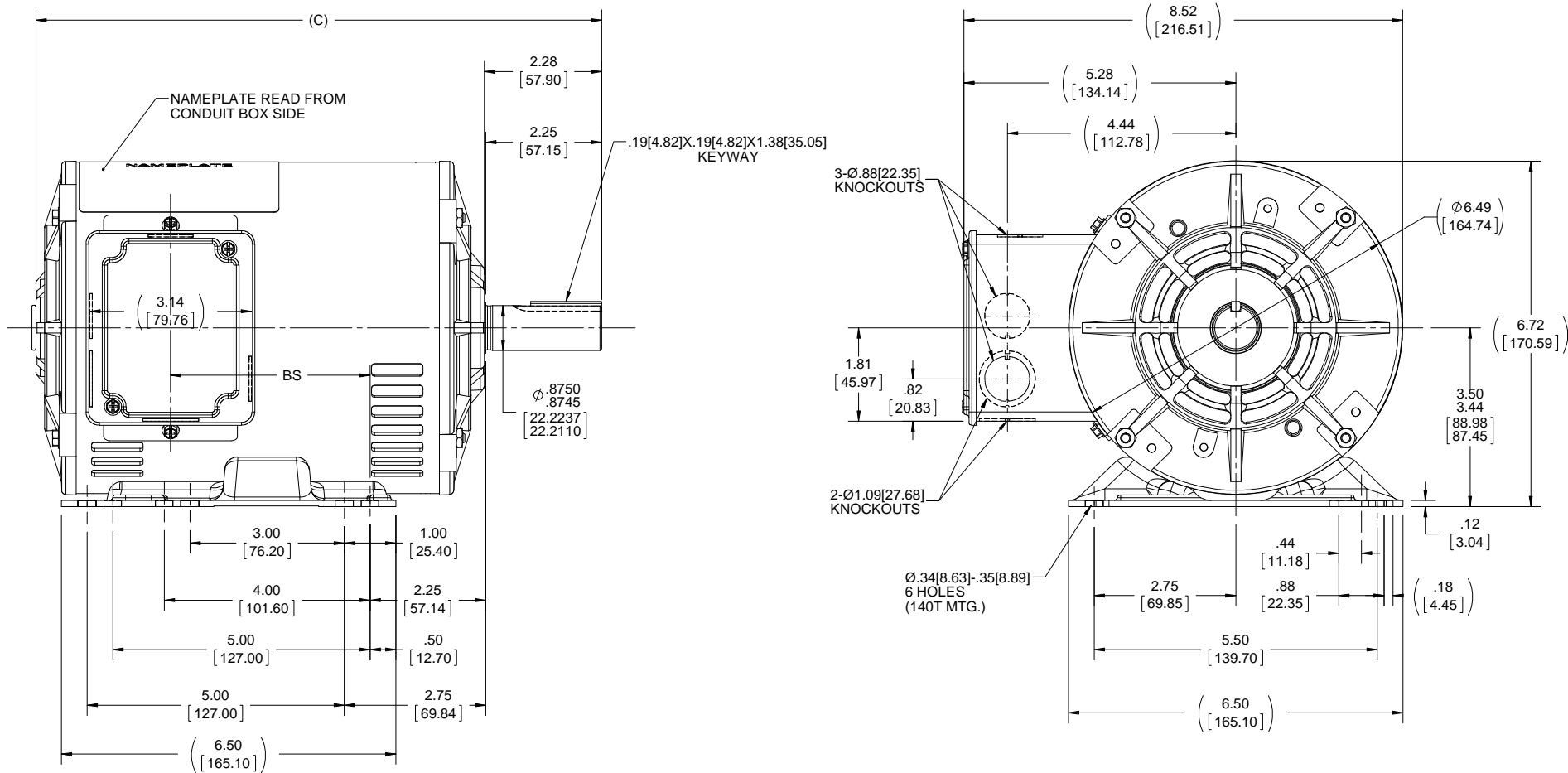
Nameplate Specifications

Output HP	1 HP	Output KW	0.75 kW
Frequency	60 Hz	Voltage	200-208 V
Current	3.6-3.3 A	Speed	1750 RPM
Service Factor	1.15	Phase	3
Efficiency	81.5 %	Duty	Continuous
Insulation Class	B	Design Code	B
KVA Code	M	Frame	143T
Enclosure	Drip Proof	Overload Protector	Automatic
Ambient Temperature	40 °C	Drive End Bearing Size	6205
Opp Drive End Bearing Size	6203	UL	Recognized
CSA	Y	CE	Y
IP Code	22		

Technical Specifications

Electrical Type	Squirrel Cage Induction Run	Starting Method	Across The Line
Poles	4	Rotation	Reversible
Mounting	Rigid Base	Motor Orientation	Horizontal
Drive End Bearing	Ball	Opp Drive End Bearing	Ball
Frame Material	Rolled Steel	Shaft Type	T
Overall Length	12.49 in	Shaft Diameter	0.875 in
Shaft Extension	2.25 in	Assembly/Box Mounting	F1 Only
Outline Drawing	A-100085-856	Connection Diagram	A-EE7335A

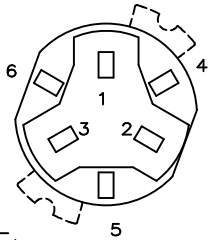
This is an uncontrolled document once printed or downloaded and is subject to change without notice. Date Created: 11/12/2019



NOTES:
1.CONDUIT BOX CAN BE ROTATED 180°.

DASH NO.	"C"	"BS"	DRAWING REVISION E	REVISION BY A. KEETHA	DATE 01-09-2018	TOLERANCES UNLESS OTHERWISE SPECIFIED: DEC. INCH mm ANGLE .X ±.01 [±2.5] ±7-30° .XX ±0.03 [±0.76] .XXX ±0.005 [±0.127] .XXXX ±0.0005 [±0.0127]	DRAWN BY GK	Regal Beloit America, Inc.	
706	10.99[279.14]	3.87[98.29]	ECO ECO-0143026	APPROVED BY PST	DATE 04/11/2018	DATE 02-04-1988	DATE 02-04-1988		
756	11.49[291.84]	4.37[110.99]	ECO DESCRIPTION OUTLINE CONVERSION PROJECT			REMOVE BURRS & BREAK SHARP EDGES: .003/.015 [0.076/.381] X 45° CORNER FILLETS: R.02 [51]	APPROVED BY FG	DESCRIPTION OUTLINE 140T & 56HZ - DR.PR.	
806	11.99[304.54]	4.87[123.69]	<small>COPYRIGHT REGAL BELOIT AMERICA, INC. ALL RIGHTS RESERVED. PROPRIETARY AND CONFIDENTIAL INFORMATION - THIS DOCUMENT IS THE PROPERTY OF REGAL BELOIT AMERICA, INC. ("OWNER") AND CONTAINS OWNER'S PROPRIETARY INFORMATION. ANY PERSON, CORPORATION OR OTHER FIRM RECEIVING IT IS DEEMED, BY RECEIVING IT, TO AGREE THAT IT, AND/OR ANY PART OF IT, SHALL NOT BE DISCLOSED TO ANY PERSON, CORPORATION OR OTHER ENTITY, DUPLICATED, AND/OR USED, EXCEPT AS EXPRESSLY APPROVED IN WRITING IN ADVANCE BY OWNER. THIS DOCUMENT SHALL BE RETURNED TO OWNER UPON REQUEST. IT MAY BE SUBJECT TO CERTAIN RESTRICTIONS UNDER APPLICABLE EXPORT CONTROL LAWS AND REGULATIONS.</small>			MACHINED SURFACES: 200 5.1 INCH mm	DATE 02-04-1988	MATERIAL	
906	12.99[329.94]	5.87[149.09]					REFERENCE 100085	PROCESS/FINISH	
956	13.49[342.64]	6.37[161.79]					THIRD ANGLE PROJECTION	DRAWING NUMBER 100085	SHEET 1 OF 1

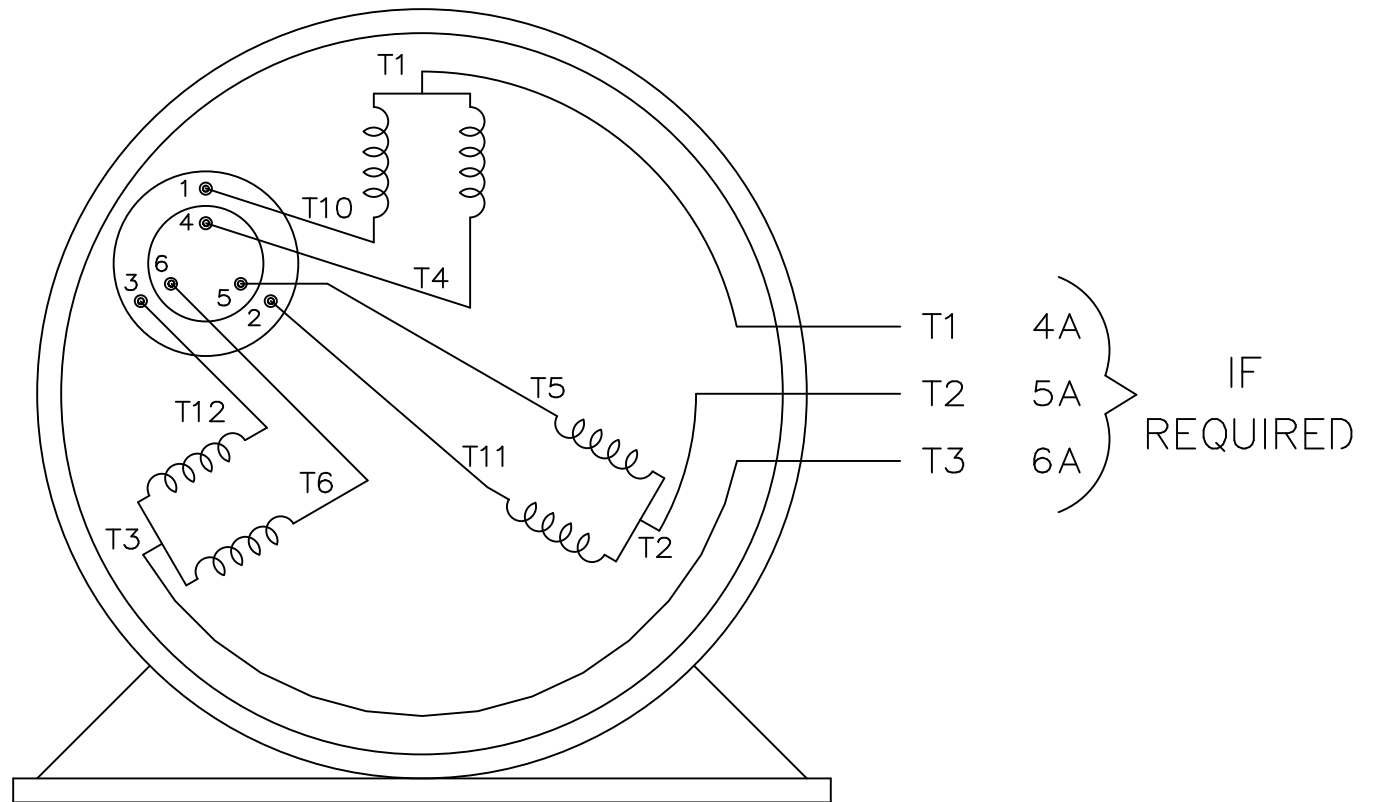
SINGLE VOLTAGE – THREE PHASE WITH OVERLOAD PROTECTOR



NOTE:
ACTUAL PROTECTORS
TERMINAL LOCATIONS
FOR LEAD CONNECTIONS

NOTE:
WEST PLAINS

LEADS WITH TERMINALS
SHOULD BE CONNECTED
TO INBOARD SIDE OF
TERMINAL BOARD.



VIEW OF TERMINAL END

TO REVERSE ROTATION:
INTERCHANGE ANY TWO LINE
LEAD CONNECTIONS.

NO.	REVISION	BY & DATE	CHK	TOLERANCES UNLESS SPECIFIED		MARATHON ELECTRIC	DRAWN DA 03-26-1993			
				DEC.	INCHES			CHK ML 03-26-1993		
8	ADDED 4A, 5A & 6A "IF REQUIRED" MU80422	RJW 07-10-2007	ML	.X	± -	TITLE CONNECTION DIAGRAM SINGLE VOLT – 3 ϕ W/OVERLOAD PROT.	APPD GK 03-26-1993			
7	ADDED TERM. BOARD CONNECTION NOTE CN 19219	SMC 10-13-1994		.XX	± -		SCALE 1=1			
6	ADDED ACTUAL PROTECTOR VIEW CN 17481	KL 05-18-1994		.XXX	± -		REF			
5	REDRAWN – NO CHANGE	DA 03-29-1993		.XXXX	± -		FMF			
				ANG	± -		PREV			
THIS DRAWING IN DESIGN AND DETAIL IS OUR PROPERTY AND MUST NOT BE USED EXCEPT IN CONNECTION WITH OUR WORK ALL RIGHTS OF DESIGN AND INVENTION ARE RESERVED THIS IS AN ELECTRONICALLY GENERATED DOCUMENT – DO NOT SCALE THIS PRINT				RFP	CAD FILE ee7335a		SIZE A	DRAWING NO. EE7335A	PAGE OF 8	REV. 8
				DIST LB-WP						