

PRODUCT INFORMATION PACKET

Model No: 143TTDR4047
Catalog No: E116
1,1800,DP,143JM,3/60/575
JM



Regal and Marathon are trademarks of Regal Beloit Corporation or one of its affiliated companies.
©2019 Regal Beloit Corporation, All Rights Reserved. MC017097E

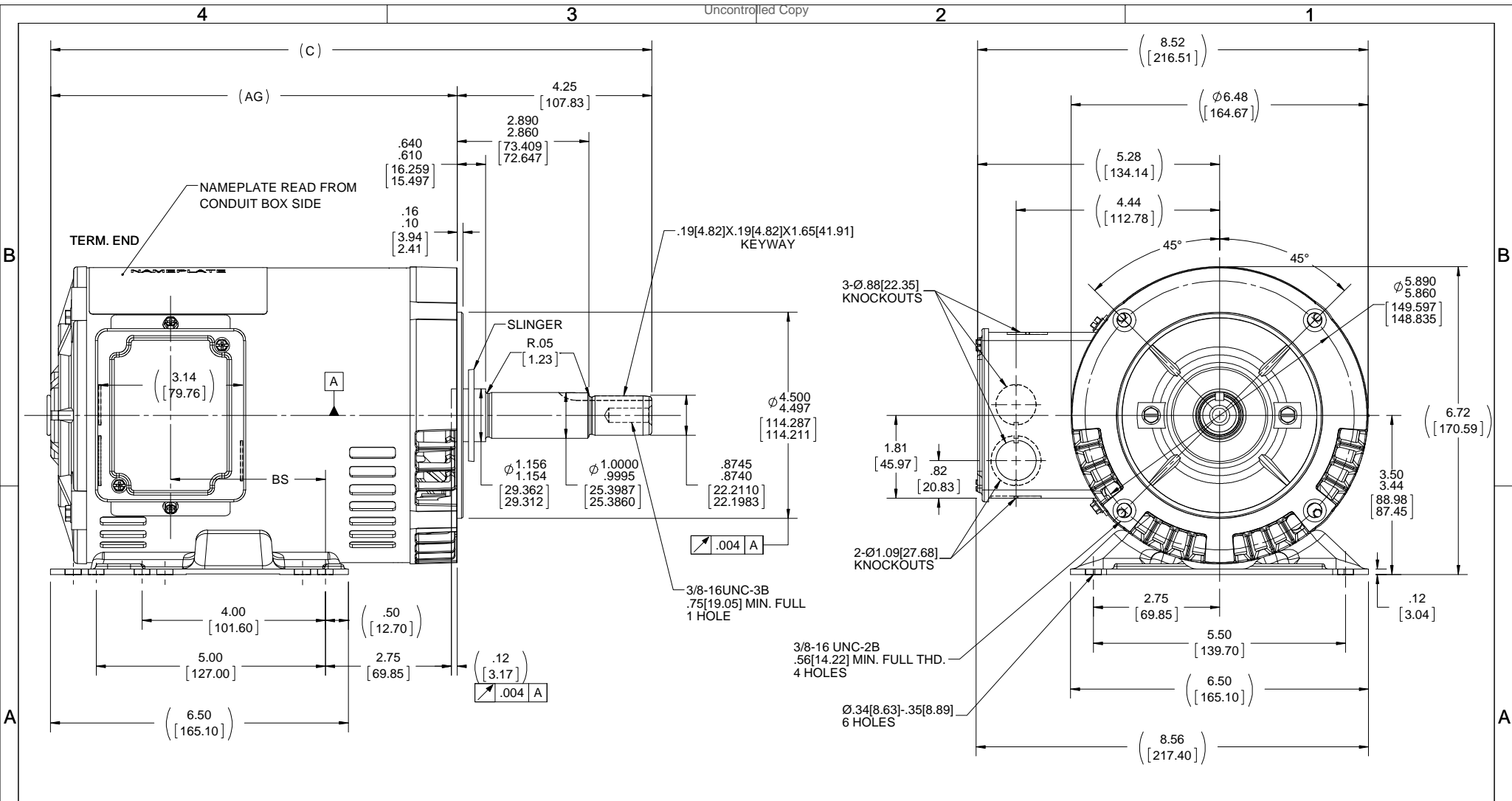


Nameplate Specifications

| | | | |
|----------------------------|---------------|------------------------|-------------------|
| Output HP | 1 HP | Output KW | .75 kW |
| Frequency | 60 Hz | Voltage | 575 V |
| Current | 1.25 A | Speed | 1750 RPM |
| Service Factor | 1.15 | Phase | 3 |
| Efficiency | 82.5 % | Duty | CONTINUOUS |
| Insulation Class | B | Design Code | B |
| KVA Code | M | Frame | 143JM |
| Enclosure | DP | Overload Protector | NOT |
| Ambient Temperature | 40 °C | Drive End Bearing Size | 206 |
| Opp Drive End Bearing Size | 203 | UL | Recognized |
| CSA | Y | CE | Y |
| IP Code | 22 | | |

Technical Specifications

| | | | |
|-----------------------|------------------------|-----------------------|------------------------|
| Electrical Type | SQ CAGE IND RUN | Starting Method | ACROSS THE LINE |
| Poles | 4 | Rotation | REV |
| Mounting | RIGID | Motor Orientation | HORIZONTAL |
| Drive End Bearing | BALL | Opp Drive End Bearing | BALL |
| Frame Material | ROLLED STEEL | Shaft Type | JM |
| Overall Length | 14.62 in | Frame Length | 8.56 in |
| Shaft Diameter | .88 in | Shaft Extension | 4.25 in |
| Assembly/Box Mounting | F1 ONLY | | |
| Outline Drawing | A-100130-856 | Connection Diagram | A-EE7300 |



| DASH NO. | "C" | "AG" | "BS" |
|----------|---------------|---------------|--------------|
| 706 | 13.11[332.99] | 8.87[225.29] | 3.37[85.59] |
| 756 | 13.61[345.69] | 9.37[237.99] | 3.87[98.29] |
| 806 | 14.11[358.39] | 9.87[250.69] | 4.37[110.99] |
| 856 | 14.61[371.09] | 10.37[263.39] | 4.87[123.69] |
| 906 | 15.11[383.79] | 10.87[276.09] | 5.37[136.39] |

| | | |
|---|--------------------------|--------------------|
| DRAWING REVISION F | REVISION BY A. KEETHA | DATE 01/05/2018 |
| ECO ECO-0143026 | APPROVED BY PST | DATE 04/11/2018 |
| ECO DESCRIPTION OUTLINE CONVERSION PROJECT | | |
| <small>COPYRIGHT REGAL BELOIT AMERICA, INC. ALL RIGHTS RESERVED. PROPRIETARY AND CONFIDENTIAL INFORMATION - THIS DOCUMENT IS THE PROPERTY OF REGAL BELOIT AMERICA, INC. ("OWNER") AND CONTAINS OWNER'S PROPRIETARY INFORMATION. ANY PERSON, CORPORATION OR OTHER FIRM RECEIVING IT IS DEEMED, BY RECEIVING IT, TO AGREE THAT IT, AND/OR ANY PART OF IT, SHALL NOT BE DISCLOSED TO ANY PERSON, CORPORATION OR OTHER ENTITY, DUPLICATED, AND/OR USED, EXCEPT AS EXPRESSLY APPROVED IN WRITING IN ADVANCE BY OWNER. THIS DOCUMENT SHALL BE RETURNED TO OWNER UPON REQUEST. IT MAY BE SUBJECT TO CERTAIN RESTRICTIONS UNDER APPLICABLE EXPORT CONTROL LAWS AND REGULATIONS.</small> | | |

| | | |
|--|---------|-----------|
| TOLERANCES UNLESS OTHERWISE SPECIFIED: | | |
| DEC. | INCH | mm |
| .X | +0.1 | [+2.5] |
| .XX | +0.03 | [+0.76] |
| .XXX | +0.005 | [+0.127] |
| .XXXX | +0.0005 | [+0.0127] |
| REMOVE BURRS & BREAK SHARP EDGES: .003/.015 [0.076/.381] X 45° | | |
| CORNER FILLETS: R.02 [5.1] | | |
| MACHINED SURFACES: 200 INCH 5.1 mm | | |
| mm SHOWN IN [BRACKETS] | | |

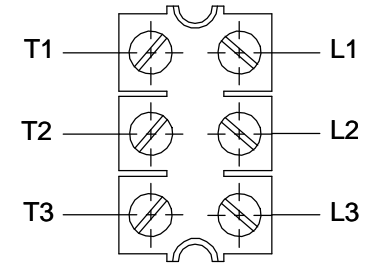
| |
|------------------------|
| DRAWN BY SMC |
| DATE 09-30-1999 |
| APPROVED BY ML |
| DATE 01-24-1999 |
| REFERENCE 100130 |
| THIRD ANGLE PROJECTION |

| | |
|---------------------------------------|--------------------------|
| Regal Beloit America, Inc. | |
| DESCRIPTION OUTLINE | |
| 140 FR. - DR. PR. 3Ø - C'FACE JM EXT. | |
| MATERIAL | PROCESS/FINISH |
| SIZE B | DRAWING NUMBER 100130 |
| | SHEET 1 OF 1 |

**THREE PHASE - SINGLE VOLTAGE
MOTOR - CONDUIT BOX @ 'A'**

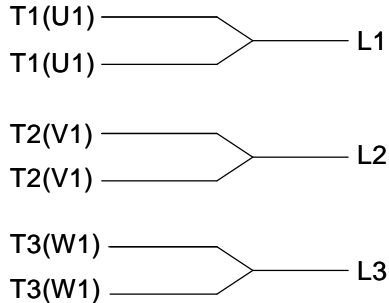
**TO REVERSE ROTATION:
INTERCHANGE ANY TWO
LINE LEAD CONNECTIONS.**

TERMINAL BLOCK WHEN SPECIFIED



VIEW OF TERMINAL END

**IF MOTOR HAS
6 LEADS**



A-9806 DECAL

**OPTIONAL CORD
CONNECTION**

- L1 WHITE
- L2 RED
- L3 BLACK

| | | |
|---|---------------------------|---------------------------|
| DRAWING REVISION AB | REVISION BY JJB | DATE 06-27-2017 |
| ECO ECO-0125361 | APPROVED BY TB | DATE 06-27-2017 |
| ECO DESCRIPTION UPDATED TO CURRENT STANDARDS | | |
| <small>COPYRIGHT REGAL BELOIT AMERICA, INC. ALL RIGHTS RESERVED. PROPRIETARY AND CONFIDENTIAL INFORMATION - THIS DOCUMENT IS THE PROPERTY OF REGAL BELOIT AMERICA, INC. ("OWNER") AND CONTAINS OWNER'S PROPRIETARY INFORMATION. ANY PERSON, CORPORATION OR OTHER FIRM RECEIVING IT IS DEEMED, BY RECEIVING IT, TO AGREE THAT IT, AND/OR ANY PART OF IT, SHALL NOT BE DISCLOSED TO ANY PERSON, CORPORATION OR OTHER ENTITY, DUPLICATED, AND/OR USED, EXCEPT AS EXPRESSLY APPROVED IN WRITING IN ADVANCE BY OWNER. THIS DOCUMENT SHALL BE RETURNED TO OWNER UPON REQUEST. IT MAY BE SUBJECT TO CERTAIN RESTRICTIONS UNDER APPLICABLE EXPORT CONTROL LAWS AND REGULATIONS.</small> | | |



| |
|---------------------------|
| DRAWN BY DA |
| DATE 03-26-1993 |
| APPROVED BY TB |
| DATE 03-26-1993 |
| REFERENCE |
| THIRD ANGLE PROJECTION |

| | | |
|-----------------------------------|---------------------------------|--|
| Regal Beloit America, Inc. | | |
| | | DESCRIPTION CONNECTION DIAGRAM EXTERNAL - SINGLE VOLTAGE - 3Ø MOTOR |
| MATERIAL | PROCESS/FINISH | |
| SIZE A | DRAWING NUMBER EE7300 | SHEET 1 OF 1 |