

PRODUCT INFORMATION PACKET

Model No: 056T34V5309
Catalog No: N609
2,3450,TENV,56HC,3/60/208-230/460
Washdown Duty



Regal and Marathon are trademarks of Regal Beloit Corporation or one of its affiliated companies.
©2019 Regal Beloit Corporation, All Rights Reserved. MC017097E



Nameplate Specifications

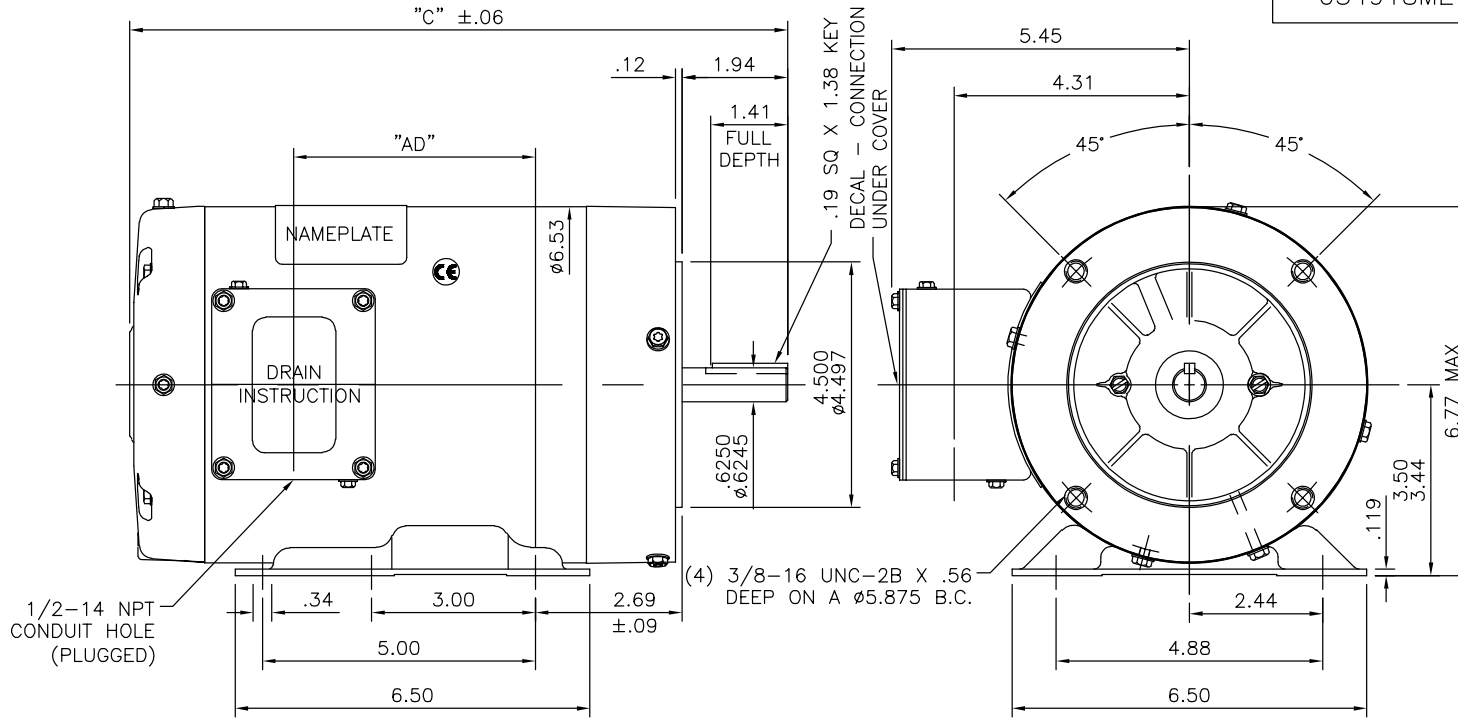
Output HP	2 HP	Output KW	1.49 kW
Frequency	60 Hz	Voltage	208-230/460 V
Current	5.6-5/2.5 A	Speed	3450 RPM
Service Factor	1	Phase	3
Efficiency	84.2 %	Duty	CONTINUOUS
Insulation Class	F	Design Code	A
KVA Code	M	Frame	56HC
Enclosure	TENV	Overload Protector	NOT
Ambient Temperature	40 °C	Drive End Bearing Size	6205
Opp Drive End Bearing Size	6203	UL	Recognized
CSA	Y	CE	Y
IP Code	55		

Technical Specifications

Electrical Type	SQ CAGE INV RATED	Starting Method	LINE OR INVERTER
Poles	2	Rotation	REV
Mounting	RIGID	Motor Orientation	HORIZONTAL
Drive End Bearing	BALL	Opp Drive End Bearing	BALL
Frame Material	ROLLED STEEL	Shaft Type	STANDARD 56
Overall Length	13.06 in	Frame Length	8 in
Shaft Diameter	.63 in	Shaft Extension	1.94 in
Assembly/Box Mounting	F1 ONLY		
Outline Drawing	034918ME-800	Connection Diagram	005010.01ME

This is an uncontrolled document once printed or downloaded and is subject to change without notice. Date Created: 09/23/2019

034918ME



SPECIAL FEATURES:

- 1) SHAFT SEALS & V-RING
- 2) DRAIN HOLES IN ENDBELLS & CONDUIT BOX
- 3) STAINLESS STEEL SHAFT, HARDWARE & NAMEPLATE
- 4) GASKETS THROUGHOUT

DASH NO.	"C"	"AD"
700	12.06	4.44
750	12.56	4.94
800	13.06	5.44

ORACLE REV	02
------------	----

MAXIMUM FACE RUNOUT .004 T.I.R.
 MAXIMUM PILOT ECCENTRICITY .004 T.I.R.
 PERMISSIBLE SHAFT RUNOUT .002 T.I.R.

		TOLERANCES UNLESS SPECIFIED		MARATHON ELECTRIC		DRAWN R/LW 1/6/05			
		DEC.	INCHES	TITLE		CHK	RW 11/29/05		
		.X	±.1	OUTLINE - 56HC FRAME		APPD	KH 11/29/05		
		.XX	±.03	TENV - RIGID "C"		SCALE 3=8			
B	CORRECTED SIDE BOX ECO-0063000	CDF	10/17/14	GS	.XXX ±.005	REF			
A	OUTLINE UPDATED PER ECO-0049716	PVR	04/29/14	JD	.XXXX ±.0005	MAT'L. WASHGUARD			
NO.	REVISION	BY & DATE	CHK	ANG	±1/2'	FINISH			
THIS DRAWING IN DESIGN AND DETAIL IS OUR PROPERTY AND MUST NOT BE USED EXCEPT IN CONNECTION WITH OUR WORK ALL RIGHTS OF DESIGN AND INVENTION ARE RESERVED THIS IS AN ELECTRONICALLY GENERATED DOCUMENT - DO NOT SCALE THIS PRINT				RFP	CAD FILE	034918ME	SIZE	DRAWING NO. PAGE OF REV.	
				DIST			A	034918ME	B

VIEW FROM OUTSIDE OF MOTOR AT SWITCH END.



VOLTAGE	L1	L2	L3	JOIN & INSULATE
HIGH	T1	T2	T3	(T4,T7) (T5,T8) (T6,T9)
LOW	T1,T7	T2,T8	T3,T9	T4,T5,T6

		TOLERANCES UNLESS SPECIFIED		DRAWN RDW 04/12/02	
		DEC.	INCHES	CHK	
		.X	±.1	APPD	
		.XX	±.01	TITLE EXTERNAL WIRING DIAGRAM 3 PHASE W/O PROTECTOR	
		.XXX	±.005	SCALE 1=1	
		.XXXX	±.0005	REF FIG.2-51	
				MAT'L. DECAL - 004014	
				FMF	
NO.	REVISION	BY & DATE	CHK	ANG	PREV
THIS DRAWING IN DESIGN AND DETAIL IS OUR PROPERTY AND MUST NOT BE USED EXCEPT IN CONNECTION WITH OUR WORK ALL RIGHTS OF DESIGN AND INVENTION ARE RESERVED THIS IS AN ELECTRONICALLY GENERATED DOCUMENT - DO NOT SCALE THIS PRINT		RFP	04/12/02	CAD FILE	00501001ME
		DIST		SIZE	DRAWING NO.
				A	005010-01ME
					REV.