

PRODUCT INFORMATION PACKET

Model No: 056T34F5326
Catalog No: P107
3,3450,TEFC,56C,3/60/208-230/460
Three Phase



Regal and Marathon are trademarks of Regal Beloit Corporation or one of its affiliated companies.
©2019 Regal Beloit Corporation, All Rights Reserved. MC017097E



Nameplate Specifications

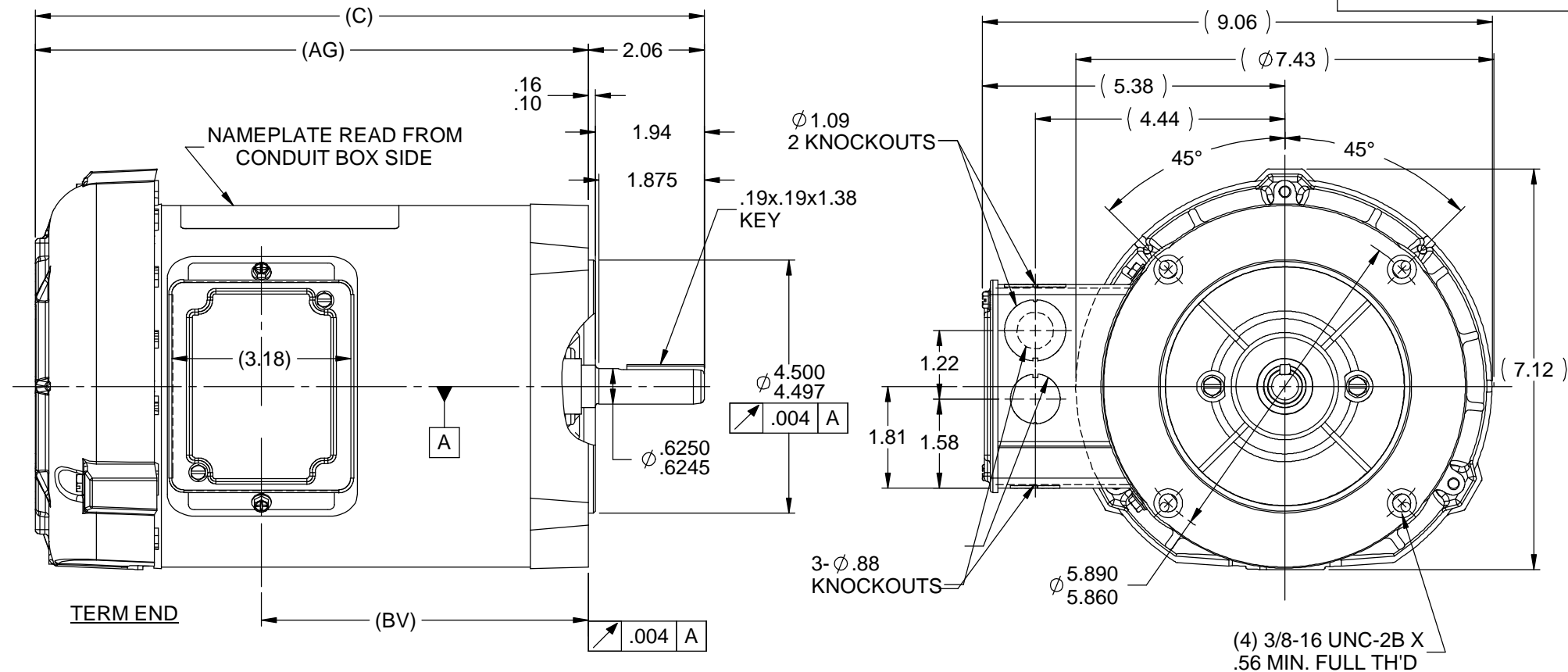
Output HP	3 HP	Output KW	2.24 kW
Frequency	60 Hz	Voltage	208-230/460 V
Current	8.4-7.6/3.8 A	Speed	3450 RPM
Service Factor	1.15	Phase	3
Efficiency	84 %	Duty	CONTINUOUS
Insulation Class	B	Design Code	B
KVA Code	K	Frame	56C
Enclosure	TEFC	Overload Protector	NOT
Ambient Temperature	40 °C	Drive End Bearing Size	6205
Opp Drive End Bearing Size	6205	UL	Recognized
CSA	Y	CE	Y
IP Code	43		

Technical Specifications

Electrical Type	SQ CAGE IND RUN	Starting Method	ACROSS THE LINE
Poles	2	Rotation	REV
Mounting	ROUND	Motor Orientation	HORIZONTAL
Drive End Bearing	BALL	Opp Drive End Bearing	BALL
Frame Material	ROLLED STEEL	Shaft Type	STANDARD 56
Overall Length	13.32 in	Shaft Diameter	.63 in
Shaft Extension	1.88 in	Assembly/Box Mounting	F1 ONLY
Outline Drawing	A-107948	Connection Diagram	A-EE7308

This is an uncontrolled document once printed or downloaded and is subject to change without notice. Date Created: 09/23/2019

107948



DASH	FRAME	C	AG	BV	DASH	FRAME	C	AG	BV
606	56-60	11.32	9.25	5.31	806	56-60	13.32	11.25	7.31
656	" -65	11.82	9.75	5.81	856	" -65	13.82	11.75	7.81
706	" -70	12.32	10.25	6.31	906	" -70	14.32	12.25	8.31
756	" -75	12.82	10.75	6.81	956	" -75	14.82	12.75	8.81

NOTE:
CONDUIT BOX CAN BE ROTATED 180°

NO		REVISION		BY & DATE		CHK		TOLERANCES UNLESS SPECIFIED			DRAWN LST 10/12/12		
						DEC		INCHES			CHK		
						.X		±.1			APPR		
						.XX		±.03			SCALE 3:8		
						.XXX		±.005			REF		
						.XXX		±.0005		TITLE OUTLINE		FMF	
						.XXXX		±.0005		56 FR. - TEFC - C' FACE		PREV	
						ANG		±7'30"		MAT'L			
THIS DRAWING IN DESIGN AND DETAIL IS OUR PROPERTY AND MUST NOT BE USED EXCEPT IN CONNECTION WITH OUR WORK. ALL RIGHTS OF DESIGN AND INVENTION ARE RESERVED.						RFP				FINISH			
										CAD FILE 107948			
										SIZE		DRAWING NO	
										A		107948	
												REV	

EE7308

THREE PHASE
DUAL VOLTAGE MOTOR



VIEW OF TERMINAL END

REF.
WINDING DIAGRAM

T8Y, T2Y, T2BL, T4BX, T2EC, T2G
T6BZ, T2B, T6BL, T4AV, T6B, T4B

OPTIONAL CORD
CONNECTION

L1 — WHITE
L2 — RED
L3 — BLACK

NO.	REVISION	BY & DATE	CHK	ANG	TOLERANCES UNLESS SPECIFIED		FINISH	DRAWN RM 11/20/1990				
					DEC.	INCHES						
5	CHG TO REGAL LOGO	SL 09/10/2015	AB					CHK ML 11/21/1990				
4	REVISED IEC NOTATIONS	MSG 11/15/2011	CMN	.X	±.1			APPD SAS 04/24/2003				
3	ADDED IEC NOTATIONS... (U1), (V1) ETC. MU95194	MSG 5/10/2010	MJS	.XX	±.02			SCALE 1=1				
2	ADDED THE OPTIONAL CORD CONNECTION MU46318	RDH 04/24/2003	DRS	.XXX	±.005		TITLE CONNECTION DIAGRAM 3Ø - DUAL VOLTAGE MOTOR	REF				
1	REDRAWN	RM 11/20/1990		.XXXX	±.0005		MAT'L.	FMF				
					±7'30"			PREV				
THIS DRAWING IN DESIGN AND DETAIL IS OUR PROPERTY AND MUST NOT BE USED EXCEPT IN CONNECTION WITH OUR WORK ALL RIGHTS OF DESIGN AND INVENTION ARE RESERVED THIS IS AN ELECTRONICALLY GENERATED DOCUMENT - DO NOT SCALE THIS PRINT							RFP	CAD FILE ee7308	SIZE A	DRAWING NO. EE7308	PAGE OF 5	REV. 5
							DIST WP					

