

PRODUCT INFORMATION PACKET

Model No: 056T34D5339
Catalog No: G289
3,3450,DP,56C,3/60/208-230/460
Open Drip Proof (ODP)



Regal and Marathon are trademarks of Regal Beloit Corporation or one of its affiliated companies.
©2019 Regal Beloit Corporation, All Rights Reserved. MC017097E



Nameplate Specifications

Output HP	3 HP	Output KW	2.24 kW
Frequency	60 Hz	Voltage	208-230/460 V
Current	8.9-8.4/4.2 A	Speed	3450 RPM
Service Factor	1.15	Phase	3
Efficiency	84 %	Duty	CONTINUOUS
Insulation Class	B	Design Code	B
KVA Code	J	Frame	56C
Enclosure	DP	Overload Protector	NOT
Ambient Temperature	40 °C	Drive End Bearing Size	6205
Opp Drive End Bearing Size	6203	UL	Recognized
CSA	Y	CE	Y
IP Code	22		

Technical Specifications

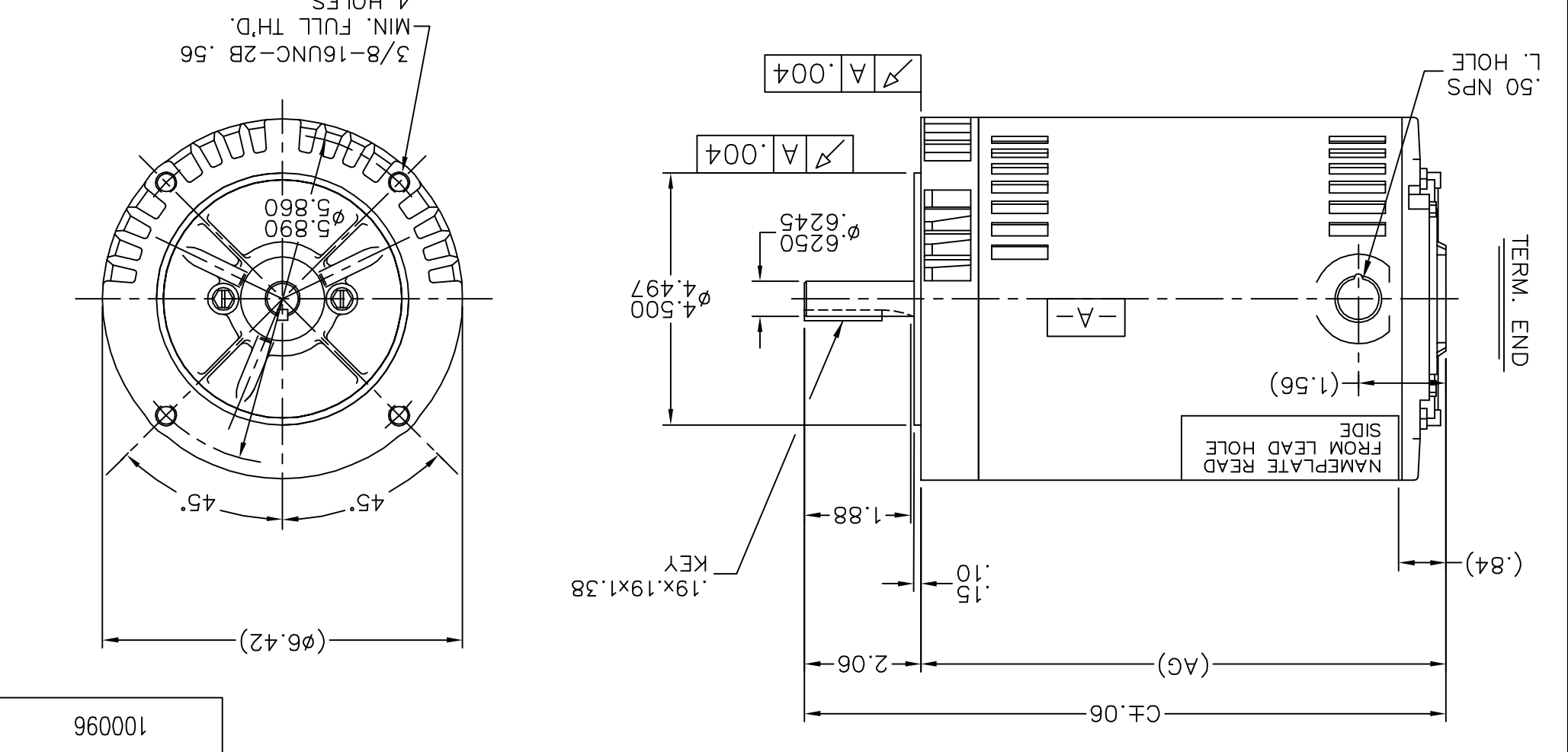
Electrical Type	SQ CAGE IND RUN	Starting Method	ACROSS THE LINE
Poles	2	Rotation	REV
Mounting	ROUND	Motor Orientation	HORIZONTAL
Drive End Bearing	BALL	Opp Drive End Bearing	BALL
Frame Material	ROLLED STEEL	Shaft Type	STANDARD 56
Overall Length	9.37 in	Frame Length	7.56 in
Shaft Diameter	.63 in	Shaft Extension	1.88 in
Assembly/Box Mounting	F1 ONLY		
Outline Drawing	A-100096-756	Connection Diagram	A-EE7308

THIS DRAWING IN DESIGN AND DETAIL IS OUR PROPERTY AND MUST NOT BE USED EXCEPT IN CONNECTION WITH OUR WORK ALL RIGHTS OF DESIGN AND INVENTION ARE RESERVED
THIS IS AN ELECTRONICALLY GENERATED DOCUMENT - DO NOT SCALE THIS PRINT

REV.	PAGE OF	DRAWING NO.	SIZE	DIST WP	
				RFP	CAD FILE 100096
6	100096	A			

NO.	REVISION		BY & DATE	CHK	ANG	±.730"	FINISH	PREV
4	REDRAWN ON CADD		LZ 01-12-1994		.XXXX	±.0005	MATL.	FMF
5	REDRAWN IN AUTOCAD		TAT 06-29-2004	ML	.XXX	±.005	56 FR. - BB - DR. PR. - 'C' FACE - 3Ø	REF
6	UPDATED DRAWING		RJW 03-28-2007	.XX	±.03		TITLE OUTLINE	SCALE 3=8
				.X	±.1			APPD GK 01-06-1994
				DEC.	INCHES			CHK ML 01-06-1994
				TOLERANCES UNLESS SPECIFIED				DRAWN LZ 01-05-1994

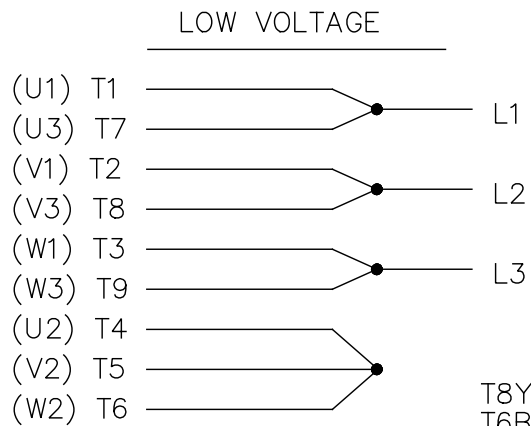
DASH	FR.	C	AG	DASH	FR.	C	AG
606	56-60	9.94	7.87	806	56-80	11.94	9.87
656	"-65	10.44	8.37	856	56-85	12.44	10.37
706	"-70	10.94	8.87	906	56-90	12.94	10.87
756	"-75	11.44	9.37	956	56-90	13.44	11.37



100096

EE7308

THREE PHASE
DUAL VOLTAGE MOTOR



VIEW OF TERMINAL END

REF.
WINDING DIAGRAM

T8Y, T2Y, T2BL, T4BX, T2EC, T2G
T6BZ, T2B, T6BL, T4AV, T6B, T4B

OPTIONAL CORD
CONNECTION

L1 — WHITE
L2 — RED
L3 — BLACK

NO.	REVISION	BY & DATE	CHK	ANG	TOLERANCES UNLESS SPECIFIED		FINISH	DRAWN RM 11/20/1990				
					DEC.	INCHES						
5	CHG TO REGAL LOGO	SL 09/10/2015	AB					CHK ML 11/21/1990				
4	REVISED IEC NOTATIONS	MSG 11/15/2011	CMN	.X	±.1			APPD SAS 04/24/2003				
3	ADDED IEC NOTATIONS... (U1), (V1) ETC. MU95194	MSG 5/10/2010	MJS	.XX	±.02		TITLE CONNECTION DIAGRAM	SCALE 1=1				
2	ADDED THE OPTIONAL CORD CONNECTION MU46318	RDH 04/24/2003	DRS	.XXX	±.005		3Ø - DUAL VOLTAGE MOTOR	REF				
1	REDRAWN	RM 11/20/1990		.XXXX	±.0005		MAT'L.	FMF				
					±7'30"			PREV				
THIS DRAWING IN DESIGN AND DETAIL IS OUR PROPERTY AND MUST NOT BE USED EXCEPT IN CONNECTION WITH OUR WORK ALL RIGHTS OF DESIGN AND INVENTION ARE RESERVED THIS IS AN ELECTRONICALLY GENERATED DOCUMENT - DO NOT SCALE THIS PRINT							RFP	CAD FILE ee7308	SIZE A	DRAWING NO. EE7308	PAGE OF 5	REV. 5
							DIST WP					

