

# PRODUCT INFORMATION PACKET

Model No: 056T17G5314  
Catalog No: G663  
1,1800,EPFC,56,3/60/208-230/460  
Explosion Proof



Regal and Marathon are trademarks of Regal Beloit Corporation or one of its affiliated companies.  
©2019 Regal Beloit Corporation, All Rights Reserved. MC017097E





### Nameplate Specifications

Output HP	<b>1 HP</b>	Output KW	<b>0.75 kW</b>
Frequency	<b>60 Hz</b>	Voltage	<b>208-230/460 V</b>
Current	<b>3.4-3.6/1.8 A</b>	Speed	<b>1725 RPM</b>
Service Factor	<b>1</b>	Phase	<b>3</b>
Efficiency	<b>77 %</b>	Duty	<b>Continuous</b>
Insulation Class	<b>B</b>	Design Code	<b>B</b>
KVA Code	<b>L</b>	Frame	<b>56</b>
Enclosure	<b>Explosion Proof Fan cooled</b>	Overload Protector	<b>Automatic</b>
Ambient Temperature	<b>40 °C</b>	Drive End Bearing Size	<b>6203</b>
Opp Drive End Bearing Size	<b>6203</b>	UL	<b>Listed</b>
CSA	<b>N</b>	CE	<b>N</b>
IP Code	<b>54</b>		

### Technical Specifications

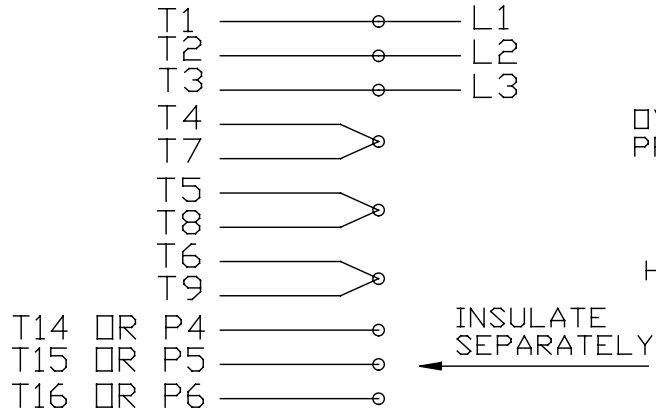
Electrical Type	<b>Squirrel Cage Induction Run</b>	Starting Method	<b>Across The Line</b>
Poles	<b>4</b>	Rotation	<b>Reversible</b>
Mounting	<b>Rigid Base</b>	Motor Orientation	<b>Horizontal</b>
Drive End Bearing	<b>Ball</b>	Opp Drive End Bearing	<b>Ball</b>
Frame Material	<b>Rolled Steel</b>	Shaft Type	<b>T</b>
Overall Length	<b>13.94 in</b>	Frame Length	<b>6.81 in</b>
Shaft Diameter	<b>0.625 in</b>	Shaft Extension	<b>2 in</b>
Assembly/Box Mounting	<b>F1 ONLY</b>		
Outline Drawing	<b>B-104189-681</b>	Connection Diagram	<b>A-EE7335</b>

This is an uncontrolled document once printed or downloaded and is subject to change without notice. Date Created: 10/19/2019

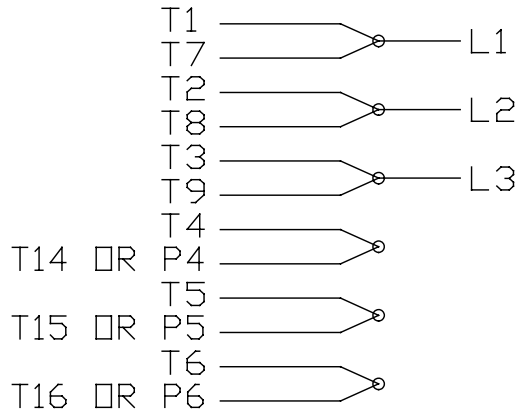


EE7335

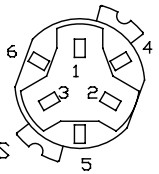
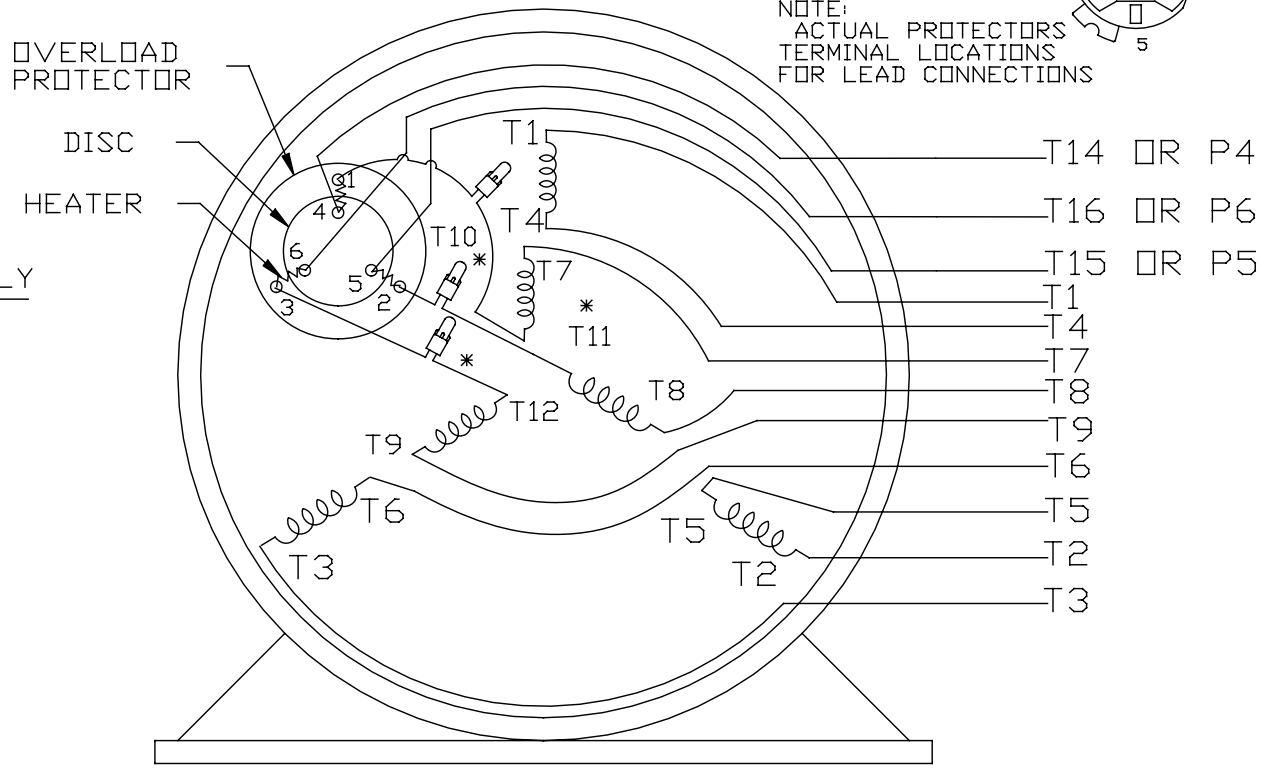
### HIGH VOLTAGE CONNECTIONS



### LOW VOLTAGE CONNECTIONS



### THREE PHASE - DUAL VOLTAGE MOTOR WITH OVERLOAD PROTECTOR



VIEW OF TERMINAL END

\* USE PRESSURE CONNECTORS FOR MT2 PLANT ONLY

T2K
T4D
T6AN

NO.	REVISION	BY & DATE	CHK	TOLERANCES UNLESS SPECIFIED		FINISH	DRAWN	SCALE	REV.
				DEC.	INCHES				
17	CHANGED LOGO FROM MARATHON TO REGAL	KIR 02/16/16	AB	DEC.	INCHES	<b>REGAL</b> ™ Regal Beloit America, Inc.	KL	08-09-1993	
16	PRESSURE CONNECTORS QUANTITY WAS 6	PVR 10/29/13	GR	.X	±.1		CHK	ML	08/10/1993
15	PRESSURE CONNECTORS ADDED	GR 03/04/13	SR	.XX	±.01	TITLE			
14	ADDED ACTUAL PROECTOR VIEW CN 17481	KL 05/18/94		.XXX	±.005	CONNECTION DIAGRAM 3Ø-DUAL VOLT WITH OVERLOAD PROTECTO		SCALE	1=1
13	REDRAWN IN AUTO CAD	KL 08/11/93		.XXXX	±.0005	REF			
						MAT'L.			
						FINISH			
						CAD FILE	EE7335	SIZE	DRAWING NO.
								A	EE7335
									17

THIS DRAWING IN DESIGN AND DETAIL IS OUR PROPERTY AND MUST NOT BE USED EXCEPT IN CONNECTION WITH OUR WORK ALL RIGHTS OF DESIGN AND INVENTION ARE RESERVED THIS IS AN ELECTRONICALLY GENERATED DOCUMENT - DO NOT SCALE THIS PRINT