

# PRODUCT INFORMATION PACKET

Model No: 056T17F5307  
Catalog No: G348  
(USE 5K49MN4111) 1,1725,TEFC,56,3/60/575  
Totally Enclosed Fan Cooled (TEFC)



Regal and Marathon are trademarks of Regal Beloit Corporation or one of its affiliated companies.  
©2019 Regal Beloit Corporation, All Rights Reserved. MC017097E

### Nameplate Specifications

Output HP	<b>1 HP</b>	Output KW	<b>0.75 kW</b>
Frequency	<b>60 Hz</b>	Voltage	<b>575 V</b>
Current	<b>1.5 A</b>	Speed	<b>1725 RPM</b>
Service Factor	<b>1.15</b>	Phase	<b>3</b>
Efficiency	<b>77 %</b>	Duty	<b>Continuous</b>
Insulation Class	<b>B</b>	Design Code	<b>B</b>
KVA Code	<b>L</b>	Frame	<b>56</b>
Enclosure	<b>Totally Enclosed Fan Cooled</b>	Overload Protector	<b>No</b>
Ambient Temperature	<b>40 °C</b>	Drive End Bearing Size	<b>6203</b>
Opp Drive End Bearing Size	<b>6203</b>	UL	<b>Recognized</b>
CSA	<b>Y</b>	CE	<b>Y</b>
IP Code	<b>43</b>		

### Technical Specifications

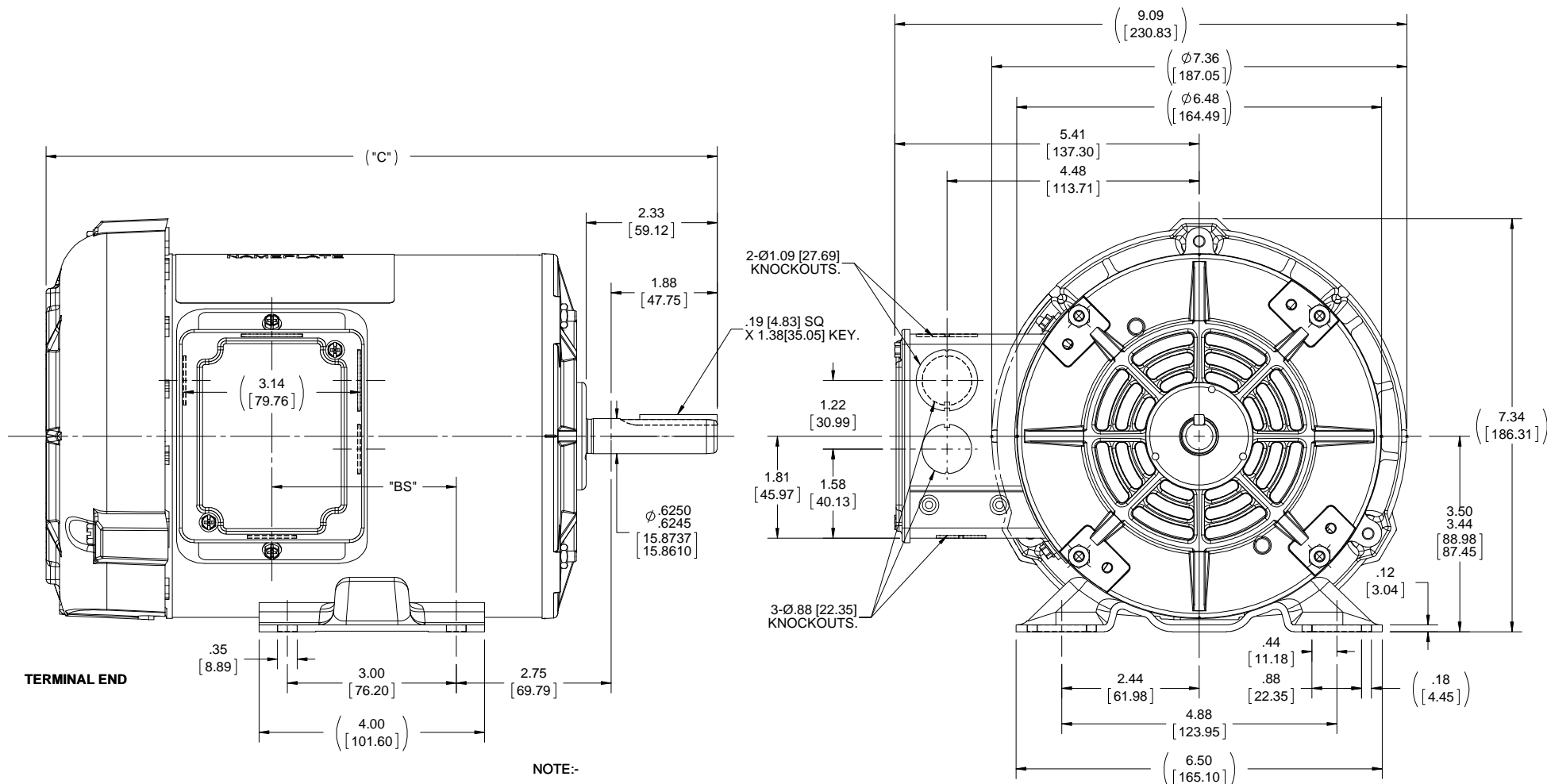
Electrical Type	<b>Squirrel Cage Induction Run</b>	Starting Method	<b>Across The Line</b>
Poles	<b>4</b>	Rotation	<b>Reversible</b>
Mounting	<b>Rigid Base</b>	Motor Orientation	<b>Horizontal</b>
Drive End Bearing	<b>Ball</b>	Opp Drive End Bearing	<b>Ball</b>
Frame Material	<b>Rolled Steel</b>	Shaft Type	<b>NEMA 56</b>
Overall Length	<b>12.32 in</b>	Frame Length	<b>7.06 in</b>
Shaft Diameter	<b>0.625 in</b>	Shaft Extension	<b>2.32 in</b>
Assembly/Box Mounting	<b>F1 ONLY</b>		
Outline Drawing	<b>A-100086-706</b>	Connection Diagram	<b>A-EE7300</b>

B

B

A

A



TERMINAL END

NOTE:-  
 1) NAMEPLATE READ FROM CONDUIT BOX SIDE.  
 2) CONDUIT BOX CAN BE ROTATED IN 180° STEPS.

DASH	"C"	"BS"
606	11.41 [289.81]	2.78 [70.61]
656	11.91 [302.51]	3.28 [83.31]
706	12.41 [315.21]	3.78 [96.01]
756	12.91 [327.91]	4.28 [108.71]
806	13.41 [340.61]	4.78 [121.41]
856	13.91 [353.31]	5.28 [134.11]
906	14.41 [366.01]	5.78 [146.81]

DRAWING REVISION J	REVISION BY A SUPPANAVAR	DATE 03/29/2018
ECO ECO-0136108	APPROVED BY PST	DATE 05/18/2018
ECO DESCRIPTION OUTLINE CONVERSION PROJECT		
<small>COPYRIGHT REGAL BELOIT AMERICA, INC. ALL RIGHTS RESERVED.          PROPRIETARY AND CONFIDENTIAL INFORMATION - THIS DOCUMENT IS THE PROPERTY OF          REGAL BELOIT AMERICA, INC. (OWNER) AND CONTAINS OWNER'S PROPRIETARY          INFORMATION. ANY PERSON, CORPORATION OR OTHER FIRM RECEIVING IT IS DEEMED,          BY RECEIVING IT, TO AGREE THAT IT, AND/OR ANY PART OF IT, SHALL NOT BE DISCLOSED          TO ANY PERSON, CORPORATION OR OTHER ENTITY, DUPLICATED, AND/OR USED, EXCEPT          AS EXPRESSLY APPROVED IN WRITING IN ADVANCE BY OWNER. THIS DOCUMENT SHALL          BE RETURNED TO OWNER UPON REQUEST. IT MAY BE SUBJECT TO CERTAIN          RESTRICTIONS UNDER APPLICABLE EXPORT CONTROL LAWS AND REGULATIONS.</small>		

TOLERANCES UNLESS OTHERWISE SPECIFIED:		
DEC.	INCH	mm
.X	±0.1	[±2.5]
.XX	±0.03	[±0.76]
.XXX	±0.005	[±0.127]
.XXXX	±0.0005	[±0.0127]
REMOVE BURRS & BREAK SHARP EDGES: .003/.015 [0.076/.381] X 45°		
CORNER FILLETS: R.02 [5.1]		
MACHINED SURFACES: 200 INCH 5.1 mm		
mm SHOWN IN [BRACKETS]		

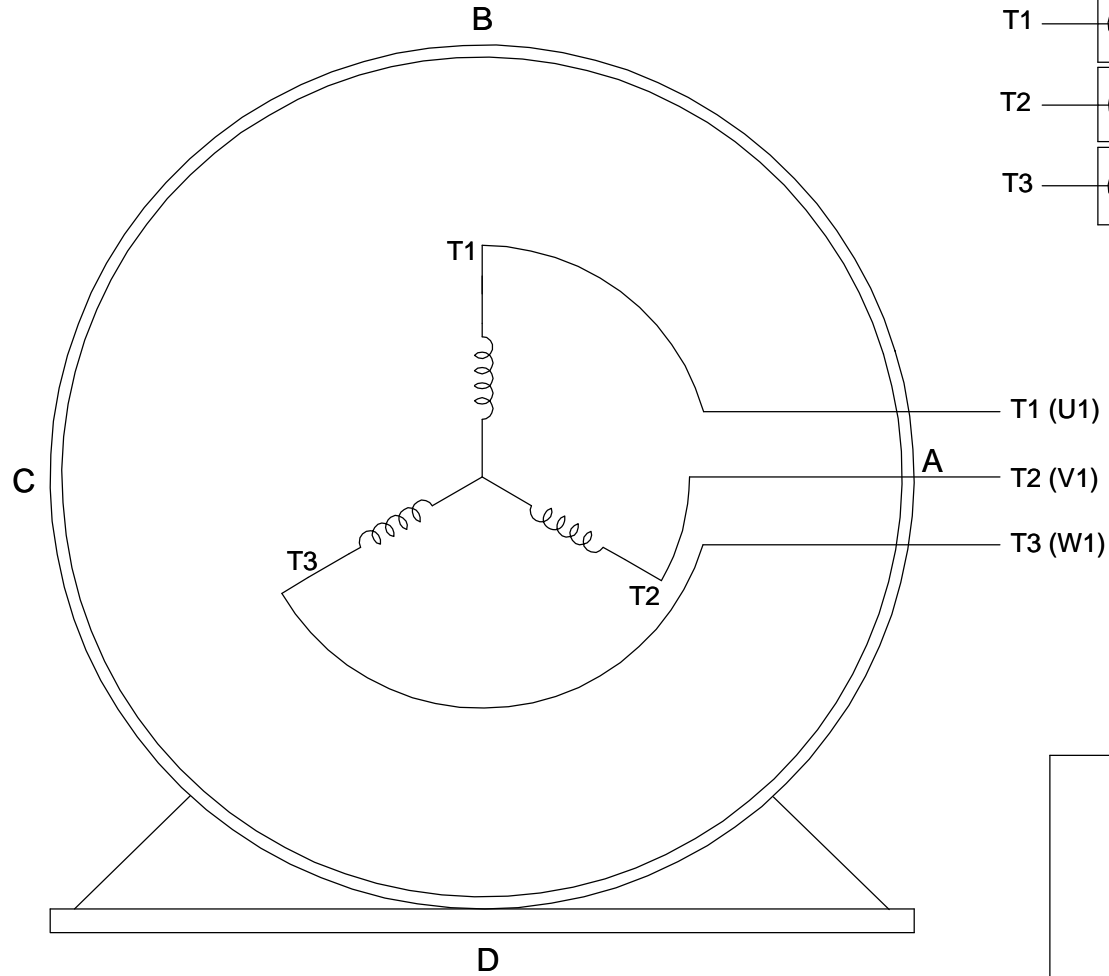
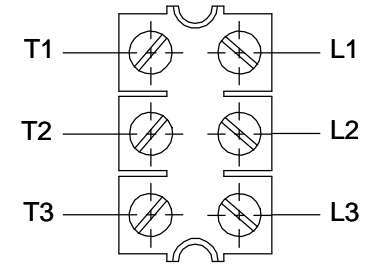
DRAWN BY DJK	DATE 04-19-1993
APPROVED BY MJ	DATE 04-20-1993
REFERENCE 100086	THIRD ANGLE PROJECTION

Regal Beloit America, Inc.	
DESCRIPTION OUTLINE 56 FR.-TEFC	
MATERIAL	PROCESS/FINISH
SIZE B	DRAWING NUMBER 100086
SHEET 1 OF 1	

**THREE PHASE - SINGLE VOLTAGE  
MOTOR - CONDUIT BOX @ 'A'**

**TO REVERSE ROTATION:  
INTERCHANGE ANY TWO  
LINE LEAD CONNECTIONS.**

**TERMINAL BLOCK WHEN SPECIFIED**



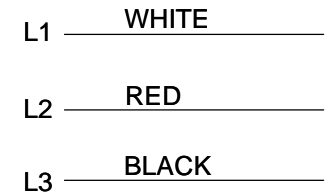
**VIEW OF TERMINAL END**

**IF MOTOR HAS  
6 LEADS**



A-9806 DECAL

**OPTIONAL CORD  
CONNECTION**



DRAWING REVISION <b>AB</b>	REVISION BY <b>JJB</b>	DATE <b>06-27-2017</b>
ECO <b>ECO-0125361</b>	APPROVED BY <b>TB</b>	DATE <b>06-27-2017</b>
ECO DESCRIPTION <b>UPDATED TO CURRENT STANDARDS</b>		
<small>COPYRIGHT REGAL BELOIT AMERICA, INC. ALL RIGHTS RESERVED.                  PROPRIETARY AND CONFIDENTIAL INFORMATION - THIS DOCUMENT IS THE PROPERTY OF                  REGAL BELOIT AMERICA, INC. ("OWNER") AND CONTAINS OWNER'S PROPRIETARY                  INFORMATION. ANY PERSON, CORPORATION OR OTHER FIRM RECEIVING IT IS DEEMED,                  BY RECEIVING IT, TO AGREE THAT IT, AND/OR ANY PART OF IT, SHALL NOT BE DISCLOSED                  TO ANY PERSON, CORPORATION OR OTHER ENTITY, DUPLICATED, AND/OR USED, EXCEPT                  AS EXPRESSLY APPROVED IN WRITING IN ADVANCE BY OWNER. THIS DOCUMENT SHALL                  BE RETURNED TO OWNER UPON REQUEST. IT MAY BE SUBJECT TO CERTAIN                  RESTRICTIONS UNDER APPLICABLE EXPORT CONTROL LAWS AND REGULATIONS.</small>		



DRAWN BY <b>DA</b>	<b>Regal Beloit America, Inc.</b>
DATE <b>03-26-1993</b>	
APPROVED BY <b>TB</b>	DESCRIPTION <b>CONNECTION DIAGRAM</b>
DATE <b>03-26-1993</b>	<b>EXTERNAL - SINGLE VOLTAGE - 3Ø MOTOR</b>
REFERENCE	MATERIAL
PROCESS/FINISH	
THIRD ANGLE PROJECTION	SIZE <b>A</b>
DRAWING NUMBER <b>EE7300</b>	SHEET <b>1 OF 1</b>