

PRODUCT INFORMATION PACKET

Model No: 056T17F2042
Catalog No: G547
1/4,1725,TEFC,56C,3/60/208-230/460 (USE 5K49DN4130)
Totally Enclosed Fan Cooled (TEFC)



Regal and Marathon are trademarks of Regal Beloit Corporation or one of its affiliated companies.
©2019 Regal Beloit Corporation, All Rights Reserved. MC017097E

Nameplate Specifications

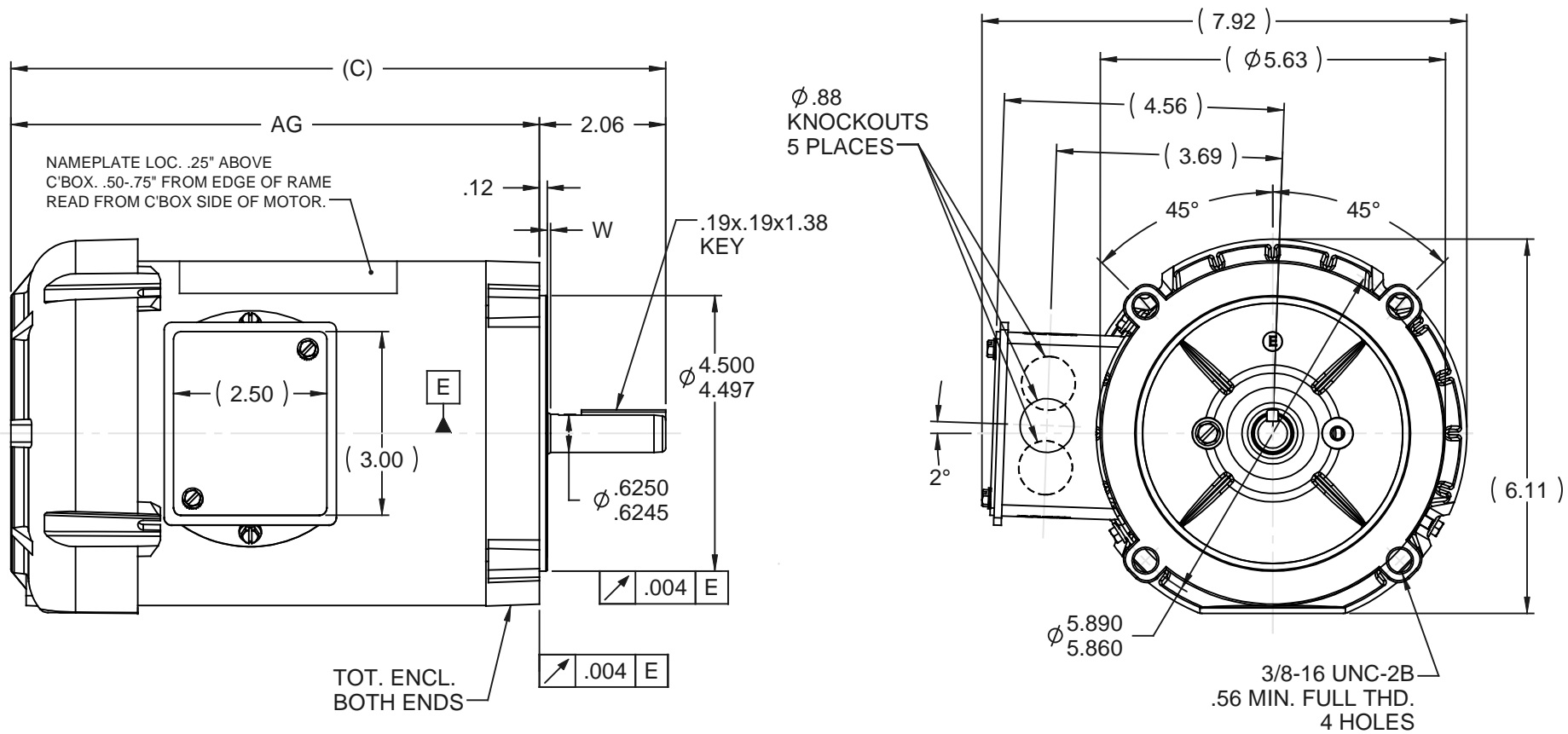
Output HP	0.25 HP	Output KW	0.19 kW
Frequency	60 Hz	Voltage	208-230/460 V
Current	1.2-1.3/0.65 A	Speed	1725 RPM
Service Factor	1.15	Phase	3
Efficiency	62 %	Duty	Continuous
Insulation Class	B	Design Code	B
KVA Code	M	Frame	56C
Enclosure	Totally Enclosed Fan Cooled	Overload Protector	No
Ambient Temperature	40 °C	Drive End Bearing Size	6203
Opp Drive End Bearing Size	6203	UL	Recognized
CSA	Y	CE	N
IP Code	43		

Technical Specifications

Electrical Type	Squirrel Cage Induction Run	Starting Method	Across The Line
Poles	4	Rotation	Reversible
Mounting	Round	Motor Orientation	Horizontal
Drive End Bearing	Ball	Opp Drive End Bearing	Ball
Frame Material	Rolled Steel	Shaft Type	T
Overall Length	9.94 in	Frame Length	5.00 in
Shaft Diameter	0.625 in	Shaft Extension	1.88 in
Assembly/Box Mounting	F1 ONLY		
Outline Drawing	A-SS75175-500	Connection Diagram	A-EE7308

'W' = CLEARANCE ALLOWED FOR ALL VARIANCES
IN MANUFACTURING & ASSEMBLY.

SS75175

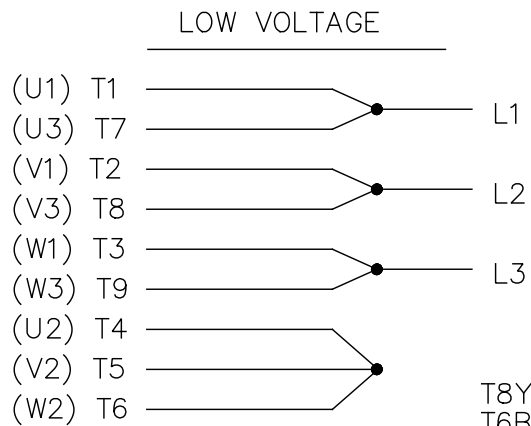


DASH	C	AG	REMARKS
500	9.94	7.88	
525	10.19	8.13	
575	10.69	8.63	
625	10.94	9.13	

6	UPDATED DRAWING	08-0399	RJW 03-18-2008	ML	TOLERANCES UNLESS SPECIFIED			DRAWN	RM 09-20-1991		
5	REDRAWN ON SOLIDWORKS		DRS 05-16-2005	ML	DEC	INCHES		CHK	ML 09-23-1991		
4	REV. NAMEPLATE LOC. .50-.75 WAS .25	CN 23975-129/133	MJD 09-02-1997		.X	±.1	APPR	GK 09-23-1991			
3	ADDED AG DIMENSION		RM 10-12-1992	ML	.XX	±.03	SCALE 3:8				
2	REVISED NAMEPLATE LOCATION		RM 10-07-1991	ML	.XXX	±.005	REF				
1	NEW DRAWING	3842364	RM 09-23-1991		.XXXX	±.0005	MAT'L	FMF			
NO	REVISION		BY & DATE	CHK	ANG	±1/2°	FINISH	PREV			
THIS DRAWING IN DESIGN AND DETAIL IS OUR PROPERTY AND MUST NOT BE USED EXCEPT IN CONNECTION WITH OUR WORK. ALL RIGHTS OF DESIGN AND INVENTION ARE RESERVED. THIS IS AN ELECTRONICALLY GENERATED DOCUMENT - DO NOT SCALE THIS PRINT							RFP	CAD FILE SS75175			
							DIST	WP	SIZE	DRAWING NO	REV
									A	SS75175	6

EE7308

THREE PHASE
DUAL VOLTAGE MOTOR



VIEW OF TERMINAL END

REF.
WINDING DIAGRAM

T8Y, T2Y, T2BL, T4BX, T2EC, T2G
T6BZ, T2B, T6BL, T4AV, T6B, T4B

OPTIONAL CORD
CONNECTION

L1 — WHITE
L2 — RED
L3 — BLACK

NO.	REVISION	BY & DATE	CHK	ANG	TOLERANCES UNLESS SPECIFIED		FINISH	DRAWN RM 11/20/1990				
					DEC.	INCHES						
5	CHG TO REGAL LOGO	SL 09/10/2015	AB					CHK ML 11/21/1990				
4	REVISED IEC NOTATIONS	MSG 11/15/2011	CMN	.X	±.1			APPD SAS 04/24/2003				
3	ADDED IEC NOTATIONS... (U1), (V1) ETC. MU95194	MSG 5/10/2010	MJS	.XX	±.02		TITLE CONNECTION DIAGRAM	SCALE 1=1				
2	ADDED THE OPTIONAL CORD CONNECTION MU46318	RDH 04/24/2003	DRS	.XXX	±.005		3Ø - DUAL VOLTAGE MOTOR	REF				
1	REDRAWN	RM 11/20/1990		.XXXX	±.0005		MAT'L.	FMF				
					±7'30"			PREV				
THIS DRAWING IN DESIGN AND DETAIL IS OUR PROPERTY AND MUST NOT BE USED EXCEPT IN CONNECTION WITH OUR WORK ALL RIGHTS OF DESIGN AND INVENTION ARE RESERVED THIS IS AN ELECTRONICALLY GENERATED DOCUMENT - DO NOT SCALE THIS PRINT							RFP	CAD FILE ee7308	SIZE A	DRAWING NO. EE7308	PAGE OF 5	REV. 5
							DIST WP					

