

PRODUCT INFORMATION PACKET

Model No: 056T17D2128
Catalog No: G046
1/3, 1725, DP, 56, 3/60/200-208
Open Drip Proof (ODP)



Regal and Marathon are trademarks of Regal Beloit Corporation or one of its affiliated companies.
©2019 Regal Beloit Corporation, All Rights Reserved. MC017097E

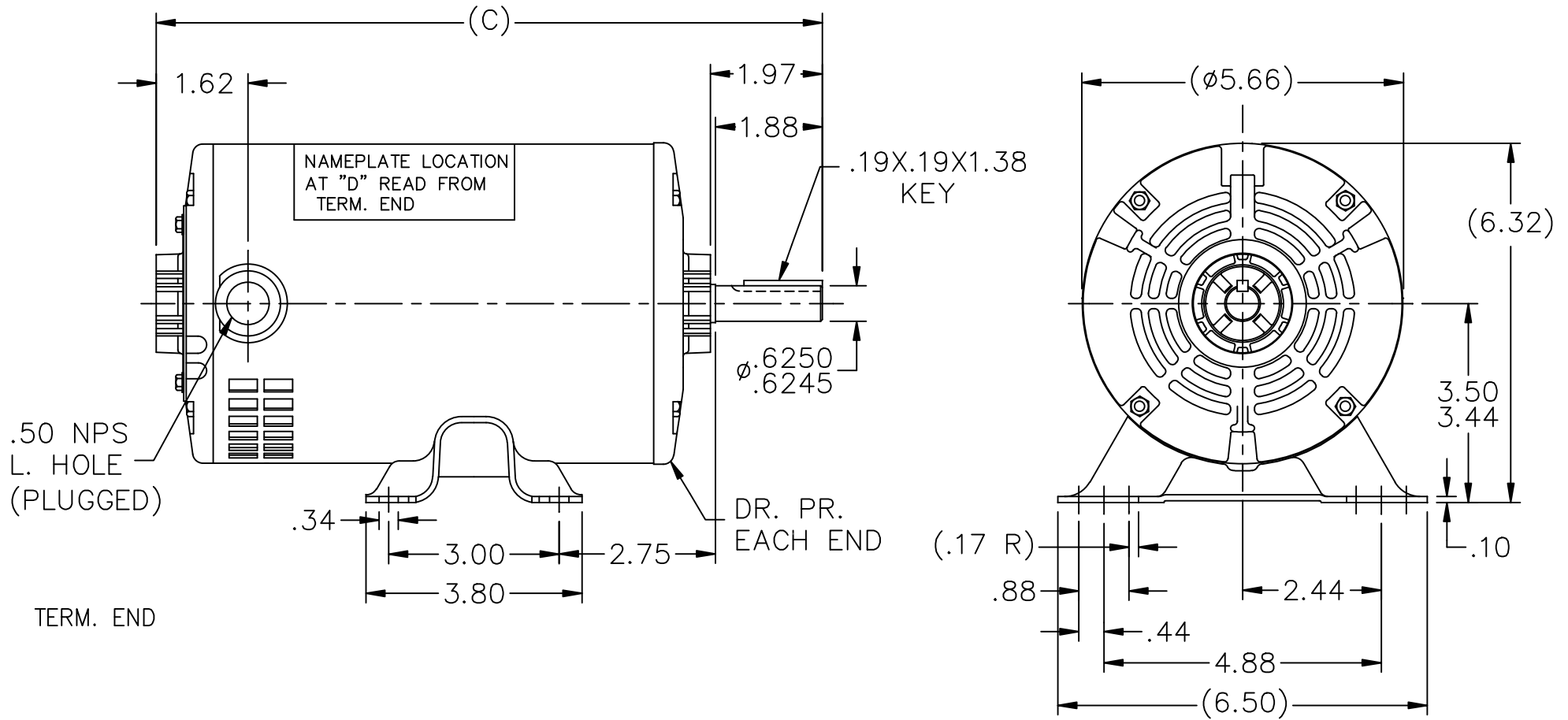


Nameplate Specifications

Output HP	.33 HP	Output KW	0.25 kW
Frequency	60 Hz	Voltage	200-208 V
Current	1.8-1.75 A	Speed	1725 RPM
Service Factor	1.35	Phase	3
Efficiency	66 %	Duty	CONTINUOUS
Insulation Class	B	Design Code	B
KVA Code	N	Frame	56
Enclosure	DP	Overload Protector	NOT
Ambient Temperature	40 °C	Drive End Bearing Size	6203
Opp Drive End Bearing Size	6203	UL	Recognized
CSA	Y	CE	N
IP Code	22		

Technical Specifications

Electrical Type	SQ CAGE IND RUN	Starting Method	ACROSS THE LINE
Poles	4	Rotation	REV
Mounting	RIGID	Motor Orientation	HORIZONTAL
Drive End Bearing	BALL	Opp Drive End Bearing	BALL
Frame Material	ROLLED STEEL	Shaft Type	STANDARD 56
Overall Length	9.97 in	Frame Length	6 in
Shaft Diameter	.63 in	Shaft Extension	1.88 in
Assembly/Box Mounting	F1 ONLY		
Outline Drawing	A-SS75081-600	Connection Diagram	A-EE7300



DASH	C	DASH	C	DASH	C
-600	9.97	-700	10.97	-775	11.72
-625	10.22	-725	11.22	-800	11.97
-650	10.47	-750	11.47	-875	12.72

				TOLERANCES UNLESS SPECIFIED			DRAWN SMC 11-01-1990					
				DEC.	INCHES		CHK	ML	11-01-1990	APPD	JAY	11-02-1990
6	ADDED MISSING SHAFT DIM.	CN 29200-3453	ERH 02-16-2004	ML	.X	$\pm .1$	SCALE 3=8					
5	NEW REAR BRACKET	CN 19513	AJS 12-16-1994		.XX	$\pm .03$	REF					
4	.50 NPS WAS .50 NPT	CN 6642	RM 11-31-1991		.XXX	$\pm .005$	FMF					
3	REDRAWN ON CADD	CN 3748984	SMC 10-03-1990		.XXXX	$\pm .0005$	PREV					
NO.	REVISION	BY & DATE	CHK	ANG	$\pm 7'30''$							
THIS DRAWING IN DESIGN AND DETAIL IS OUR PROPERTY AND MUST NOT BE USED EXCEPT IN CONNECTION WITH OUR WORK ALL RIGHTS OF DESIGN AND INVENTION ARE RESERVED THIS IS AN ELECTRONICALLY GENERATED DOCUMENT - DO NOT SCALE THIS PRINT				RFP	CAD FILE ss75081			SIZE	DRAWING NO.	PAGE	OF	REV.
				DIST	WP			A	SS75081			6

**THREE PHASE - SINGLE VOLTAGE
MOTOR - CONDUIT BOX @ 'A'**

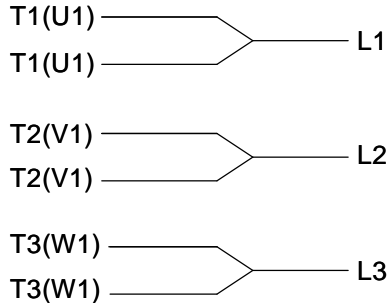
**TO REVERSE ROTATION:
INTERCHANGE ANY TWO
LINE LEAD CONNECTIONS.**

TERMINAL BLOCK WHEN SPECIFIED



VIEW OF TERMINAL END

**IF MOTOR HAS
6 LEADS**



A-9806 DECAL

**OPTIONAL CORD
CONNECTION**

- L1 WHITE
- L2 RED
- L3 BLACK

DRAWING REVISION AB	REVISION BY JJB	DATE 06-27-2017
ECO ECO-0125361	APPROVED BY TB	DATE 06-27-2017
ECO DESCRIPTION UPDATED TO CURRENT STANDARDS		
<small>COPYRIGHT REGAL BELOIT AMERICA, INC. ALL RIGHTS RESERVED. PROPRIETARY AND CONFIDENTIAL INFORMATION - THIS DOCUMENT IS THE PROPERTY OF REGAL BELOIT AMERICA, INC. ("OWNER") AND CONTAINS OWNER'S PROPRIETARY INFORMATION. ANY PERSON, CORPORATION OR OTHER FIRM RECEIVING IT IS DEEMED, BY RECEIVING IT, TO AGREE THAT IT, AND/OR ANY PART OF IT, SHALL NOT BE DISCLOSED TO ANY PERSON, CORPORATION OR OTHER ENTITY, DUPLICATED, AND/OR USED, EXCEPT AS EXPRESSLY APPROVED IN WRITING IN ADVANCE BY OWNER. THIS DOCUMENT SHALL BE RETURNED TO OWNER UPON REQUEST. IT MAY BE SUBJECT TO CERTAIN RESTRICTIONS UNDER APPLICABLE EXPORT CONTROL LAWS AND REGULATIONS.</small>		



DRAWN BY DA
DATE 03-26-1993
APPROVED BY TB
DATE 03-26-1993
REFERENCE
THIRD ANGLE PROJECTION

Regal Beloit America, Inc.		
		DESCRIPTION CONNECTION DIAGRAM EXTERNAL - SINGLE VOLTAGE - 3Ø MOTOR
MATERIAL	PROCESS/FINISH	
SIZE A	DRAWING NUMBER EE7300	SHEET 1 OF 1