

PRODUCT INFORMATION PACKET

Model No: 056C17F5310
Catalog No: G372
(USE 5KC49TN0034X) 1,1725,TEFC,56,1/60/115/208-230
Totally Enclosed Fan Cooled (TEFC)



Regal and Marathon are trademarks of Regal Beloit Corporation or one of its affiliated companies.
©2019 Regal Beloit Corporation, All Rights Reserved. MC017097E

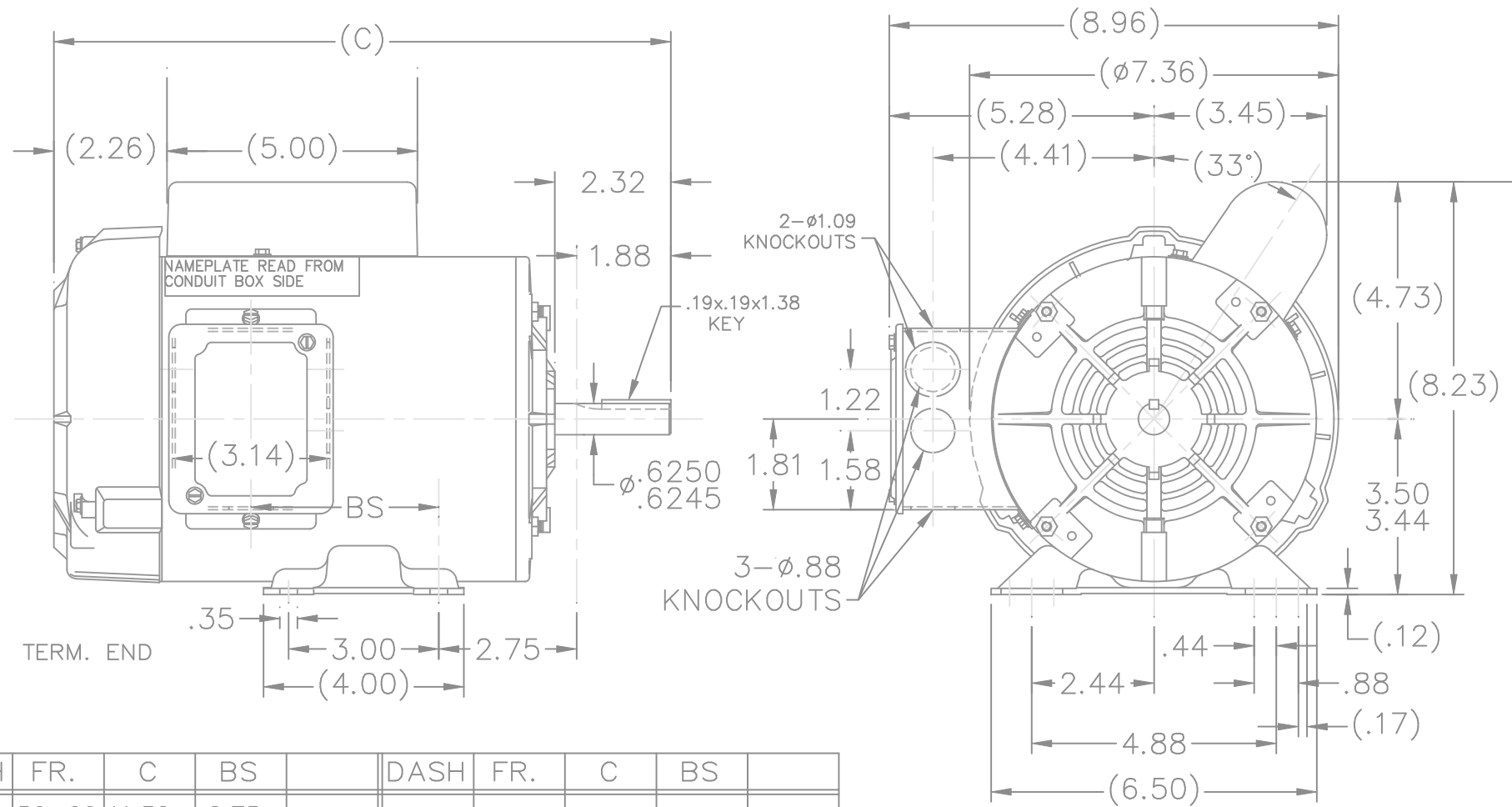


Nameplate Specifications

Output HP	1 HP	Output KW	0.75 kW
Frequency	60 Hz	Voltage	115/208-230 V
Current	13.4/6.8-6.7 A	Speed	1725 RPM
Service Factor	1.15	Phase	1
Efficiency	72 %	Duty	Continuous
Insulation Class	B	Design Code	N
KVA Code	J	Frame	56
Enclosure	Totally Enclosed Fan Cooled	Overload Protector	Automatic
Ambient Temperature	40 °C	Drive End Bearing Size	6203
Opp Drive End Bearing Size	6203	UL	Recognized
CSA	Y	CE	Y
IP Code	43		

Technical Specifications

Electrical Type	Capacitor Start Induction Run	Starting Method	Across The Line
Poles	4	Rotation	Selective Counterclockwise
Mounting	Rigid Base	Motor Orientation	Horizontal
Drive End Bearing	Ball	Opp Drive End Bearing	Ball
Frame Material	Rolled Steel	Shaft Type	NEMA 56
Overall Length	12.82 in	Frame Length	7.56 in
Shaft Diameter	0.625 in	Shaft Extension	2.32 in
Assembly/Box Mounting	F1 ONLY		
Outline Drawing	A-100093-756	Connection Diagram	102005-52

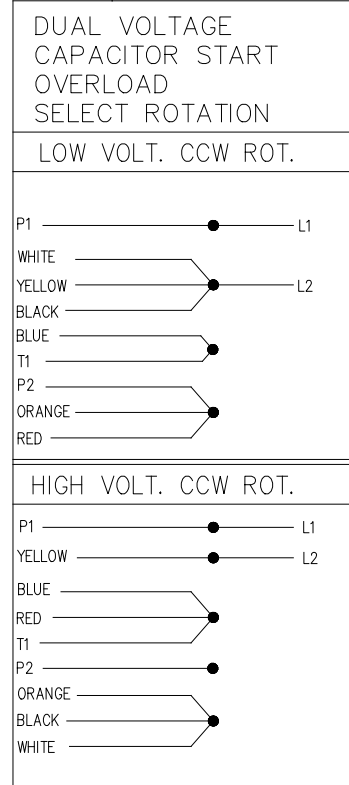
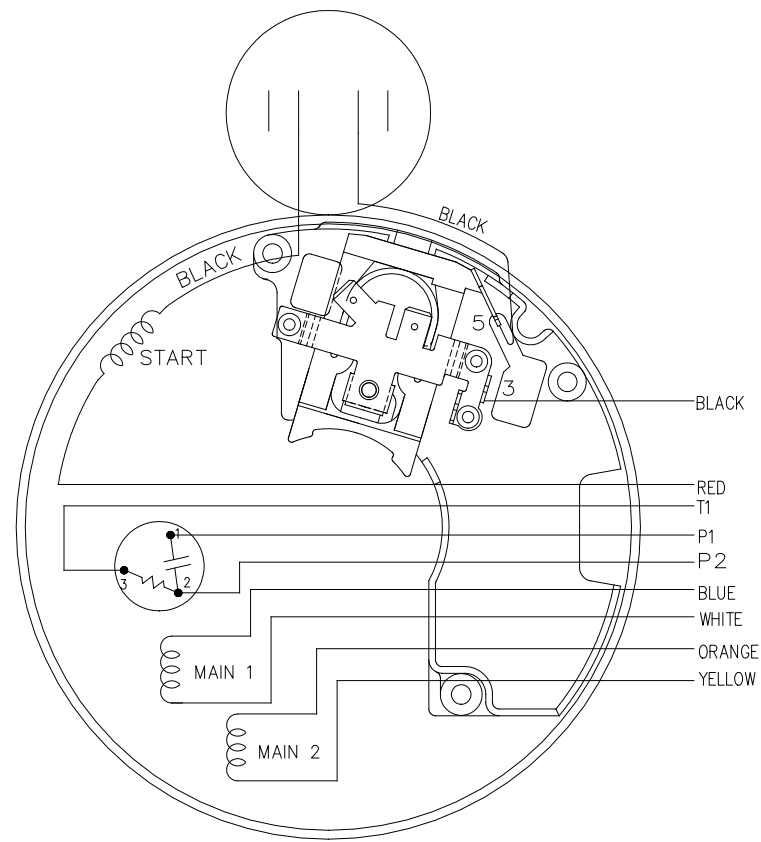
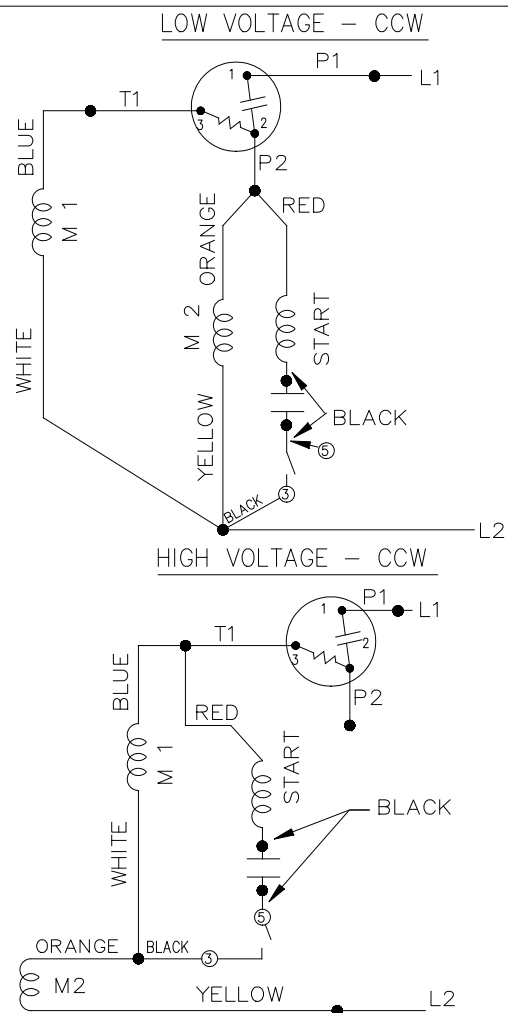


DASH	FR.	C	BS		DASH	FR.	C	BS	
606	56-60	11.32	2.75						
656	56-65	11.82	3.25						
706	56-70	12.32	3.75						
756	56-75	12.82	4.25						

NOTE:
CONDUIT BOX CAN BE ROTATED IN 180° STEPS

				TOLERANCES UNLESS SPECIFIED			DRAWN SC 08-06-1990					
				DEC.	INCHES		CHK ML 08-06-1990					
				.X	±.1		APPD GK 08-06-1990					
				.XX	±.03		SCALE 5=16					
				.XXX	±.005		REF					
2	REDRAWN ON CAD		SC 08-06-1990	.XXXX	±.0005	TITLE	FMF					
NO.	REVISION		BY & DATE	CHK	ANG ±7'30"	FINISH	PREV					
THIS DRAWING IN DESIGN AND DETAIL IS OUR PROPERTY AND MUST NOT BE USED EXCEPT IN CONNECTION WITH OUR WORK ALL RIGHTS OF DESIGN AND INVENTION ARE RESERVED THIS IS AN ELECTRONICALLY GENERATED DOCUMENT - DO NOT SCALE THIS PRINT				RFP		CAD FILE	100093	SIZE	DRAWING NO.	PAGE	OF	REV.
				DIST	WP			A	100093			2

102005-52



FOR CW ROTATION
EITHER VOLTAGE
INTERCHANGE RED
WITH BLACK

		TOLERANCES UNLESS SPECIFIED		MARATHON ELECTRIC	DRAWN BRH 02-29-1996					
		DEC.	INCHES		CHK	ML	03-06-1996			
		.X	±.1	TITLE CONNECTION DIAGRAM		APPD GK 03-06-1996				
6	REISSUE	BRH	03-13-1996	.XX	±.02	SCALE 5=8				
5	REDRAWN ON CADD	BRH	03-06-1996	.XXX	±.005	REF				
	NO. REVISION		BY & DATE	.XXXX	±.0005	FMF				
				CHK	ANG	±7'30"	PREV			
THIS DRAWING IN DESIGN AND DETAIL IS OUR PROPERTY AND MUST NOT BE USED EXCEPT IN CONNECTION WITH OUR WORK ALL RIGHTS OF DESIGN AND INVENTION ARE RESERVED THIS IS AN ELECTRONICALLY GENERATED DOCUMENT - DO NOT SCALE THIS PRINT				RFP	CAD FILE 102005-52		SIZE A	DRAWING NO. 102005-52	PAGE OF 6	REV. 6
				DIST	WP					