

PRODUCT INFORMATION PACKET

Model No: 056C17F5306
Catalog No: G354
(USE 5KC46PN0015) 3/4,1725,TEFC,56,1/60/115/208-230
Totally Enclosed Fan Cooled (TEFC)



Regal and Marathon are trademarks of Regal Beloit Corporation or one of its affiliated companies.
©2019 Regal Beloit Corporation, All Rights Reserved. MC017097E



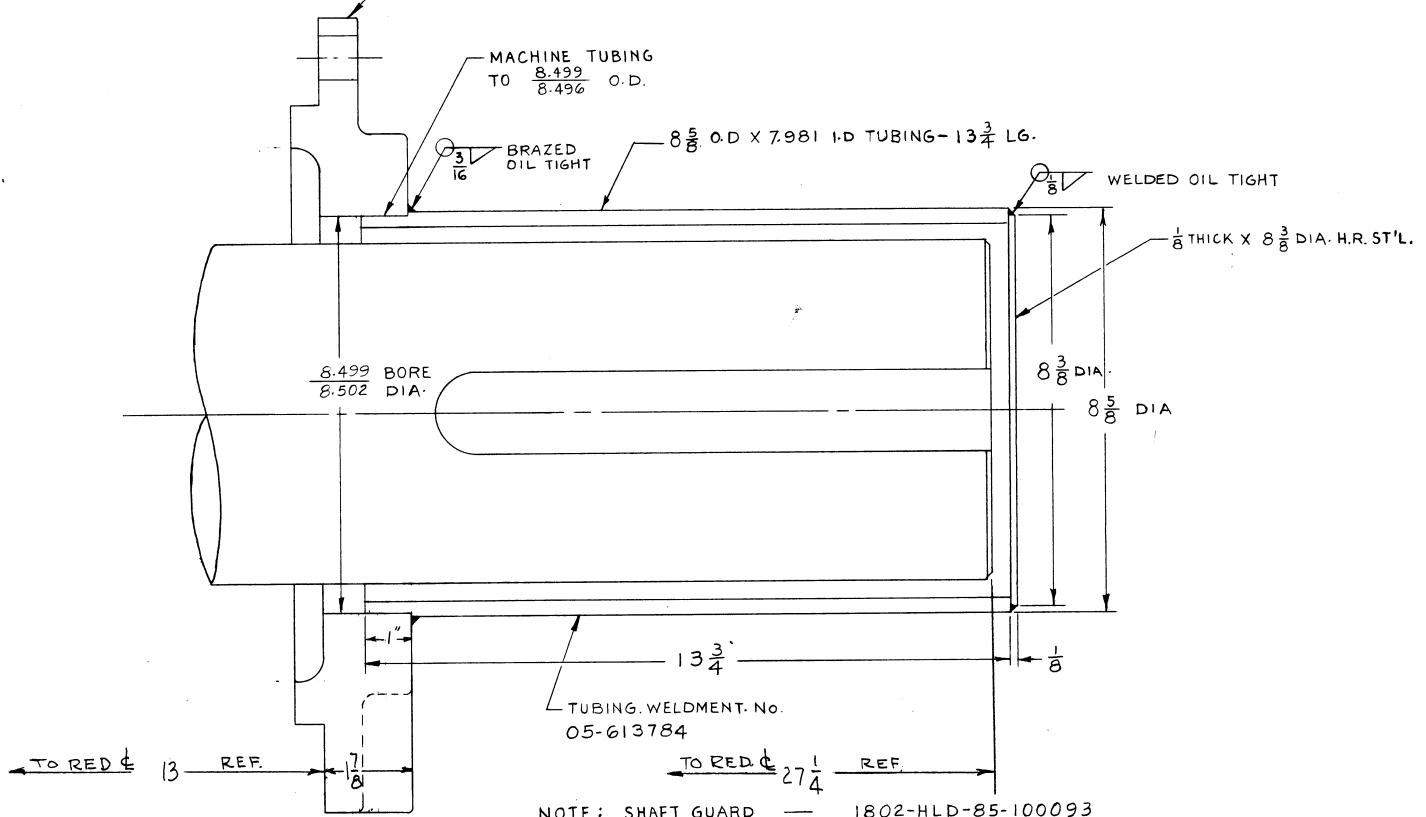
Nameplate Specifications

Output HP	0.75 HP	Output KW	0.56 kW
Frequency	60 Hz	Voltage	115/208-230 V
Current	11.0/5.4-5.5 A	Speed	1725 RPM
Service Factor	1.15	Phase	1
Efficiency	70 %	Duty	Continuous
Insulation Class	B	Design Code	N
KVA Code	L	Frame	56
Enclosure	Totally Enclosed Fan Cooled	Overload Protector	No
Ambient Temperature	40 °C	Drive End Bearing Size	6203
Opp Drive End Bearing Size	6203	UL	Recognized
CSA	Y	CE	Y
IP Code	43		

Technical Specifications

Electrical Type	Capacitor Start Induction Run	Starting Method	Across The Line
Poles	4	Rotation	Selective Counterclockwise
Mounting	Rigid Base	Motor Orientation	Horizontal
Drive End Bearing	Ball	Opp Drive End Bearing	Ball
Frame Material	Rolled Steel	Shaft Type	NEMA 56
Overall Length	12.32 in	Frame Length	7.06 in
Shaft Diameter	0.625 in	Shaft Extension	2.32 in
Assembly/Box Mounting	F1 ONLY		
Outline Drawing	A-100093-706	Connection Diagram	102005-51

1802-HLD
DWG. No. 54-600696



NOTE: SHAFT GUARD — 1802-HLD-85-100093
 CONSISTS OF THE FOLLOWING PARTS
 1- COVER-BRG-L.S. OPEN-STYLE IV 54-600696
 1- TUBING WELDMENT No. 05-613784.

LIMITS UNLESS NOTED	
FRACTIONAL DIMENSIONS	
BETWEEN FINISHED SURFACES	± .018
BETWEEN UNFINISHED SURFACES	± .060
BETWEEN FINISHED AND UNFINISHED SURFACES	± .060
BREAK ALL SHARP EDGES .018 MAX.	ANGLES ± 1/4°

ALSO USE FOR 1801-HLD

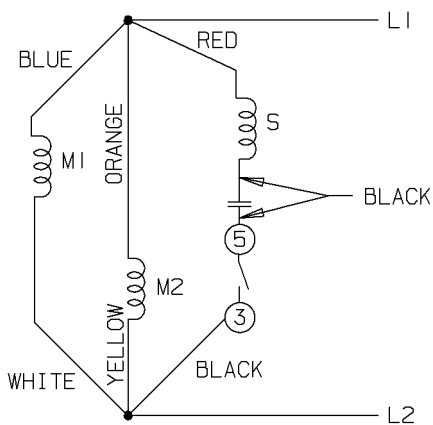
SCALE: 1/2	DATE
DRAWN BY <i>JM</i>	9-13-68
CHECKED BY <i>ST</i>	12-27-68
APPROVED BY	

GEAR PRODUCTS OPERATIONS
HEWITT-ROBINS
 INCORPORATED
 A DIVISION OF LITTON INDUSTRIES

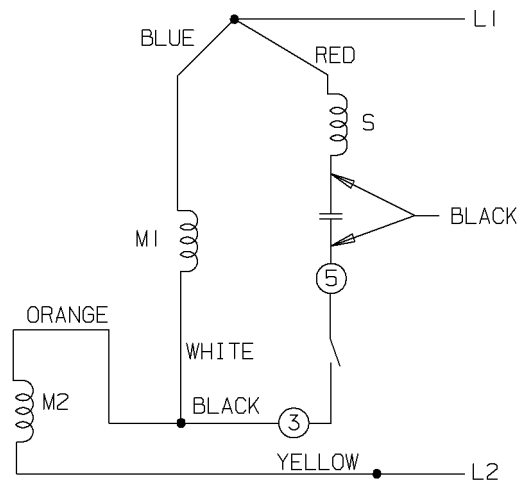
SHAFT GUARD
 L.S. - STYLE IV

DATE:
 1802-HLD
 85-100093

LOW VOLTAGE - C.C.W.

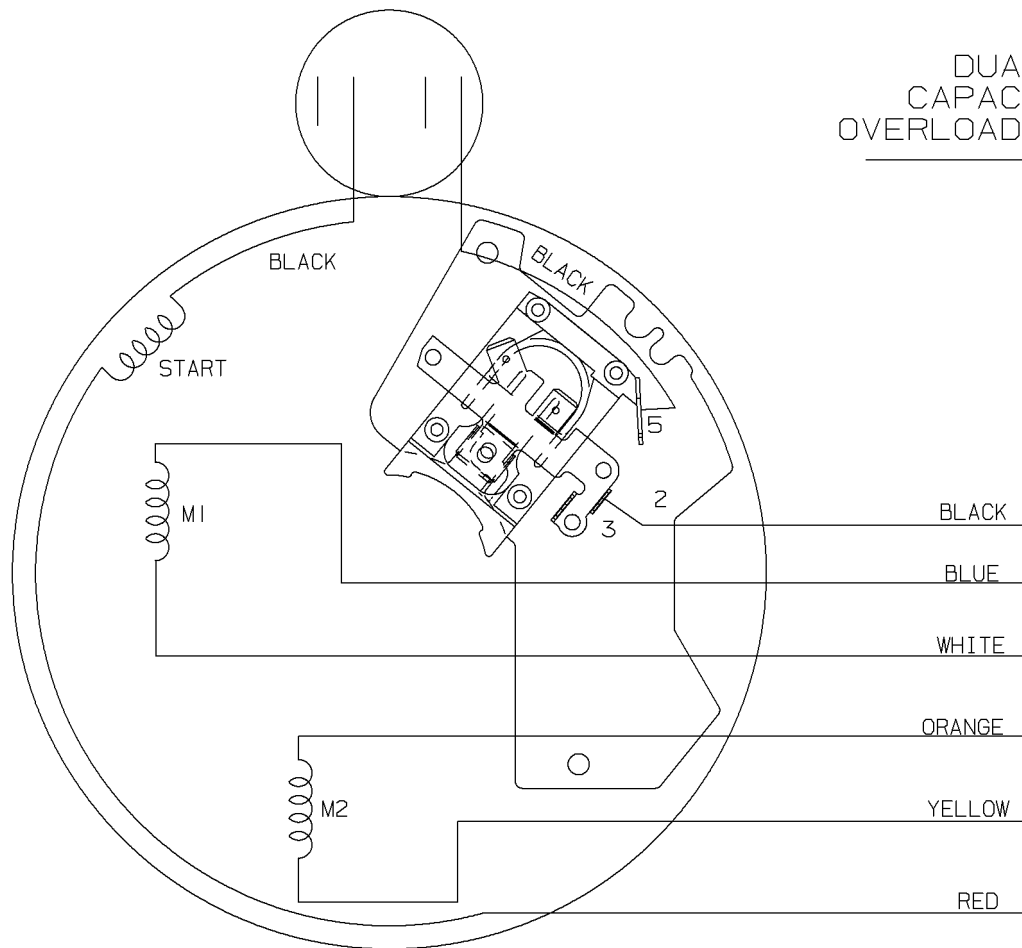


HIGH VOLTAGE - C.C.W.

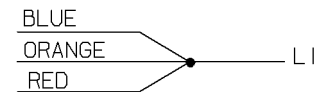


A-102005-51

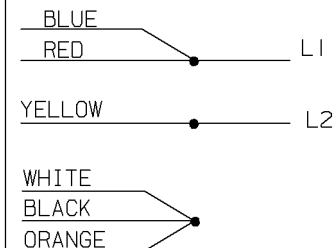
DUAL VOLTAGE
CAPACITOR START NO
OVERLOAD SELECT ROTATION



LOW VOLT. - C.C.W. ROT.



HIGH VOLT. - C.C.W. ROT.



FOR C.W. ROTATION EITHER
VOLTAGE INTERCHANGE
RED WITH BLACK LEAD

				✓ MAX. SURFACE ROUGHNESS UNLESS NOTED OTHERWISE	UNLESS OTHERWISE SPECIFIED DIMENSIONS ARE IN INCHES TOL. ON XX± XXX±.005 XXXX±.0005 ANGLES±			
				MATL SPEC				DRAWN BY CAV 06-18-1999
				FINISH				CHKD BY ML 06-18-1999
5	06-17-1999	REDRAWN	CAV	REFERENCE DRW.	WAUSAU, WISCONSIN 54401			APPD BY GK 06-18-1999
REV	DATE	CHANGE	NAME	PART NAME CONNECTION DIAGRAM				DRWG NO A-102005-51

SHOP BOOK

PURCHASED

DISTRIBUTION - WA - LB - WP - LM - BR

CADD FILE NO.

102005-51

```
ERROR: syntaxerror  
OFFENDING COMMAND: --nostringval--
```

```
STACK:
```

```
/p2e  
-savelevel-
```