

PRODUCT INFORMATION PACKET

Model No: 056C17F2044
Catalog No: G550
1/3,1725,TEFC,56C,1/60/115/208-230 (USE 5KC35MN145)
Totally Enclosed Fan Cooled (TEFC)



Regal and Marathon are trademarks of Regal Beloit Corporation or one of its affiliated companies.
©2019 Regal Beloit Corporation, All Rights Reserved. MC017097E



Nameplate Specifications

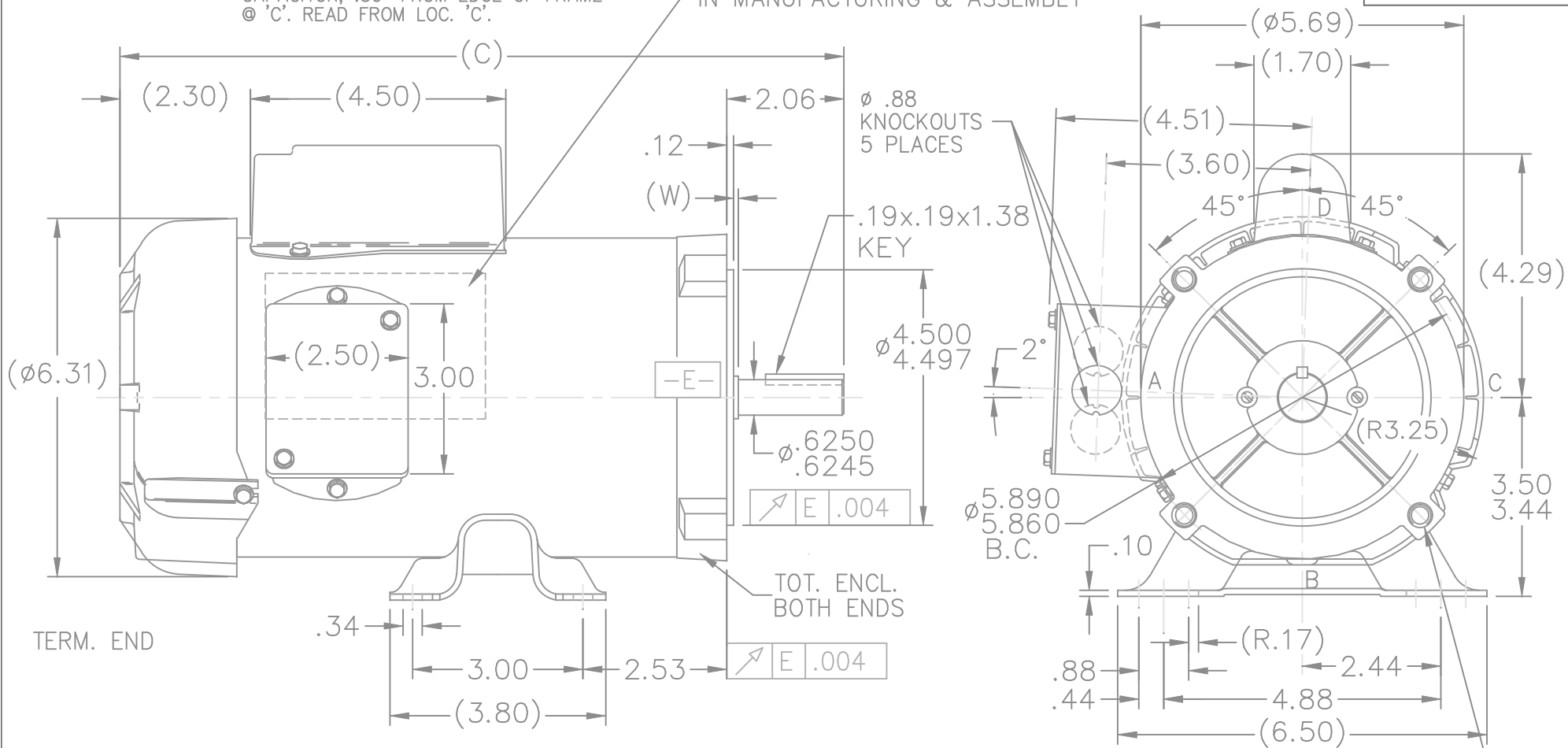
Output HP	0.33 HP	Output KW	0.25 kW
Frequency	60 Hz	Voltage	115/208-230 V
Current	6.0/3.0-3.0 A	Speed	1725 RPM
Service Factor	1.15	Phase	1
Efficiency	61.4 %	Duty	Continuous
Insulation Class	B	Design Code	NO DESIGN CODE
KVA Code	M	Frame	56C
Enclosure	Totally Enclosed Fan Cooled	Overload Protector	No
Ambient Temperature	40 °C	Drive End Bearing Size	6203
Opp Drive End Bearing Size	6203	UL	Recognized
CSA	Y	CE	N
IP Code	43		

Technical Specifications


Electrical Type	Capacitor Start Induction Run	Starting Method	Across The Line
Poles	4	Rotation	Selective Counterclockwise
Mounting	Rigid Base	Motor Orientation	Horizontal
Drive End Bearing	Ball	Opp Drive End Bearing	Ball
Frame Material	Rolled Steel	Shaft Type	NEMA 56
Overall Length	10.44 in	Frame Length	5.50 in
Shaft Diameter	0.625 in	Shaft Extension	1.88 in
Assembly/Box Mounting	F1 ONLY		
Outline Drawing	A-SS75181-550	Connection Diagram	A-EE9023D

NAMEPLATE LOC. .25" BELOW CAPACITOR, .50" FROM EDGE OF FRAME @ 'C'. READ FROM LOC. 'C'.

'W' = CLEARANCE ALLOWED FOR ALL VARIANCES IN MANUFACTURING & ASSEMBLY



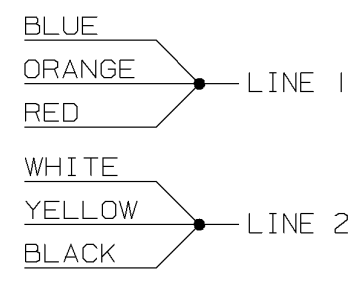
DASH	C	DASH	C
525	10.19	625	11.19
550	10.44		
575	10.69		

				TOLERANCES UNLESS SPECIFIED			DRAWN RM 10/7/1991			
				DEC.	INCHES		CHK ML 10/7/1991			
				.X	±.1		APPD GK 10/7/1991			
2	UPDATED DRAWING	TJW	05/04/2007	.XX	±.03	TITLE OUTLINE		SCALE 3=8		
1	NEW DRAWING 3844711	RM	10/7/1991	.XXX	±.005	MAT'L.		REF		
NO.	REVISION	BY & DATE	CHK	ANG	±7'30"	FINISH		FMF		
THIS DRAWING IN DESIGN AND DETAIL IS OUR PROPERTY AND MUST NOT BE USED EXCEPT IN CONNECTION WITH OUR WORK ALL RIGHTS OF DESIGN AND INVENTION ARE RESERVED THIS IS AN ELECTRONICALLY GENERATED DOCUMENT - DO NOT SCALE THIS PRINT				RFP		CAD FILE	SS75181	SIZE	DRAWING NO. PAGE 1 OF 1	REV.
				DIST	WP			A	SS75181	2

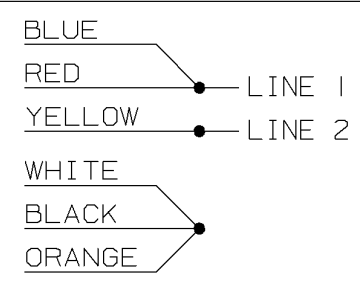
A- EE9023D

DUAL VOLTAGE
CAPACITOR START
NO OVERLOAD
SELECT ROTATION

LOW VOLT. CCW ROT.

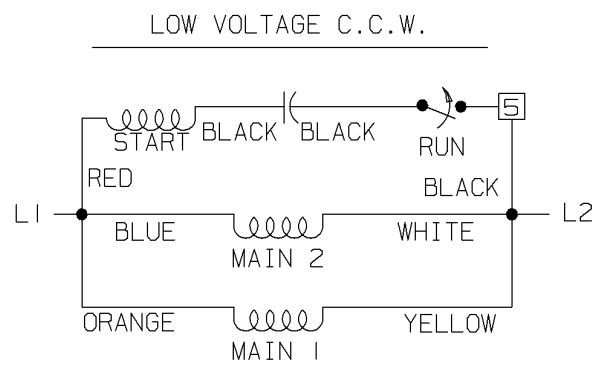


HIGH VOLT. CCW ROT.

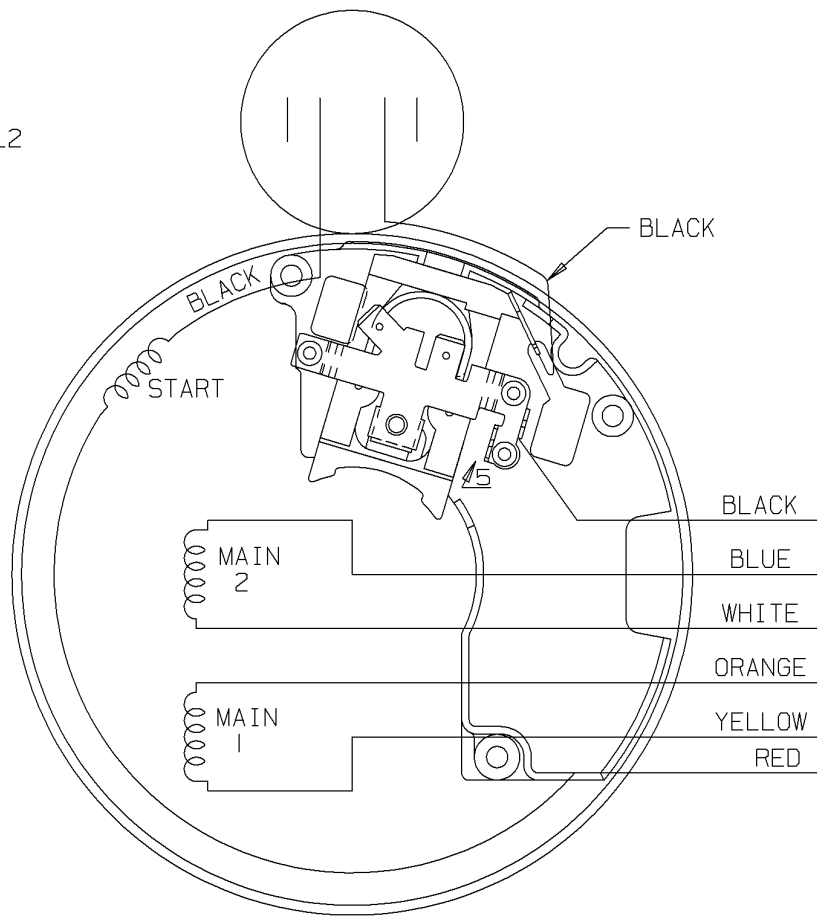
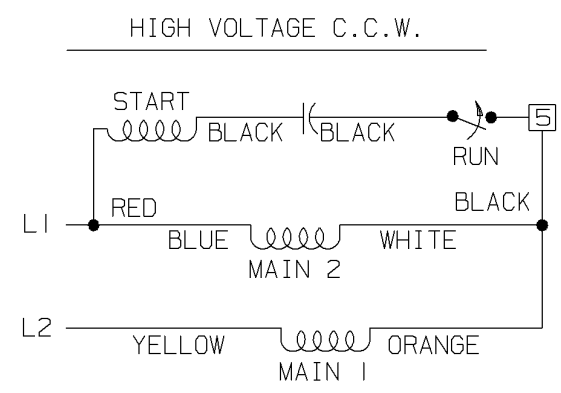


FOR CW ROT. EITHER
VOLTAGE INTERCHANGE
RED WITH BLACK LEAD.

A-S4AF4



START



BLACK
BLUE
WHITE
ORANGE
YELLOW
RED

				✓ MAX. SURFACE ROUGHNESS UNLESS NOTED OTHERWISE		UNLESS OTHERWISE SPECIFIED DIMENSIONS ARE IN INCHES TOL. ON XX± .02 XXX± .005 XXXX± .0005 ANGLES± 7'30"	
				MATL SPEC		DRAWN BY RM 09-26-1991	
				FINISH		CHKD BY ML 09-26-1991	
09-26-1991		NEW DRAWING		RM		APPD BY GK 09-26-1991	
		3844-707		REFERENCE DRW.		WAUSAU, WISCONSIN 54401	
REV		DATE		CHANGE		NAME	
				PART NAME CONNECTION DIAGRAM		DRWG NO A- EE9023D	
		SHOP BOOK		PURCHASED		DISTRIBUTION - WA - LB - WP - LM - BR	
						CADD FILE NO. EE9023D	