

PRODUCT INFORMATION PACKET

Model No: 056C17F2043
Catalog No: G515
1/2,1725,TEFC,56C,1/60/115/208-230 (USE 5KC42GN0018)
Totally Enclosed Fan Cooled (TEFC)



Regal and Marathon are trademarks of Regal Beloit Corporation or one of its affiliated companies.
©2019 Regal Beloit Corporation, All Rights Reserved. MC017097E



Nameplate Specifications

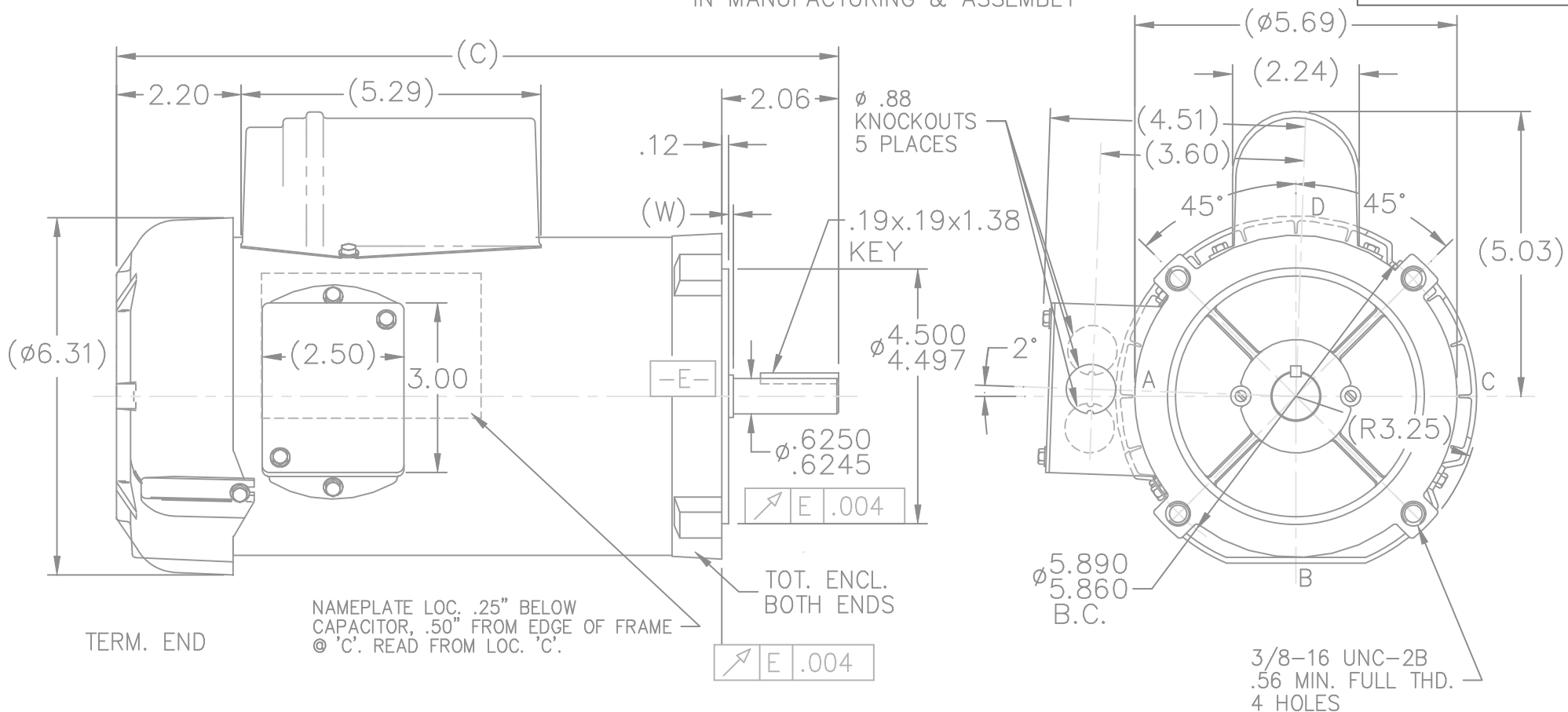
Output HP	0.5 HP	Output KW	0.37 kW
Frequency	60 Hz	Voltage	115/208-230 V
Current	8/4 A	Speed	1725 RPM
Service Factor	1.15	Phase	1
Efficiency	66 %	Duty	CONTINUOUS
Insulation Class	B	Design Code	NO DESIGN CODE
KVA Code	M	Frame	56C
Enclosure	TEFC	Overload Protector	NOT
Ambient Temperature	40 °C	Drive End Bearing Size	6203
Opp Drive End Bearing Size	6203	UL	Recognized
CSA	Y	CE	N
IP Code	43		

Technical Specifications

Electrical Type	CAP START IND RUN	Starting Method	ACROSS THE LINE
Poles	4	Rotation	SELECTIVE CCW
Mounting	ROUND	Motor Orientation	HORIZONTAL
Drive End Bearing	BALL	Opp Drive End Bearing	BALL
Frame Material	ROLLED STEEL	Shaft Type	STANDARD 56
Overall Length	11.19 in	Frame Length	6.25 in
Shaft Diameter	0.63 in	Shaft Extension	2.06 in
Assembly/Box Mounting	F1 ONLY		
Outline Drawing	A-SS75179-625	Connection Diagram	A-EE9023D

'W' = CLEARANCE ALLOWED FOR ALL VARIANCES
IN MANUFACTURING & ASSEMBLY

SS75179



DASH	C	DASH	C	DASH	C
525	10.19	625	11.19	700	11.94
575	10.69	650	11.44	725	12.19
600	10.94	675	11.69		

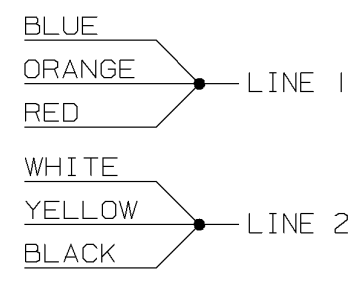
				TOLERANCES UNLESS SPECIFIED		MARATHON ELECTRIC	DRAWN RM 10/2/1991					
				DEC.	INCHES		CHK	ML 10/2/1991				
				.X	±.1	TITLE OUTLINE	APPD	GK 10/2/1991				
3	UPDATED DRAWING	TJW	05/04/2007	.XX	±.03		SCALE	3=8				
2	REVISED NAMEPLATE LOCATION	RM	10/7/1991	.XXX	±.005		REF					
1	NEW DRAWING	3844-710	RM	10/2/1991	.XXXX	±.0005	FMF					
NO.	REVISION	BY & DATE	CHK	ANG	±'	30"	FINISH	PREV				
			RFP				CAD FILE	SS75179	SIZE	DRAWING NO.	PAGE 1 OF 1	REV.
			DIST	WP					A	SS75179		3

THIS DRAWING IN DESIGN AND DETAIL IS OUR PROPERTY AND MUST NOT BE USED EXCEPT
IN CONNECTION WITH OUR WORK ALL RIGHTS OF DESIGN AND INVENTION ARE RESERVED
THIS IS AN ELECTRONICALLY GENERATED DOCUMENT - DO NOT SCALE THIS PRINT

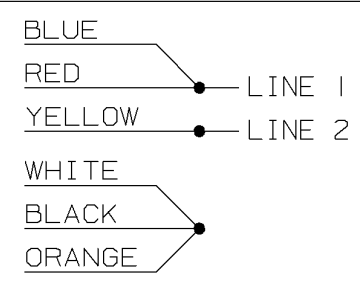
A- EE9023D

DUAL VOLTAGE
CAPACITOR START
NO OVERLOAD
SELECT ROTATION

LOW VOLT. CCW ROT.

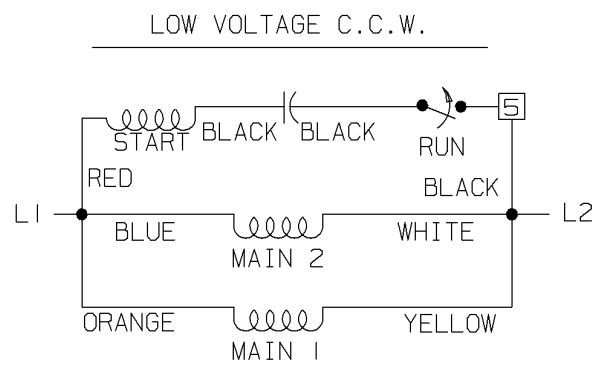


HIGH VOLT. CCW ROT.

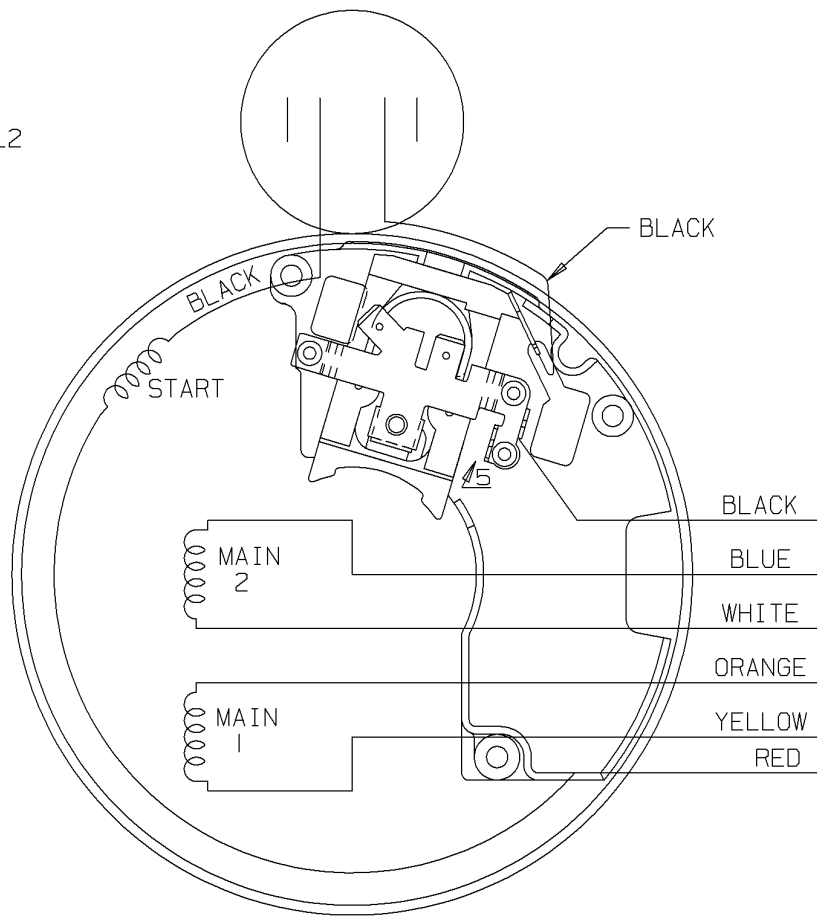
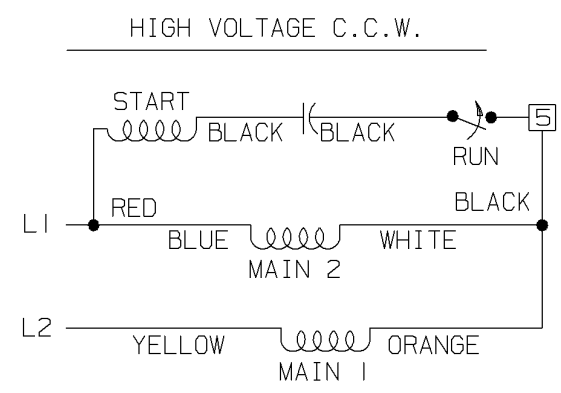


FOR CW ROT. EITHER
VOLTAGE INTERCHANGE
RED WITH BLACK LEAD.

A-S4AF4



START



				✓ MAX. SURFACE ROUGHNESS UNLESS NOTED OTHERWISE		UNLESS OTHERWISE SPECIFIED DIMENSIONS ARE IN INCHES TOL. ON XX± .02 XXX± .005 XXXX± .0005 ANGLES± 7'30"			
				MATL SPEC		DRAWN BY RM		09-26-1991	
				FINISH		CHKD BY ML		09-26-1991	
09-26-1991		NEW DRAWING		RM		APPD BY GK		09-26-1991	
		3844-707		NAME		DRWG NO		A- EE9023D	
REV	DATE	CHANGE		NAME		CONNECTION DIAGRAM		CADD FILE NO. EE9023D	
		SHOP BOOK	PURCHASED	DISTRIBUTION - WA - LB - WP - LM - BR					

CERTIFICATION DATA SHEET

Model#: 56C17F2043 D WINDING#: CE484132 NONE 3
 CONN. DIAGRAM: A-EE9023D ASSEMBLY: F1 ONLY
 OUTLINE: A-SS75179-625

TYPICAL MOTOR PERFORMANCE DATA

HP	KW	SYNC. RPM	F.L. RPM	FRAME	ENCLOSURE	KVA CODE	DESIGN
1/2	.37	1800	1725	56C	TEFC	M	NO DESIGN CODE

PH	Hz	VOLTS	FL AMPS	START TYPE	DUTY	INSL	S.F	AMB°C	ELEVATION
1	60	115/208-230	8/4-4	ACROSS THE LINE	CONTINUOUS	B3	1.15	40	3300

FULL LOAD EFF: 66	3/4 LOAD EFF: 65.2	1/2 LOAD EFF: 60.7	GTD. EFF	ELEC. TYPE	NO LOAD AMPS
FULL LOAD PF: 66	3/4 LOAD PF: 58	1/2 LOAD PF: 46.8	0	CAP START IND RUN	5.1 / 2.6

F.L. TORQUE	LOCKED ROTOR AMPS	L.R. TORQUE	B.D. TORQUE	F.L. RISE°C
24 LB-FT	44 / 22	89 LB-FT -	58.5 LB-FT -	65

SOUND PRESSURE @ 3 FT.	SOUND POWER	ROTOR WK^2	MAX. WK^2	SAFE STALL TIME	STARTS /HOUR	APPROX. MOTOR WGT
0 dBA	10 dBA	0 LB-FT^2	0 LB-FT^2	0 SEC.	0	0 LBS.

*** SUPPLEMENTAL INFORMATION ***

DE BRACKET TYPE	ODE BRACKET TYPE	MOUNT TYPE	ORIENTATION	SEVERE DUTY	HAZARDOUS LOCATION	DRIP COVER	SCREENS	PAINT
C-FACE	BRAKE	ROUND	HORIZONTAL	FALSE	NONE	FALSE	NONE	GRAY (POWDER)

BEARINGS		GREASE	SHAFT TYPE	SPECIAL DE	SPECIAL ODE	SHAFT MATERIAL	FRAME MATERIAL
DE	OPE	POLYREX EM	STANDARD 56	NONE	NONE	1144 STRESSPROOF (C-223)	ROLLED STEEL
BALL	BALL						
6203	6203						

THERMO-PROTECTORS				THERMISTORS	CONTROL	SPACE /n HEATERS
THERMOSTATS	PROTECTORS	WDG RTDs	BRG RTDs			
NONE	NOT	NONE	NONE	NONE	FALSE	NONE VOLTS

If Inverter equals NONE, contact factory for further information

INVERTER TORQUE: NONE
INV. HP SPEED RANGE: NONE
ENCODER: NONE
NONE NONE
NONE NONE PPR
BRAKE: PROVISIONS FOR KIT NONE
NONE P/N NONE
NONE NONE
NONE FT-LB NONE V NONE Hz

*
N
O
T
E
S
*