

PRODUCT INFORMATION PACKET

Model No: 056C17D2085
Catalog No: G230
1/3,1800,DP,56C,1/60/115/208-230
Open Drip Proof (ODP)



Regal and Marathon are trademarks of Regal Beloit Corporation or one of its affiliated companies.
©2019 Regal Beloit Corporation, All Rights Reserved. MC017097E





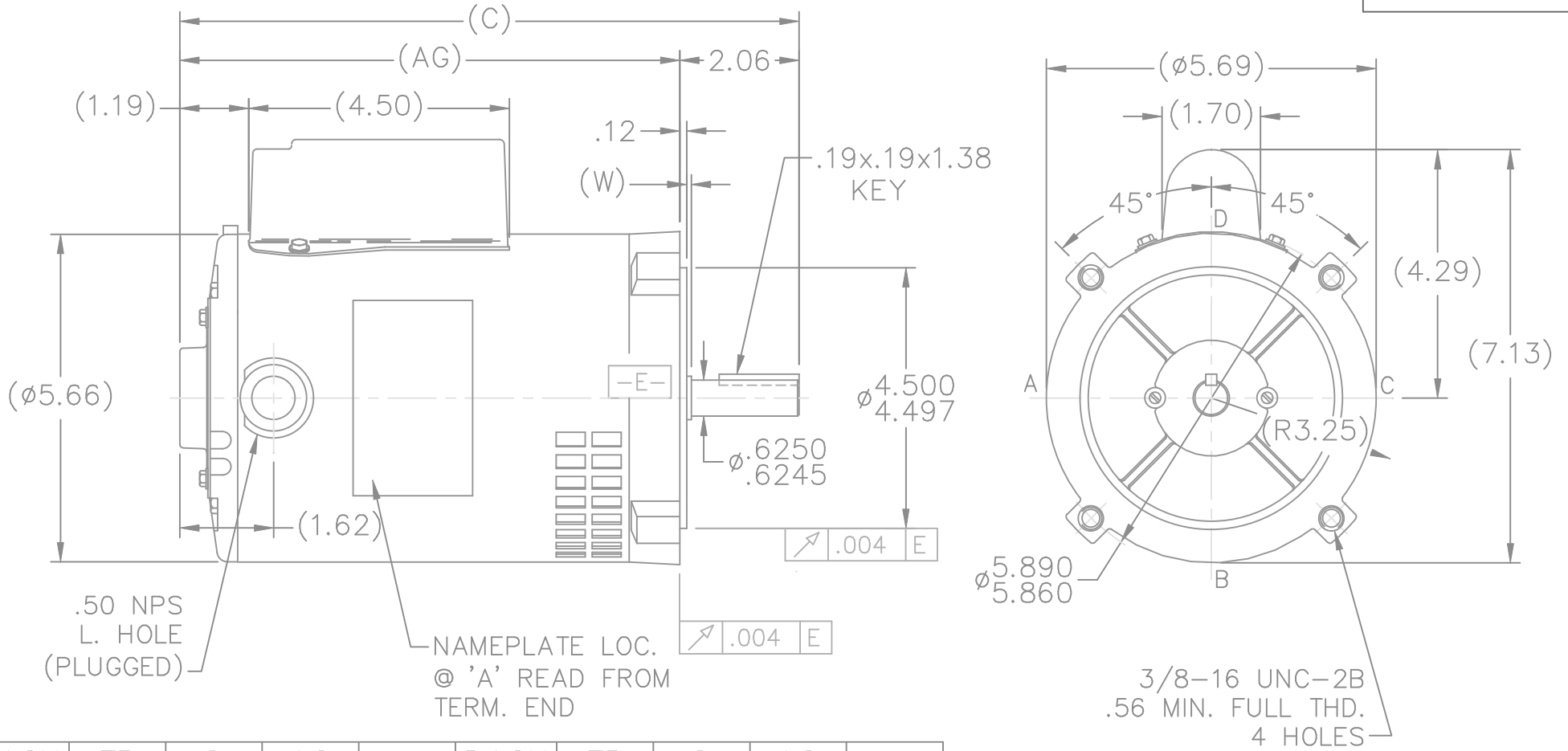
Nameplate Specifications

Output HP	0.33 HP	Output KW	0.25 kW
Frequency	60 Hz	Voltage	115/208-230 V
Current	6.4/3.0-3.2 A	Speed	1725 RPM
Service Factor	1.35	Phase	1
Efficiency	62 %	Duty	Continuous
Insulation Class	B	Design Code	NO DESIGN CODE
KVA Code	L	Frame	56C
Enclosure	Drip Proof	Overload Protector	No
Ambient Temperature	40 °C	Drive End Bearing Size	6203
Opp Drive End Bearing Size	6203	UL	Recognized
CSA	Y	CE	N
IP Code	22		

Technical Specifications

Electrical Type	Capacitor Start Induction Run	Starting Method	Across The Line
Poles	4	Rotation	Selective Counterclockwise
Mounting	Round	Motor Orientation	HORIZONTAL
Drive End Bearing	BALL	Opp Drive End Bearing	BALL
Frame Material	Rolled Steel	Shaft Type	T
Overall Length	10.69 in	Frame Length	6.75 in
Shaft Diameter	0.625 in	Shaft Extension	1.88 in
Assembly/Box Mounting	F1 ONLY		
Outline Drawing	A-SS78896-675	Connection Diagram	A-EE9002E

This is an uncontrolled document once printed or downloaded and is subject to change without notice. Date Created: 10/17/2019

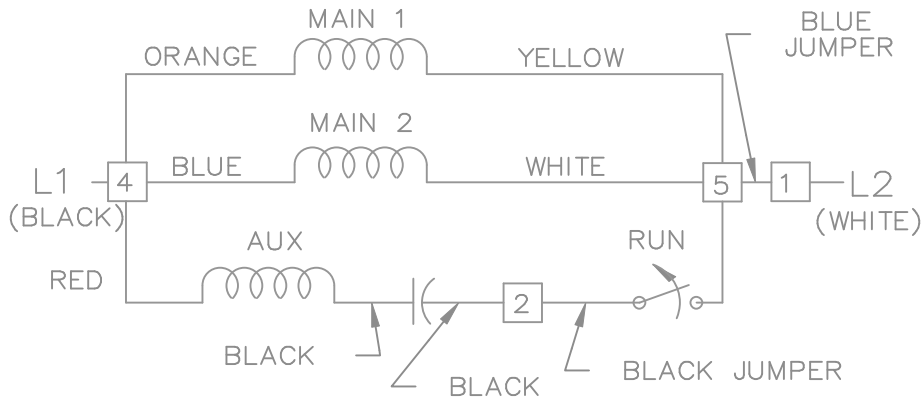


DASH	FR	C	AG		DASH	FR	C	AG
625	48	10.19	8.12		725	48	11.19	9.13
675	48	10.69	8.63		750	48	11.44	9.38
700	48	10.94	8.88		775	48	11.69	9.63
					800	48	11.94	9.88

05-14-1999

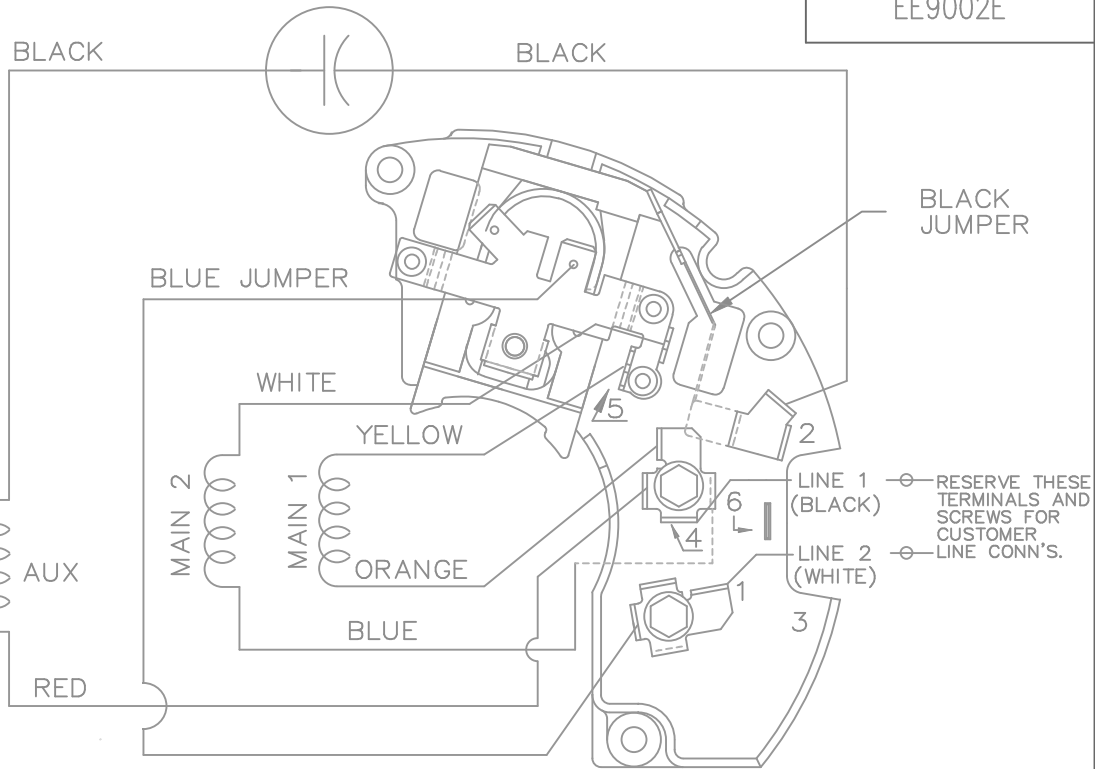
				TOLERANCES UNLESS SPECIFIED		MARATHON ELECTRIC	DRAWN RM 2/19/1992			
				DEC.	INCHES		CHK ML 2/20/1992	APPD TOM 11/28/1994	SCALE 3=8	
11	REMOVED WEEP HOLE	RJW 05-23-2007	ML	.XX	±.03	TITLE OUTLINE	REF			
10	UPDATED DRAWING	TJW 05/11/2007		.XXX	±.005		MAT'L.	FMF		
9	REDRAWN & UPDATED ON CAD 3877535	RM 2/19/1992		.XXXX	±.0005	FINISH	PREV			
NO.	REVISION	BY & DATE	CHK	ANG	±'30"					
			RFP			CAD FILE SS78896	SIZE A	DRAWING NO. SS78896	PAGE 1 OF 1	REV. 11
			DIST WP							

THIS DRAWING IN DESIGN AND DETAIL IS OUR PROPERTY AND MUST NOT BE USED EXCEPT IN CONNECTION WITH OUR WORK ALL RIGHTS OF DESIGN AND INVENTION ARE RESERVED THIS IS AN ELECTRONICALLY GENERATED DOCUMENT - DO NOT SCALE THIS PRINT



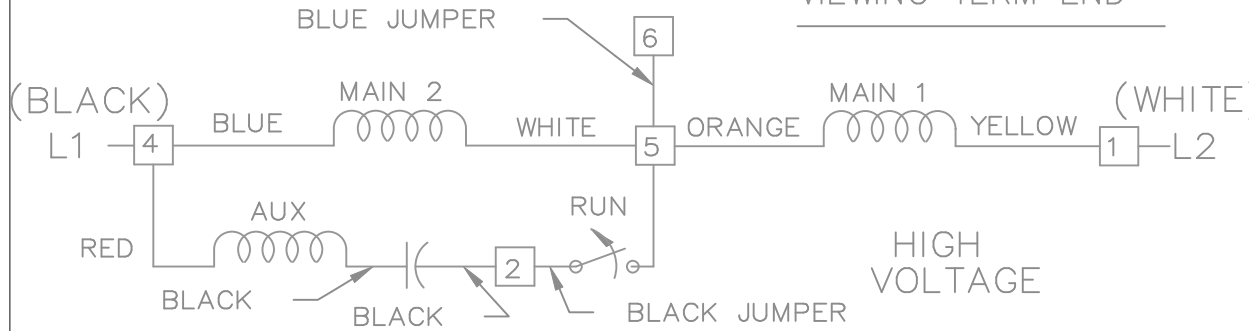
LOW VOLTAGE

DUAL VOLTAGE CAPACITOR START REVERSIBLE ON TERM BOARD NO OVERLOAD PROTECTION



VIEWING TERM END

LOW VOLTAGE CCW ROTATION SHOWN



HIGH VOLTAGE

FOR HIGH VOLTAGE:
CONNECT BLUE TERM 1 TO TERM 6,
CONNECT YELLOW TERM 5 TO TERM 1,
CONNECT ORANGE TERM 4 TO TERM 5.

TO REVERSE ROTATION EITHER VOLTAGE INTERCHANGE RED LEAD WITH BLACK LEAD

		TOLERANCES UNLESS SPECIFIED		MARATHON ELECTRIC		DRAWN ML 02-02-1988			
		DEC.	INCHES			CHK GK 02-15-1988			
05	COLOURS ADDED TO L1,L2	RP	12/10/2008	.X	±.1	APPD DRN 02-24-1988			
04	WHITE LEAD LOCATED UNDER BKY DATE	BLR	09/13/99	.XX	±.02	SCALE 1=1			
	CODE APPR. 6K AND PRIOR CN 28441			.XXX	±.005	REF EE9002E-LE			
03	REVISED LINE 2 LOCATION CN 6427	RM	01/28/1991	.XXXX	±.0005	FMF			
02	ADDED CUSTOMER CONN. NOTE CN 6011	BW	08/03/1989	CHK	ANG ±7'30"	PREV			
NO.	REVISION	BY & DATE	CHK	ANG	FINISH				
THIS DRAWING IN DESIGN AND DETAIL IS OUR PROPERTY AND MUST NOT BE USED EXCEPT IN CONNECTION WITH OUR WORK ALL RIGHTS OF DESIGN AND INVENTION ARE RESERVED THIS IS AN ELECTRONICALLY GENERATED DOCUMENT - DO NOT SCALE THIS PRINT			RFP		CAD FILE EE9002E	SIZE A	DRAWING NO. EE9002E	PAGE OF	REV. 05
			DIST	WP					