

PRODUCT INFORMATION PACKET

Model No: 056B17F5300
Catalog No: G376
(USE 5KCR48WN0273) 1-1/2, 1725, TEFC, 56H, 1/60/115/208-230
Totally Enclosed Fan Cooled (TEFC)



Regal and Marathon are trademarks of Regal Beloit Corporation or one of its affiliated companies.
©2019 Regal Beloit Corporation, All Rights Reserved. MC017097E

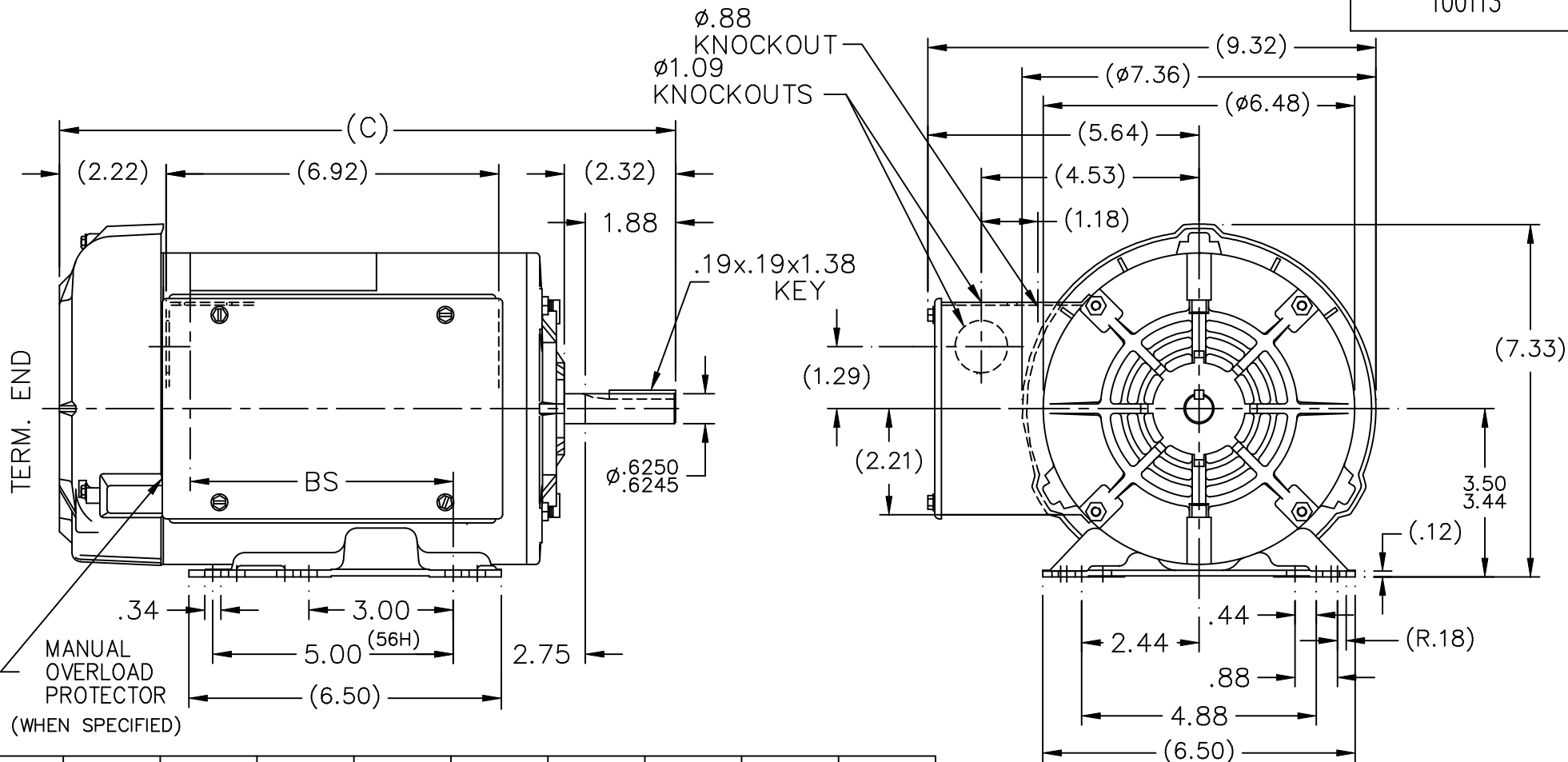


Nameplate Specifications

Output HP	1.50 HP	Output KW	1.1 kW
Frequency	60 Hz	Voltage	115/208-230 V
Current	15.2/8.2-7.6 A	Speed	1725 RPM
Service Factor	1.15	Phase	1
Efficiency	80 %	Duty	Continuous
Insulation Class	B	Design Code	N
KVA Code	J	Frame	56H
Enclosure	Totally Enclosed Fan Cooled	Overload Protector	No
Ambient Temperature	40 °C	Drive End Bearing Size	6203
Opp Drive End Bearing Size	6203	UL	Recognized
CSA	Y	CE	Y
IP Code	43		

Technical Specifications

Electrical Type	Capacitor Start Capacitor Run	Starting Method	Across The Line
Poles	4	Rotation	Selective Counterclockwise
Mounting	Rigid Base	Motor Orientation	Horizontal
Drive End Bearing	Ball	Opp Drive End Bearing	Ball
Frame Material	Rolled Steel	Shaft Type	NEMA 56
Overall Length	13.82 in	Frame Length	8.56 in
Shaft Diameter	0.625 in	Shaft Extension	2.32 in
Assembly/Box Mounting	F1 ONLY		
Outline Drawing	A-100113-856	Connection Diagram	102006-51

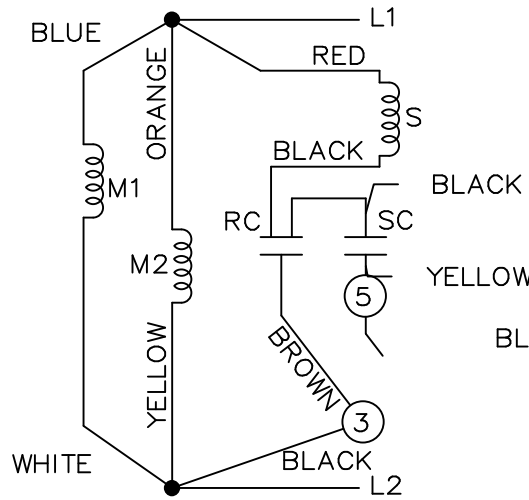


DASH	FR.	C	BS		DASH	FR.	C	BS
756	56-75	12.82	5.14		956	56-95	14.82	7.14
806	56-80	13.32	5.64					
856	56-85	13.82	6.14					
906	56-90	14.32	6.64					

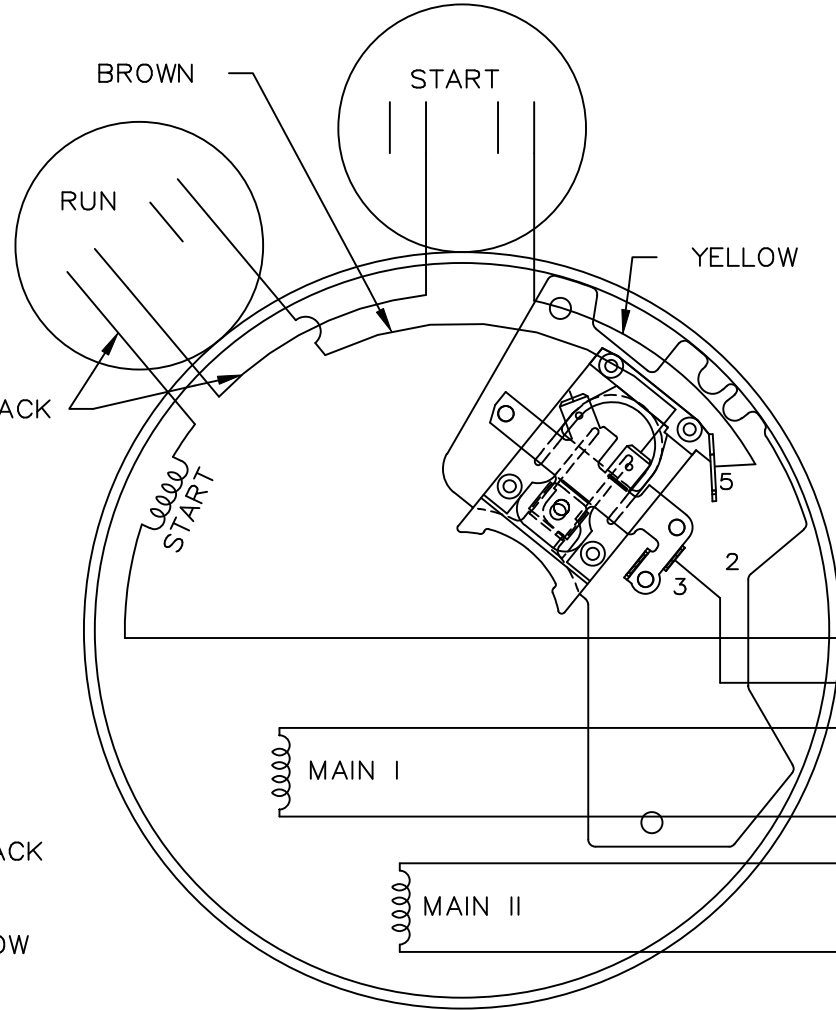
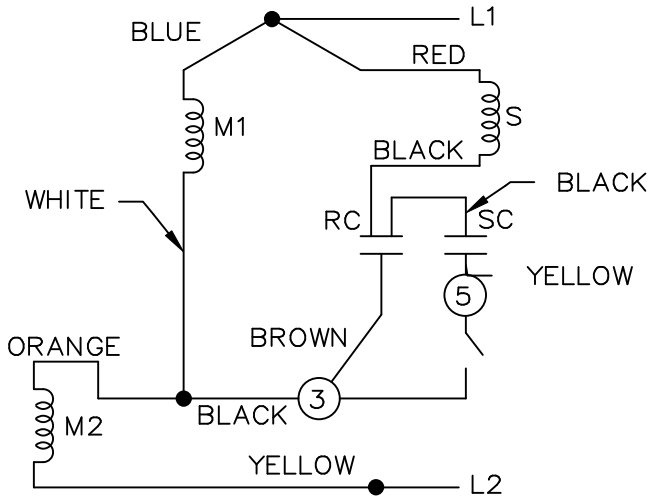
NOTES:
1. NAMEPLATE TO BE READ FROM CONDUIT BOX SIDE OF MOTOR.

		TOLERANCES UNLESS SPECIFIED		MARATHON ELECTRIC	DRAWN MRB 03-27-1998	
		DEC.	INCHES		CHK	ML 03-30-1998
		.X	$\pm .1$	TITLE OUTLINE 56 FR. - BB - 1 ϕ - TEFC	APPD GK 03-30-1998	
		.XX	$\pm .03$		SCALE 5=16	
		.XXX	$\pm .005$		REF	
		.XXXX	$\pm .0005$		FMF	
3	REDRAWN ON CADD - NO CHANGE	MRB 03-30-1998	.XXXX $\pm .0005$	MAT'L.	PREV	
NO.	REVISION	BY & DATE	CHK ANG $\pm 7'30''$	FINISH		
THIS DRAWING IN DESIGN AND DETAIL IS OUR PROPERTY AND MUST NOT BE USED EXCEPT IN CONNECTION WITH OUR WORK ALL RIGHTS OF DESIGN AND INVENTION ARE RESERVED THIS IS AN ELECTRONICALLY GENERATED DOCUMENT - DO NOT SCALE THIS PRINT				RFP	CAD FILE 100113	SIZE A
				DIST WP	DRAWING NO. 100113	PAGE OF 3
						REV. 3

LOW VOLTAGE C.C.W.

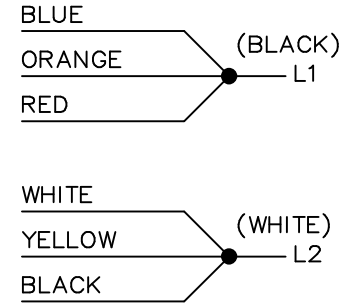


HIGH VOLTAGE C.C.W.

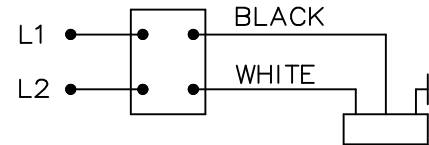
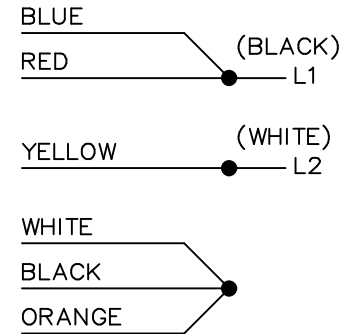


DUAL VOLTAGE CAPACITOR
START-CAP RUN NO OVERLOAD
SELECT ROTATION

LOW VOLTAGE C.C.W. ROTATION



HIGH VOLTAGE C.C.W. ROTATION



FOR C.W. ROTATION,
EITHER VOLTAGE,
INTERCHANGE RED WITH
BLACK LEAD

			TOLERANCES UNLESS SPECIFIED		MARATHON ELECTRIC	DRAWN DT 06-07-1996	
			DEC.	INCHES		CHK	MRB 06-16-1996
			.X	±.1	TITLE CONNECTION DIAGRAM	APPD	GK 06-16-1996
			.XX	±.02		SCALE	5=8
9	ADDED CORD AND SWITCH VIEW MU37521	DRS 06-22-2001	.XXX	±.005		REF	
8	REDRAWN ON CADD	DT 06-16-1996	.XXXX	±.0005		FMF	
NO.	REVISION	BY & DATE	CHK	ANG	FINISH	PREV	
THIS DRAWING IN DESIGN AND DETAIL IS OUR PROPERTY AND MUST NOT BE USED EXCEPT IN CONNECTION WITH OUR WORK ALL RIGHTS OF DESIGN AND INVENTION ARE RESERVED THIS IS AN ELECTRONICALLY GENERATED DOCUMENT - DO NOT SCALE THIS PRINT			RFP		CAD FILE 102006-51	SIZE	DRAWING NO. PAGE OF REV.
			DIST	WP		A	102006-51 9