

PRODUCT INFORMATION PACKET

Model No: 048T17F2000
Catalog No: K420
(USE 5K32GN30) 1/4,1725,TEFC,48,3/60/208-230/460
Totally Enclosed Fan Cooled (TEFC)



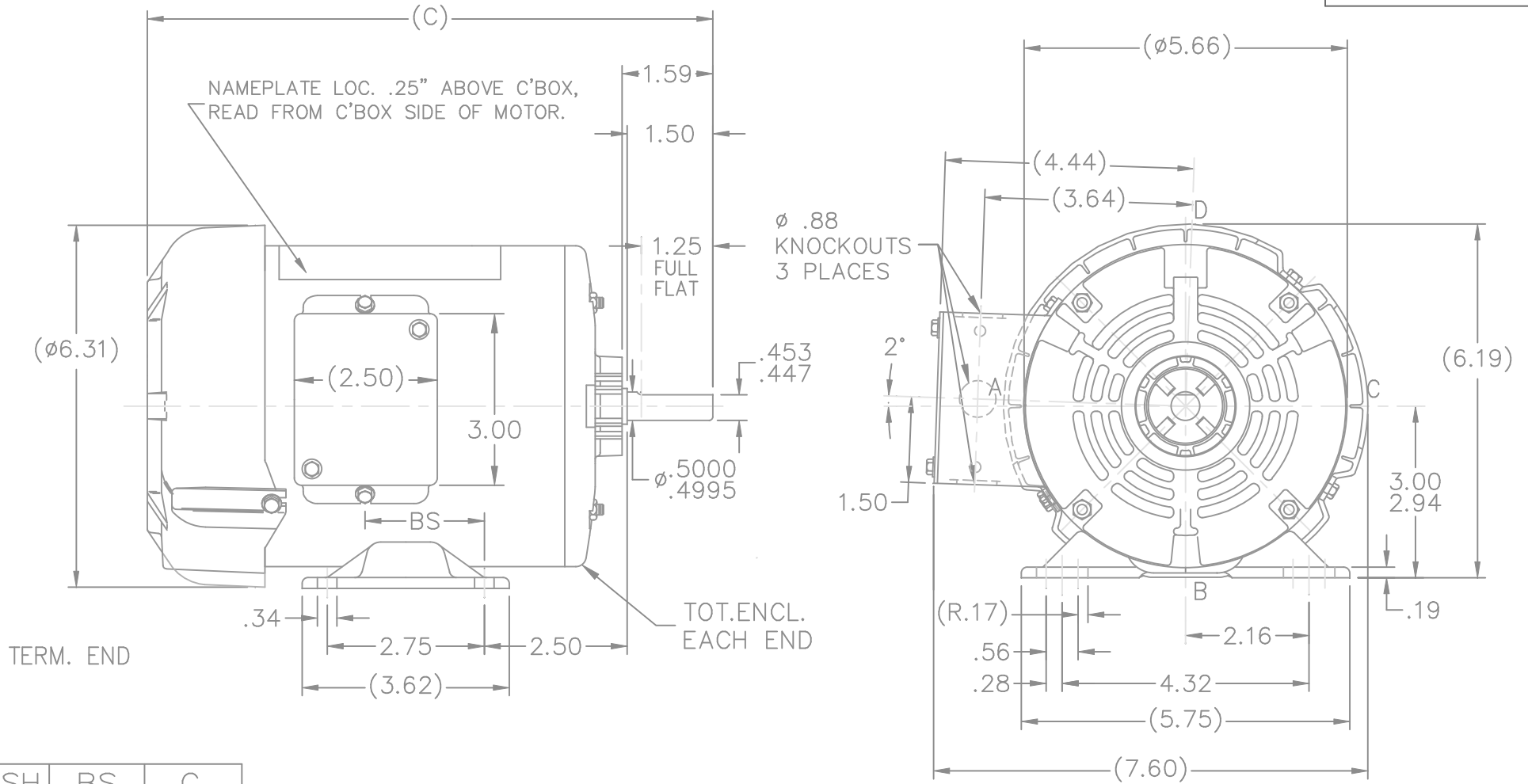
Regal and Marathon are trademarks of Regal Beloit Corporation or one of its affiliated companies.
©2019 Regal Beloit Corporation, All Rights Reserved. MC017097E

Nameplate Specifications

Output HP	0.25 HP	Output KW	0.19 kW
Frequency	60 Hz	Voltage	208-230/460 V
Current	1.2-1.3/0.65 A	Speed	1725 RPM
Service Factor	1.15	Phase	3
Efficiency	62 %	Duty	CONTINUOUS
Insulation Class	B	Design Code	B
KVA Code	M	Frame	48
Enclosure	TEFC	Overload Protector	NOT
Ambient Temperature	40 °C	Drive End Bearing Size	6203
Opp Drive End Bearing Size	6203	UL	Recognized
CSA	Y	CE	Y
IP Code	43		

Technical Specifications

Electrical Type	SQ CAGE IND RUN	Starting Method	ACROSS THE LINE
Poles	4	Rotation	REV
Mounting	RIGID	Motor Orientation	HORIZONTAL
Drive End Bearing	BALL	Opp Drive End Bearing	BALL
Frame Material	ROLLED STEEL	Shaft Type	STANDARD 48
Overall Length	9.59 in	Frame Length	5 in
Shaft Diameter	0.5 in	Shaft Extension	1.59 in
Assembly/Box Mounting	F1 ONLY		
Outline Drawing	A-SS400134-500	Connection Diagram	A-EE7308



DASH	BS	C
500	1.83	9.59
525	2.08	9.84
575	2.33	10.34

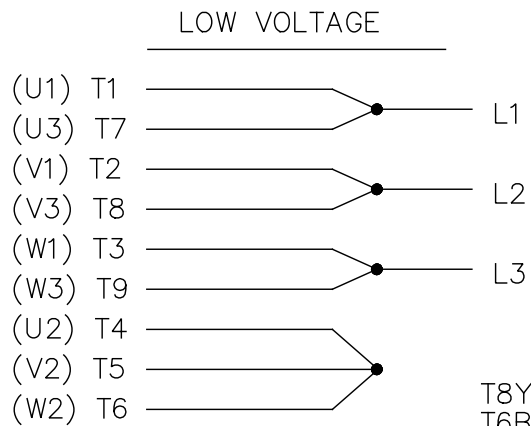
NO.	REVISION	BY & DATE	CHK	ANG	TOLERANCES UNLESS SPECIFIED
7	UPDATED CONDUIT BOX PER CN39440-6	TJW			
6	ADDED BS DIMENSION	TAT 10-18-2004	ML	DEC.	INCHES
5	ADDED DASH -575 PER MU61618	CTO 09-02-2004	MJS	.X	±.1
4	REDRAWN IN AUTOCAD	TAT 06-29-2004	ML	.XX	±.03
3	UPDATED TO NEW STYLE BRACKET VENTS MU38091	NJS 07-12-2001		.XXX	±.005
2	NAMEPLATE WAS .25 FROM EDGE OF FRAME MU31863	MSG 06-29-2000		.XXXX	±.0005
					±7'30"

	DRAWN BR 07-14-1995 CHK DA 07-17-1995 APPD SAT 07-17-1995 SCALE 3=8 REF FMF PREV
	TITLE OUTLINE MAT'L. FINISH

THIS DRAWING IN DESIGN AND DETAIL IS OUR PROPERTY AND MUST NOT BE USED EXCEPT IN CONNECTION WITH OUR WORK ALL RIGHTS OF DESIGN AND INVENTION ARE RESERVED THIS IS AN ELECTRONICALLY GENERATED DOCUMENT - DO NOT SCALE THIS PRINT	RFP	CAD FILE ss400134	SIZE	DRAWING NO. SS400134	PAGE OF	REV. 7
	DIST WP		A			

EE7308

THREE PHASE
DUAL VOLTAGE MOTOR



VIEW OF TERMINAL END

REF.
WINDING DIAGRAM

T8Y, T2Y, T2BL, T4BX, T2EC, T2G
T6BZ, T2B, T6BL, T4AV, T6B, T4B

OPTIONAL CORD
CONNECTION

L1 — WHITE
L2 — RED
L3 — BLACK

NO.	REVISION	BY & DATE	CHK	ANG	TOLERANCES UNLESS SPECIFIED		FINISH	DRAWN RM 11/20/1990				
					DEC.	INCHES						
5	CHG TO REGAL LOGO	SL 09/10/2015	AB					CHK ML 11/21/1990				
4	REVISED IEC NOTATIONS	MSG 11/15/2011	CMN	.X	±.1			APPD SAS 04/24/2003				
3	ADDED IEC NOTATIONS... (U1), (V1) ETC. MU95194	MSG 5/10/2010	MJS	.XX	±.02			SCALE 1=1				
2	ADDED THE OPTIONAL CORD CONNECTION MU46318	RDH 04/24/2003	DRS	.XXX	±.005		TITLE CONNECTION DIAGRAM 3Ø - DUAL VOLTAGE MOTOR	REF				
1	REDRAWN	RM 11/20/1990		.XXXX	±.0005		MAT'L.	FMF				
					±7'30"			PREV				
THIS DRAWING IN DESIGN AND DETAIL IS OUR PROPERTY AND MUST NOT BE USED EXCEPT IN CONNECTION WITH OUR WORK ALL RIGHTS OF DESIGN AND INVENTION ARE RESERVED THIS IS AN ELECTRONICALLY GENERATED DOCUMENT - DO NOT SCALE THIS PRINT							RFP	CAD FILE ee7308	SIZE A	DRAWING NO. EE7308	PAGE OF 5	REV. 5
							DIST WP					

