

# PRODUCT INFORMATION PACKET

Model No: 048C17D2034  
Catalog No: G078  
1/4, 1800, DP, 48, 1/60/115/208-230  
Open Drip Proof (ODP)



Regal and Marathon are trademarks of Regal Beloit Corporation or one of its affiliated companies.  
©2019 Regal Beloit Corporation, All Rights Reserved. MC017097E





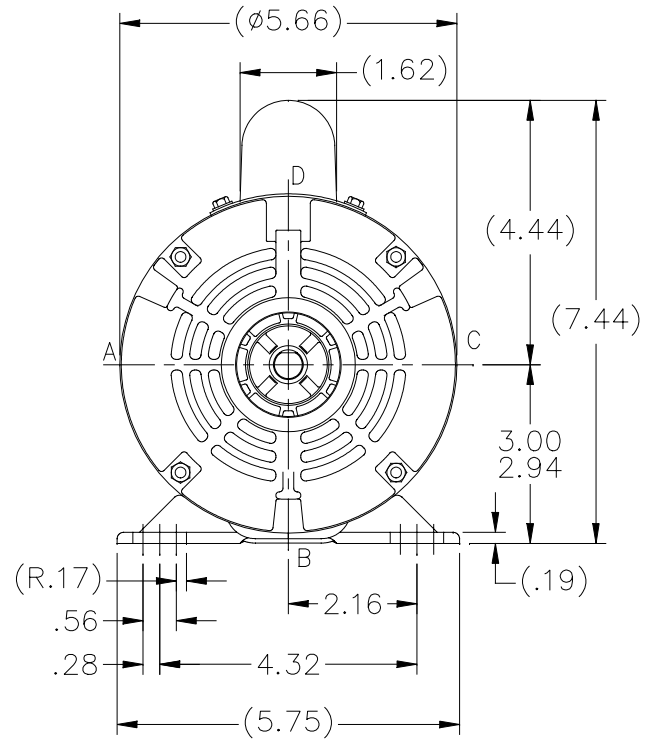
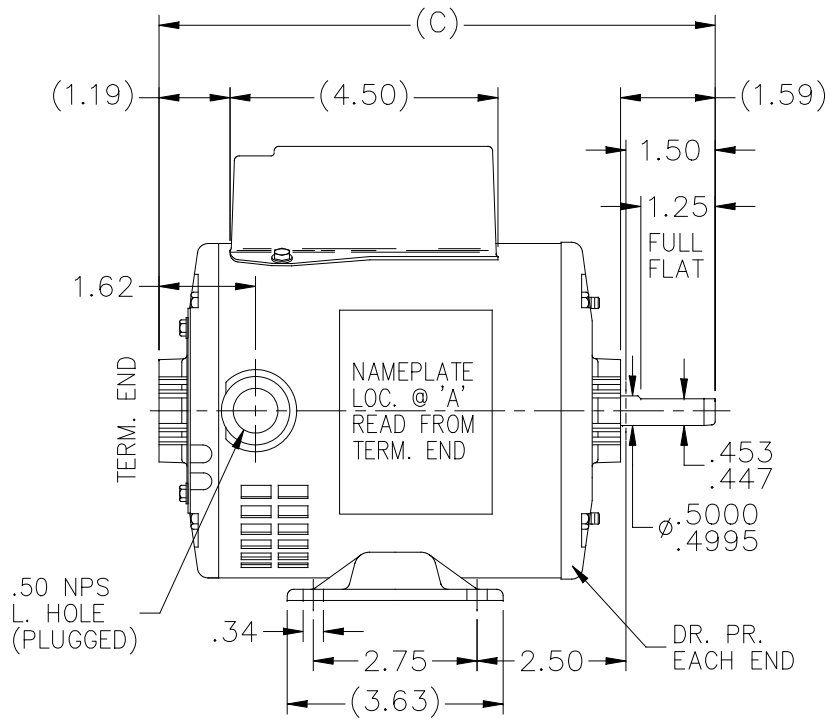
### Nameplate Specifications

Output HP	<b>.25 HP</b>	Output KW	<b>0.19 kW</b>
Frequency	<b>60 Hz</b>	Voltage	<b>115/208-230 V</b>
Current	<b>5/2.3-2.5 A</b>	Speed	<b>1725 RPM</b>
Service Factor	<b>1.35</b>	Phase	<b>1</b>
Efficiency	<b>59.5 %</b>	Duty	<b>CONTINUOUS</b>
Insulation Class	<b>B</b>	Design Code	<b>NO DESIGN CODE</b>
KVA Code	<b>N</b>	Frame	<b>48</b>
Enclosure	<b>DP</b>	Overload Protector	<b>MANUAL</b>
Ambient Temperature	<b>40 °C</b>	Drive End Bearing Size	<b>6203</b>
Opp Drive End Bearing Size	<b>6203</b>	UL	<b>Recognized</b>
CSA	<b>Y</b>	CE	<b>N</b>
IP Code	<b>22</b>		

### Technical Specifications

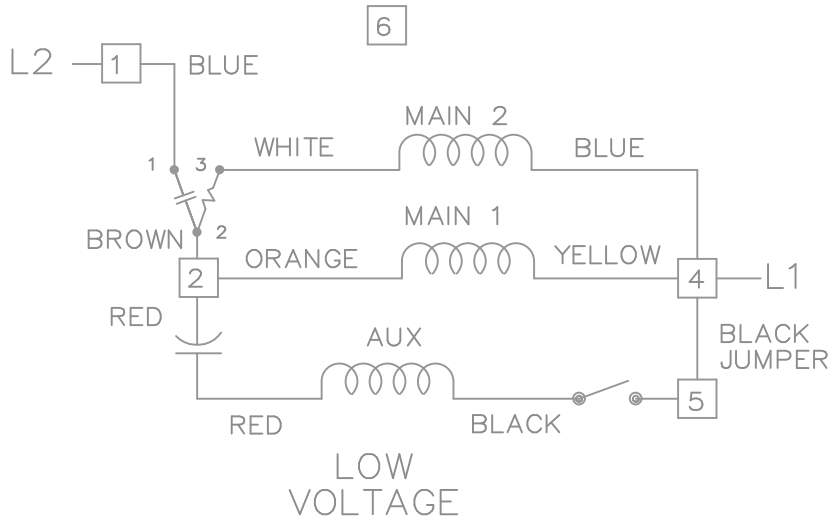
Electrical Type	<b>CAP START IND RUN</b>	Starting Method	<b>ACROSS THE LINE</b>
Poles	<b>4</b>	Rotation	<b>SELECTIVE CCW</b>
Mounting	<b>RIGID</b>	Motor Orientation	<b>HORIZONTAL</b>
Drive End Bearing	<b>BALL</b>	Opp Drive End Bearing	<b>BALL</b>
Frame Material	<b>ROLLED STEEL</b>	Shaft Type	<b>STANDARD 48</b>
Overall Length	<b>9.84 in</b>	Frame Length	<b>6.25 in</b>
Shaft Diameter	<b>.5 in</b>	Shaft Extension	<b>1.59 in</b>
Assembly/Box Mounting	<b>F1 ONLY</b>		
Outline Drawing	<b>A-SS78783-625</b>	Connection Diagram	<b>A-EE9002M</b>

SS78783

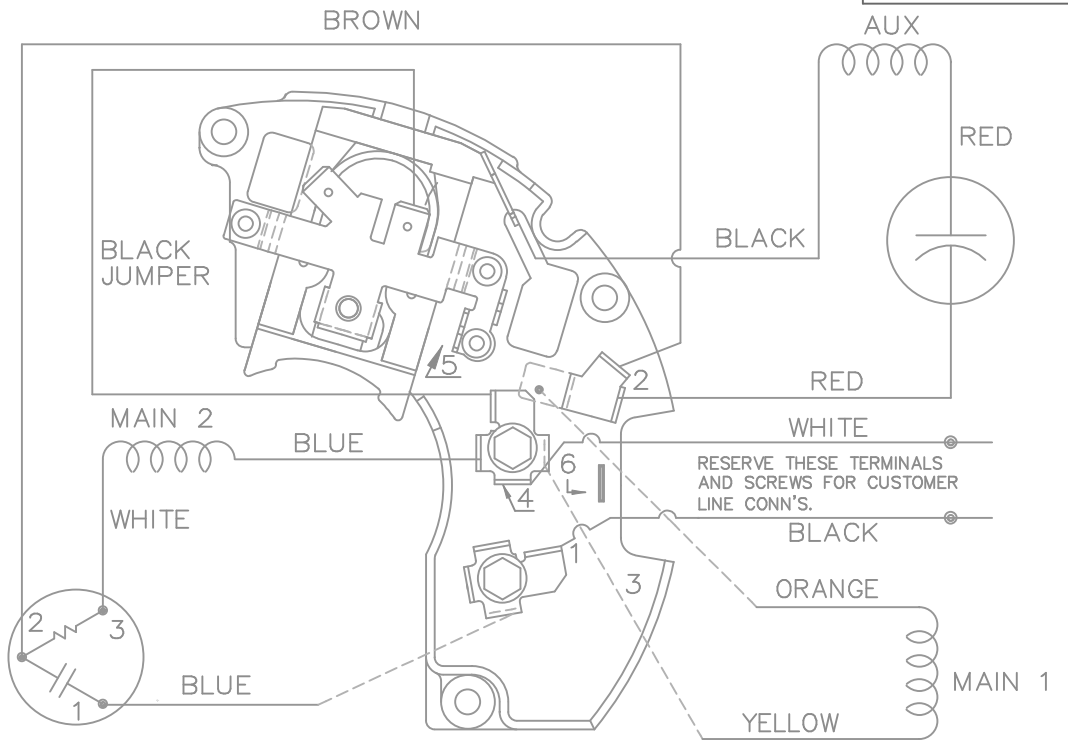


DASH	FRAME	C
575	48	9.34
625	48	9.84

			TOLERANCES UNLESS SPECIFIED			DRAWN MRB 3/10/1998	
			DEC.	INCHES		CHK ML 4/1/1998	APPD GK 4/1/1998
			.X	±.1			
6	UPDATED SHAFT EXTENSION	UD 03/08/2019	.XX	±.03	TITLE OUTLINE		SCALE 3=8
5	UPDATED DRAWING	TJW 05/11/2007	.XXX	±.005			REF
4	REDRAWN ON CADD - NO CHANGE	MRB 4/1/1998	.XXXX	±.0005	MAT'L.		FMF
NO.	REVISION	BY & DATE	CHK	ANG	±7'30"	FINISH	PREV
THIS DRAWING IN DESIGN AND DETAIL IS OUR PROPERTY AND MUST NOT BE USED EXCEPT IN CONNECTION WITH OUR WORK ALL RIGHTS OF DESIGN AND INVENTION ARE RESERVED THIS IS AN ELECTRONICALLY GENERATED DOCUMENT - DO NOT SCALE THIS PRINT			RFP	CAD FILE SS78783		SIZE A	DRAWING NO. PAGE 1 OF 1 REV. SS78783 5
			DIST	WP			

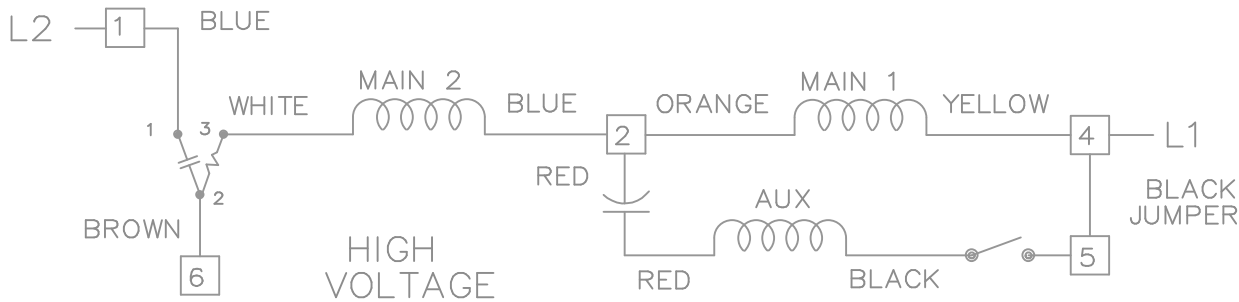


DUAL VOLTAGE CAPACITOR START REVERSIBLE ON TERM BOARD WITH OVERLOAD PROTECTION



VIEWING TERM END

LOW VOLTAGE CCW ROTATION SHOWN.



FOR HIGH VOLTAGE CONNECT BROWN TERM 2 TO TERM 6. CONNECT BLUE TERM 4 TO TERM 2.

TO REVERSE ROTATION EITHER VOLTAGE INTERCHANGE RED LEAD WITH BLACK LEAD.

				TOLERANCES UNLESS SPECIFIED		MARATHON ELECTRIC	DRAWN BW 02-22-1990					
				DEC.	INCHES		CHK	ML	02-22-1990			
				.X	± -	TITLE CONNECTION DIAGRAM 48 FR. DUAL VOLTAGE REVERSIBLE	APPD	GK	02-22-1990	SCALE	1=1	
3	ROUTING OF BLACK JUMPER	CN 35440	BJK 08-20-2002	.XX	± -		MAT'L.	REF				
2	REVISED BLACK LINE LOCATION	CN 6427	RM 01-28-1991	.XXX	± -		FINISH	FMF				
1	NEW DRAWING		BW 02-22-1990	.XXXX	± -		PREV					
NO.	REVISION		BY & DATE	CHK	ANG	± -						
THIS DRAWING IN DESIGN AND DETAIL IS OUR PROPERTY AND MUST NOT BE USED EXCEPT IN CONNECTION WITH OUR WORK ALL RIGHTS OF DESIGN AND INVENTION ARE RESERVED THIS IS AN ELECTRONICALLY GENERATED DOCUMENT - DO NOT SCALE THIS PRINT				RFP	CAD FILE EE9002M			SIZE	DRAWING NO.	PAGE	OF	REV.
				DIST	WP				A	EE9002M		3

CERTIFICATION DATA SHEET

Model#: 48C17D2034 M WINDING#: CE48463 NONE 3
CONN. DIAGRAM: A-EE9002M ASSEMBLY: F1 ONLY
OUTLINE: A-SS78783-625

TYPICAL MOTOR PERFORMANCE DATA

Table with 8 columns: HP, KW, SYNC. RPM, F.L. RPM, FRAME, ENCLOSURE, KVA CODE, DESIGN. Values: 1/4, 0.19, 1800, 1725, 48, DP, N, NO DESIGN CODE

Table with 10 columns: PH, Hz, VOLTS, FL AMPS, START TYPE, DUTY, INSL, S.F, AMB°C, ELEVATION. Values: 1, 60, 115/208-230, 5/2.3-2.5, ACROSS THE LINE, CONTINUOUS, B3, 1.35, 40, 3300

Table with 7 columns: FULL LOAD EFF: 59.5, 3/4 LOAD EFF: 55.5, 1/2 LOAD EFF: 45, GTD. EFF, ELEC. TYPE, NO LOAD AMPS. Values: 59.5, 55.5, 45, 0, CAP START IND RUN, 4 / 2

Table with 5 columns: F.L. TORQUE, LOCKED ROTOR AMPS, L.R. TORQUE, B.D. TORQUE, F.L. RISE°C. Values: 12 LB-FT, 25.4 / 12.7, 46.2 LB-FT 385, 35.6 LB-FT 297, 30

Table with 6 columns: SOUND PRESSURE @ 3 FT., SOUND POWER, ROTOR WK^2, MAX. WK^2, SAFE STALL TIME, APPROX. MOTOR WGT. Values: 0 dBA, 10 dBA, 0 LB-FT^2, 0 LB-FT^2, 0 SEC., 0 LBS.

\*\*\* SUPPLEMENTAL INFORMATION \*\*\*

Table with 9 columns: DE BRACKET TYPE, ODE BRACKET TYPE, MOUNT TYPE, ORIENTATION, SEVERE DUTY, HAZARDOUS LOCATION, DRIP COVER, SCREENS, PAINT. Values: STANDARD, STANDARD, RIGID, HORIZONTAL, FALSE, NONE, FALSE, NONE, GRAY (POWDER)

Table with 8 columns: BEARINGS (DE, OPE), GREASE, SHAFT TYPE, SPECIAL DE, SPECIAL ODE, SHAFT MATERIAL, FRAME MATERIAL. Values: BALL, BALL, MULTEMP SRL, STANDARD 48, NONE, NONE, 1144 STRESSPROOF (C-223), ROLLED STEEL

Table with 7 columns: THERMO-PROTECTORS (THERMOSTATS, PROTECTORS, WDG RTDs, BRG RTDs), THERMISTORS, CONTROL, SPACE /n HEATERS. Values: NONE, MANUAL, NONE, NONE, NONE, FALSE, NONE VOLTS

If Inverter equals NONE, contact factory for further information

Table with 2 columns: Inverter related parameters. Values: INVERTER TORQUE: NONE, INV. HP SPEED RANGE: NONE, ENCODER: NONE, BRAKE: NONE

\* N O T E S \*

DATE: 06/28/2017 06:17:44 AM
FORM 3531 REV.3 02/07/99
\*\* Subject to change without notice.