

Browning[®]

marathon[™]
Motors



ROTATING BIOLOGICAL CONTACTOR DRIVES

DRIVE SOLUTIONS FOR THE WASTEWATER TREATMENT INDUSTRY

REGAL[™]

RBC DRIVES FEATURES & RATINGS

Water Treatment Maintenance Superintendents, Design Engineers and Consultants agree...

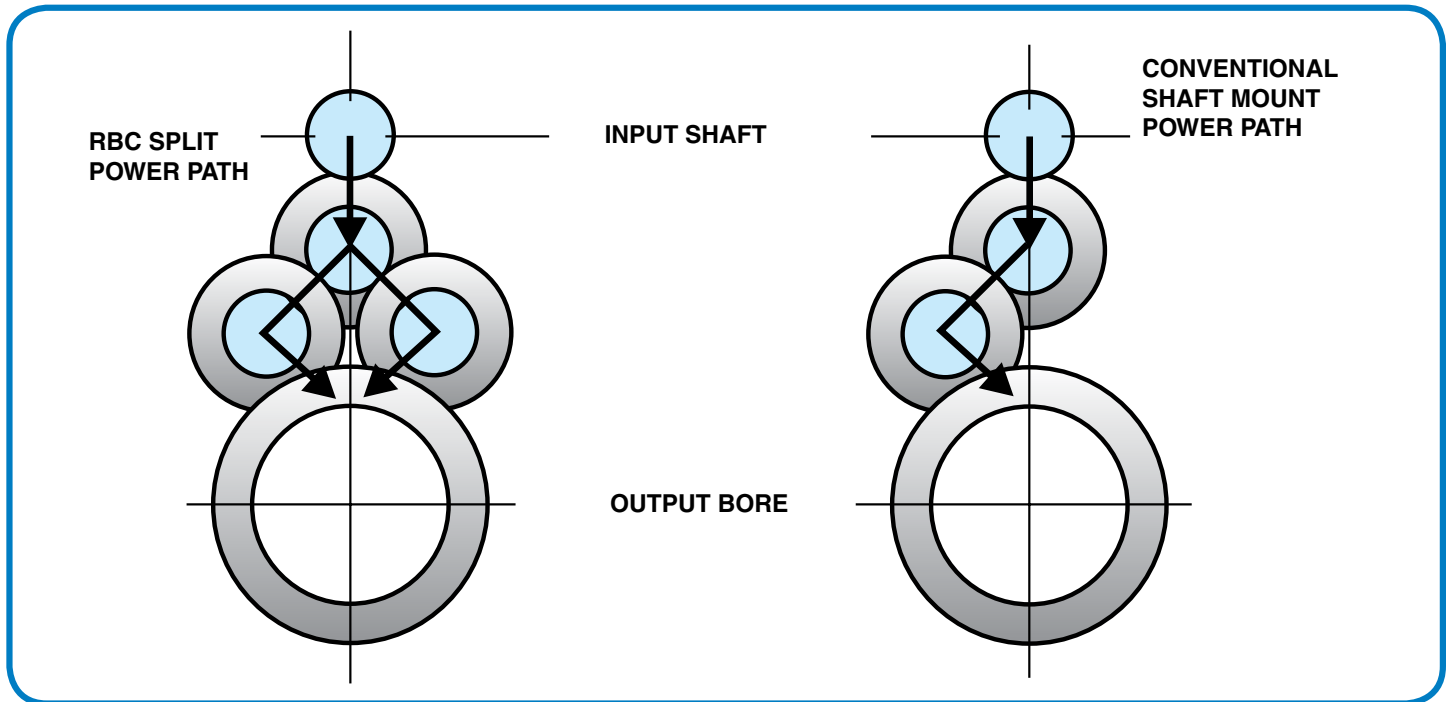
Browning® products meet all your needs for Rotating Biological Contactor drives.

Specify the BROWNING solution on your next RBC installation or retrofit.



SUPERIOR RBC DRIVE SOLUTIONS

BUILT RUGGED AND DEPENDABLE FOR MINIMAL MAINTENANCE AND DOWNTIME



- **SPLIT POWER PATH DESIGN**

Provides twice the tooth engagement when compared to conventional drives

- **LEAK FREE OPERATION**

Plunge Ground Shafts with dual lip oil seals

- **HIGH QUALITY BEARINGS**

100,000 Hour B-10 life at 5HP Class II Service

- **GENEROUS SHAFT DIAMETERS**

Support overhung loads generated by V-Belt drive assembly

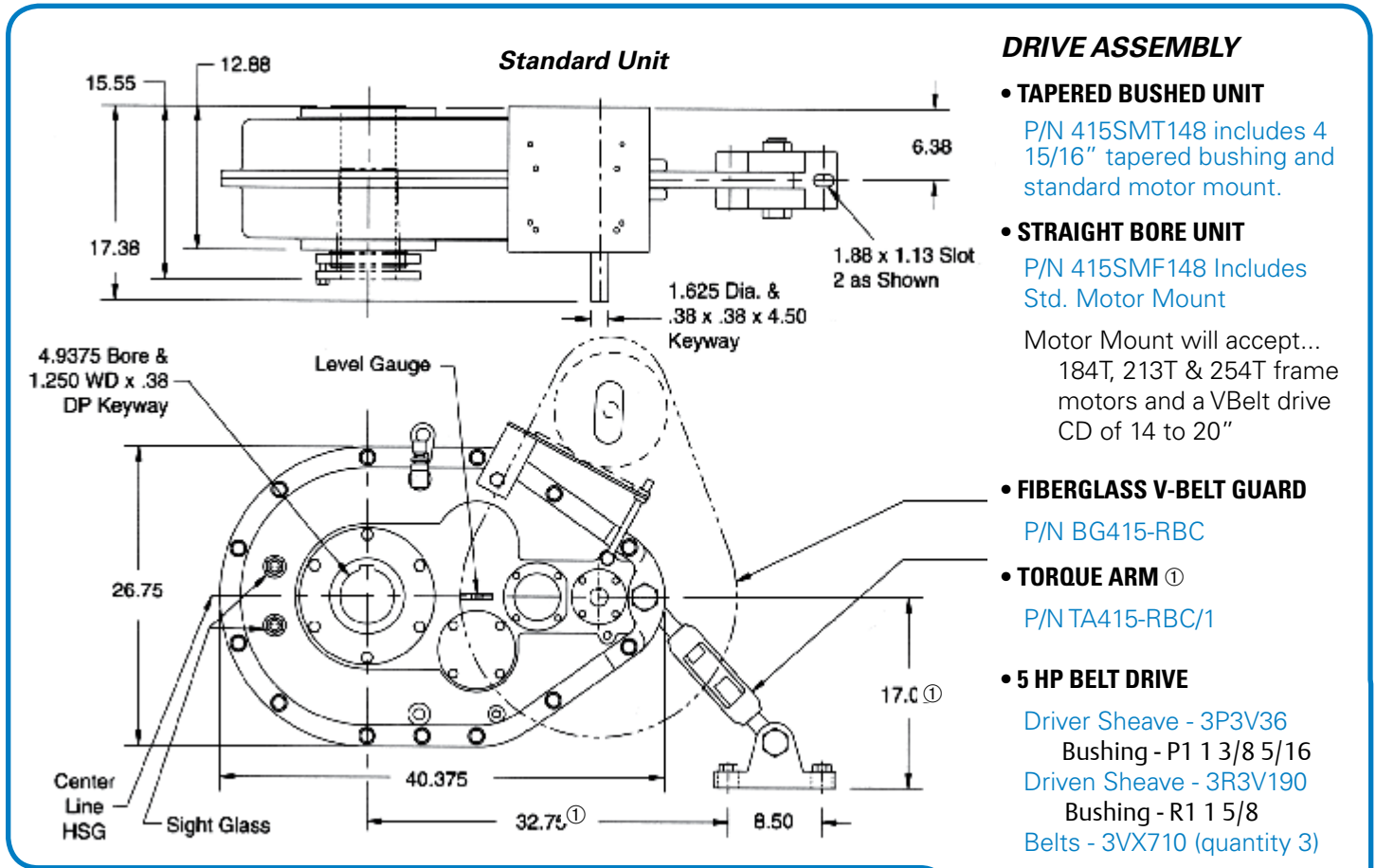
BROWNING RBC DRIVE RATINGS					
MOTOR HP/RPM	AGMA SERVICE FACTOR	V-BELT DRIVE RATIO	GEAR DRIVE RATIO	FINAL OUTPUT SPEED	FINAL OUTPUT TORQUE RATING
5/1150	Class II	5.2:1	148:1	1.5 RPM	199,600 in./lbs.
7.5/1150	Class I	5.2:1	148:1	1.5 RPM	297,400 in/lbs

RBC DRIVES DIMENSIONS

- COMPACT DESIGN AND DROP-IN FEATURES ALLOW FOR QUICK REPLACEMENT OF PROBLEM DRIVES**

Universal housings allow for left or right-hand installations

Reducer, Belt Guard, Torque Arm, Belt Drive and Motor are to be ordered separately



DRIVE ASSEMBLY

- TAPERED BUSHED UNIT**
P/N 415SMT148 includes 4 15/16" tapered bushing and standard motor mount.
- STRAIGHT BORE UNIT**
P/N 415SMF148 Includes Std. Motor Mount
Motor Mount will accept... 184T, 213T & 254T frame motors and a VBelt drive CD of 14 to 20"

- FIBERGLASS V-BELT GUARD**

P/N BG415-RBC

- TORQUE ARM ①**

P/N TA415-RBC/1

- 5 HP BELT DRIVE**

Driver Sheave - 3P3V36
Bushing - P1 1 3/8 5/16
Driven Sheave - 3R3V190
Bushing - R1 1 5/8
Belts - 3VX710 (quantity 3)

- 7.5 HP BELT DRIVE**

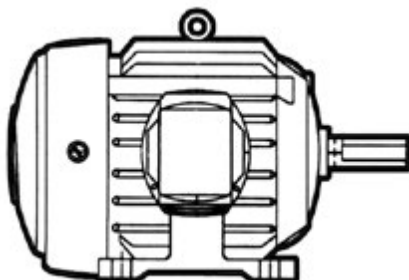
Driver Sheave - 4P3V36
Bushing - P1 1 5/8
Driven Sheave - 4R3V190
Bushing - R1 1 5/8
Belts - 3VX710 (quantity 4)

① If torque arm arrangement is longer than 32.75" in the horizontal, or smaller than 17.00" in the vertical dimension, consult Emerson Industrial Automation Application Engineering.



- SEVERE DUTY TOTALLY ENCLOSED FAN COOLED MOTORS**

Designed for Waste Water Treatment Plant Operation



- NEMA Premium Efficient TEFC
- Cast Iron Frames
- Hostile-Duty Paint
- Stainless Steel Nameplates

5 HP/1150 RPM 215T Frame P/N 215TTFS6881

7.5 HP/1150 RPM 254T Frame P/N 254TTFNA6590

Browning[®]

marathon[™]
Motors

Regal Power Transmission Solutions

7120 New Buffington Road
Florence, KY 41042

Customer Service: 800-626-2120

Fax: 800-262-3292

Technical Service: 800-626-2093

www.RegalPTS.com

APPLICATION CONSIDERATIONS

The proper selection and application of power transmission products and components, including the related area of product safety, is the responsibility of the customer. Operating and performance requirements and potential associated issues will vary appreciably depending upon the use and application of such products and components. The scope of the technical and application information included in this publication is necessarily limited. Unusual operating environments and conditions, lubrication requirements, loading supports, and other factors can materially affect the application and operating results of the products and components and the customer should carefully review its requirements. Any technical advice or review furnished by Regal Beloit America, Inc. and its affiliates with respect to the use of products and components is given in good faith and without charge, and Regal assumes no obligation or liability for the advice given, or results obtained, all such advice and review being given and accepted at customer's risk.

For a copy of our Standard Terms and Conditions of Sale, Disclaimers of Warranty, Limitation of Liability and Remedy, please contact Customer Service at 1-800-626-2120. These terms and conditions of sale, disclaimers and limitations of liability apply to any person who may buy, acquire or use a Regal Beloit America Inc. product referred to herein, including any person who buys from a licensed distributor of these branded products.

Browning, Marathon and Regal are trademarks of Regal Beloit Corporation or one of its affiliated companies.

©2016 Regal Beloit Corporation, All Rights Reserved. MCB16052E • Form# 9592E • Printed in USA

REGAL[™]